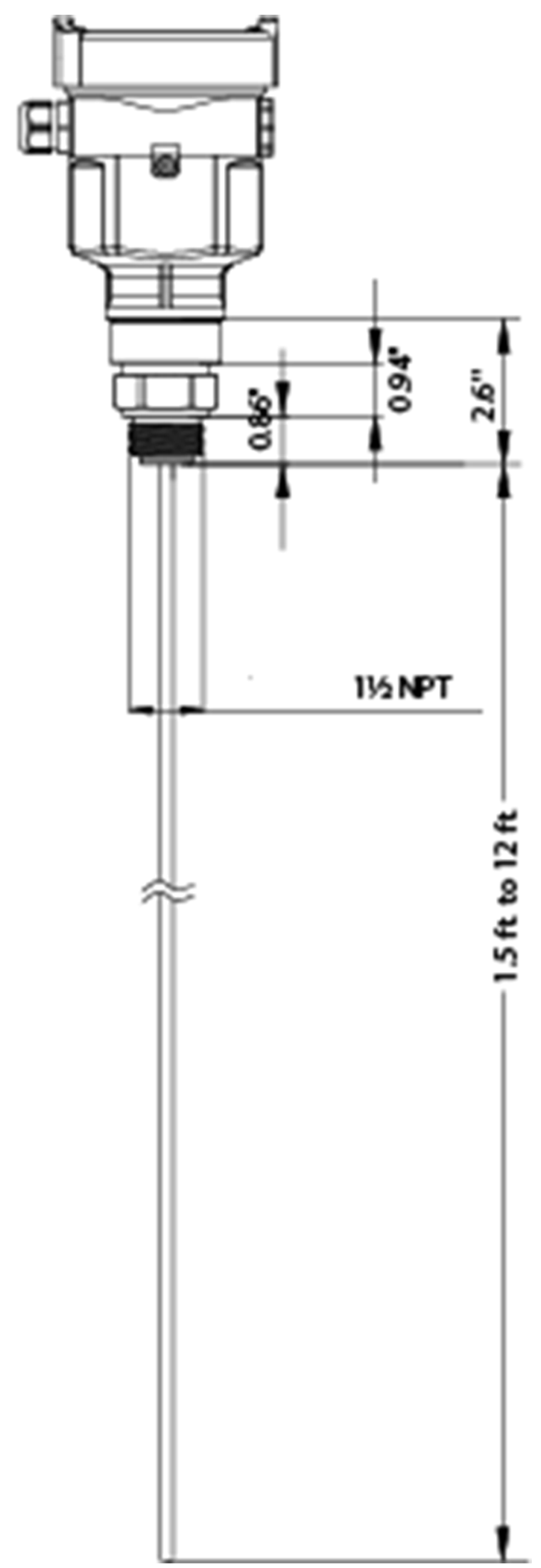
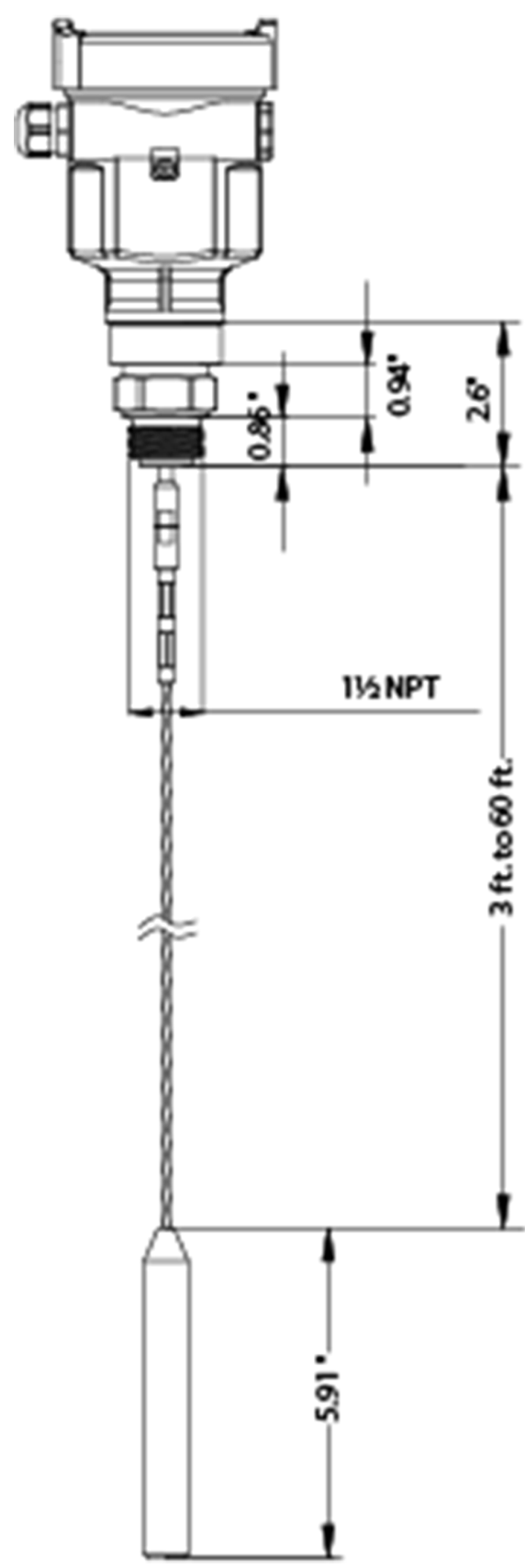
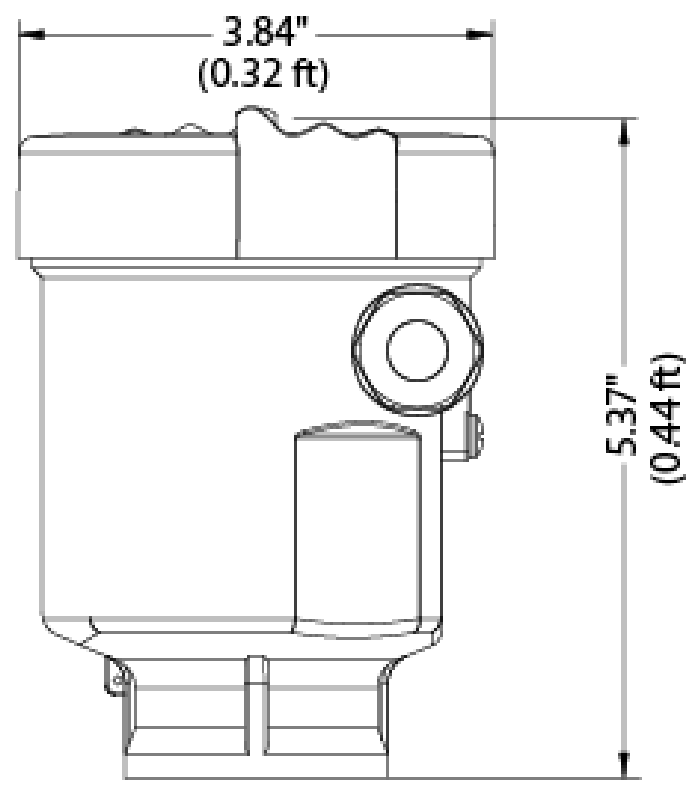
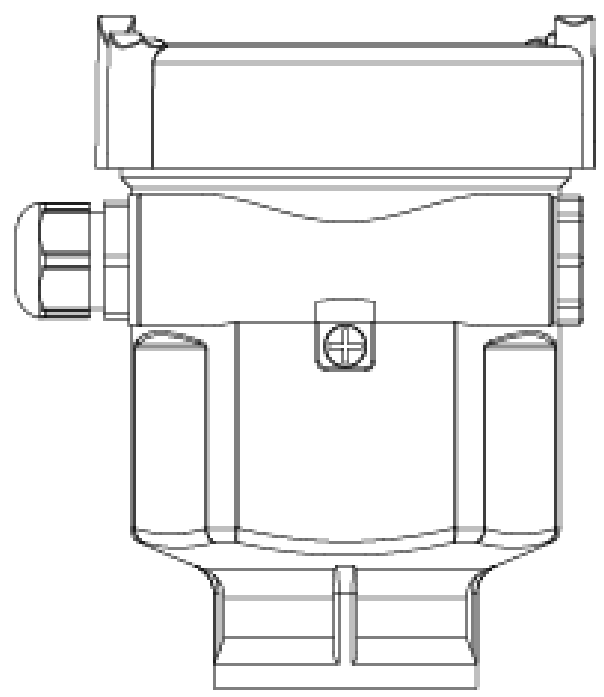


H G F E D C B A

4

4



3

3

2

2

1

1

		DATE:	NAME:	MATERIAL:
		DWN BY:	Tek-Flex 4100C	FINISH:
		CHKD:		796 Tek Drive Crystal Lake, IL 60014 USA
		APPD:		FR.NO.
NO.	CHANGES	BY/DATE		01

NOTICE: This drawing and the principles and elements of design embodied therein are the exclusive property of TEKMATIION LLC. and are not to be communication, disclosed, reproduced or used except as previously authorized in writing by such corporation and must not be submitted to outside parties for examination without the written consent of said corporation.

H G F E D C B A