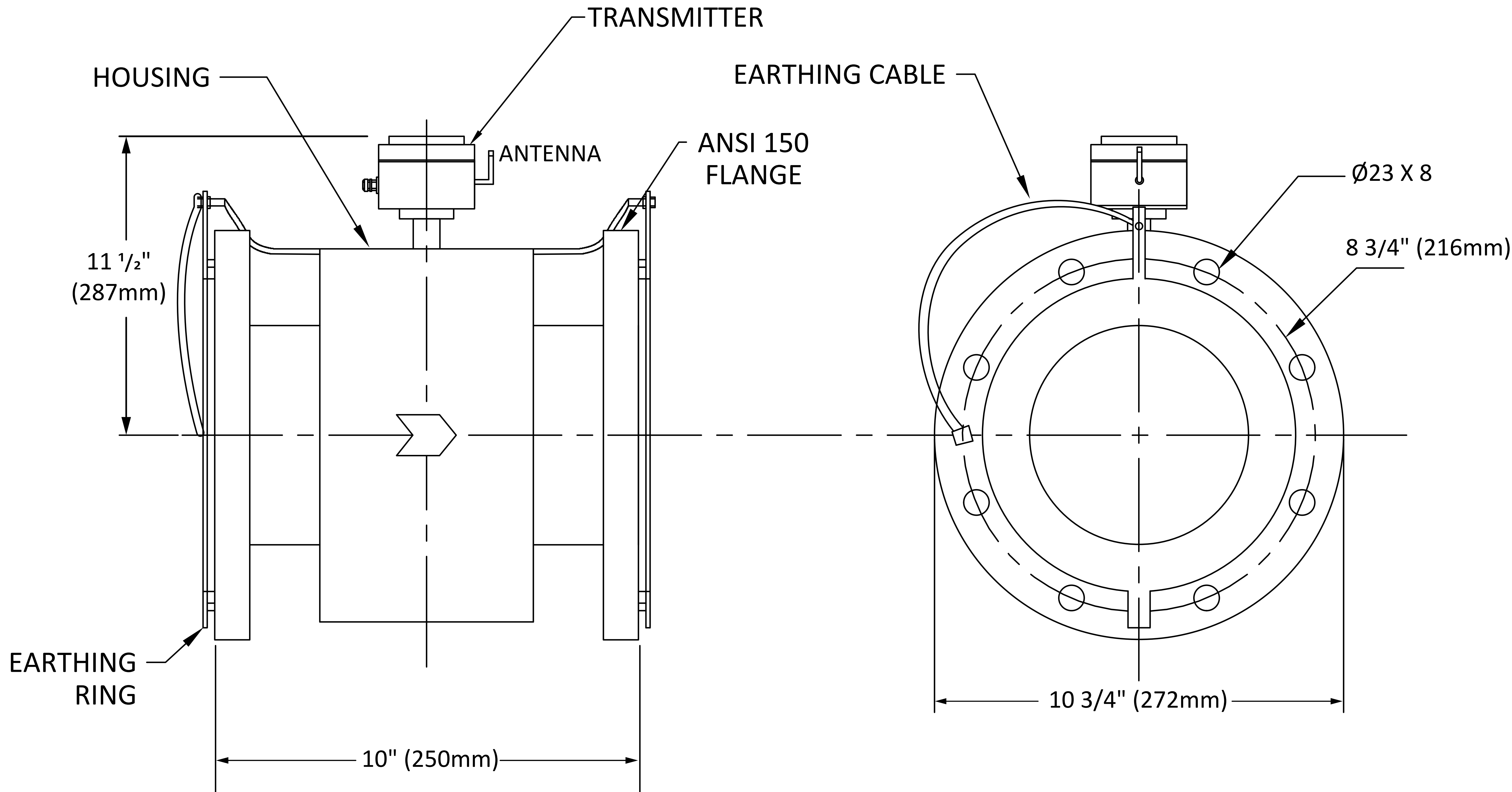


1 2 3 4 5 6 7 8 9 10 11 12 13 14 15 16

A
B
C
D
E
F
G
H
I
J
K
L



CUSTOMER :		ANGLE: $\oplus \ominus$	SCALE: 1:1	SIZE: A1	REV: 00
CUSTOMER DWG NO :		TEKTROL Tek-Trol LLC			
P.O.NO :	S.O.NO :	TITLE: Tek-Flux 1400C			
PROJECT NAME :		DR.: JST	30 DEC 2020	DRAWING NO.:	
		APP'D: KNU	30 DEC 2020	1400C-GA-01	
Drawing is not Certified,Certified drawing are available on request. Dimensions are nominal and may be vary slightly the actual product.			PRODUCT CODE: 1400	SHEET: 1 OF 1	