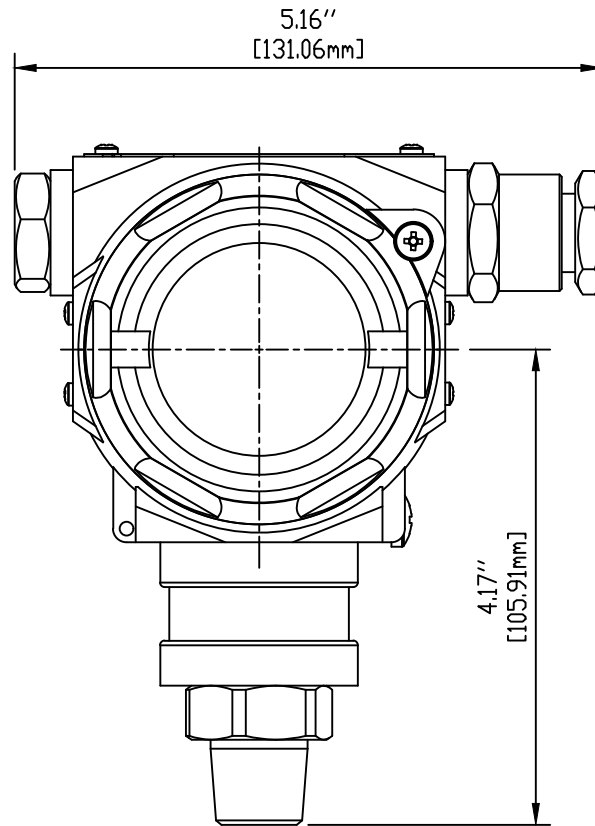


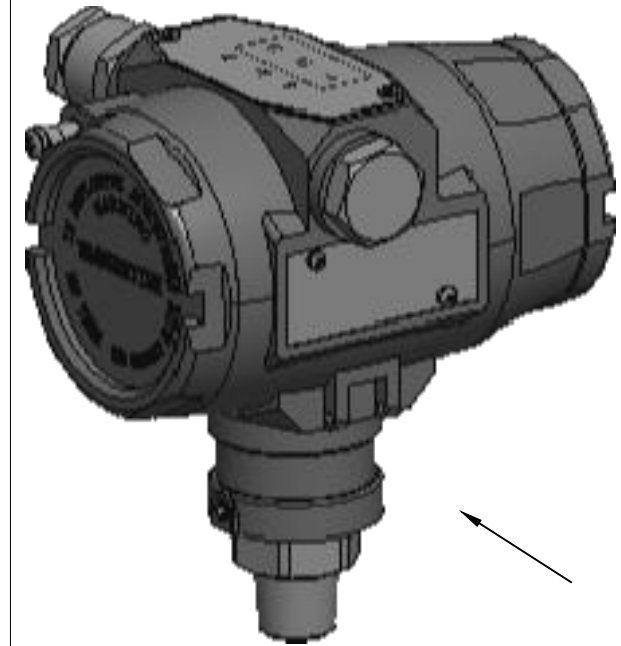
FRONT VIEW
SCALE 1 : 1



RH VIEW

ALL DIMENSIONS ARE IN INCHES / MM

FOR REFERENCE USE ONLY



This drawing, principle & the elements of design embodied therein are the exclusive property of TEKTRON LLC. and are not to be communication, disclosed, reproduced or used except as previously authorized in writing by such corporation & must not be submitted to outside parties for examination without consent of said corporation.



Tek-Trol LLC
796 Tek Drive,
Crystal Lake, IL 60014, USA

C						
B						
A	06.29.22	INITIAL STAGE	AD	SD	UN	
REV.	DATE	DESCRIPTION	PREPD. BY	CHD. BY	APPD. BY	

CUSTOMER : -
PROJECT : -
END USER :

P.O. NO. : -	DATED : -
DRAWING. NO. : - 3120B-GA-01	REV : A
DOCUMENT TITLE : GAD FOR TEK-BAR 3120B PRESSURE TRANSMITTER	PROJECTION
	SHEET NO: 1 OF 1 SCALE : 1 : 1