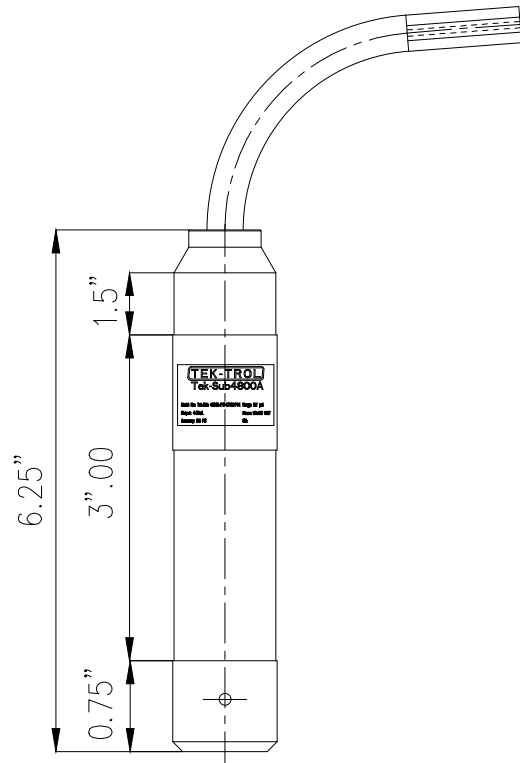
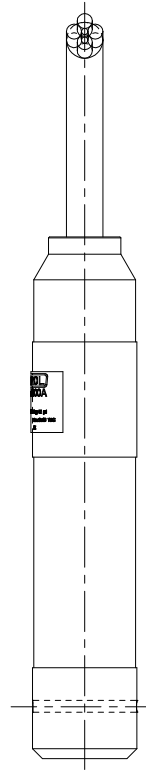


ALL DIMENSIONS ARE IN INCHES

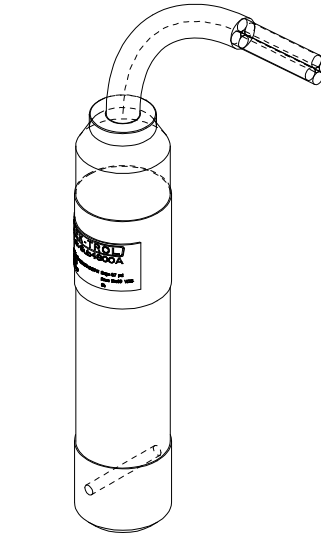
FOR REFERENCE USE ONLY



FRONT VIEW



RH VIEW



ISO. VIEW
(30° ROTATED)



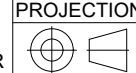
APPROVAL CODE CONTROLLED UNCONTROLLED

CUSTOMER :- CATEGORY :- VERSION : A

P.O. NO. :- DRAWING. NO. :- TEK-SUB-4800A-GAD REV : 00

PROJECT :- DOCUMENT TITLE : GAD FOR
TEKTROL RS485 MODEL
SUBMERSIBLE LEVEL TRANSMITTER

PROJECTION SHEET NO:
1 OF 1
SCALE : N.T.S



Tek-Trol LLC

796 Tek Drive,
Crystal Lake, IL 60014, USA

REV.	DATE	DESCRIPTION	PREP.D. BY	CHD. BY	APPD. BY
00	04-FEB-2023	INITIAL STAGE	AD	SS	UN

CUSTOMER :-
P.O. NO. :-
PROJECT :-
END USER :-

This drawing, principle & the elements of design embodied therein are the exclusive property of TEK-TROL, LLC and are not to be communication, disclosed, reproduced or used except as previously authorized in writing by such corporation & must not be submitted to outside parties for examination without consent of said corporation.