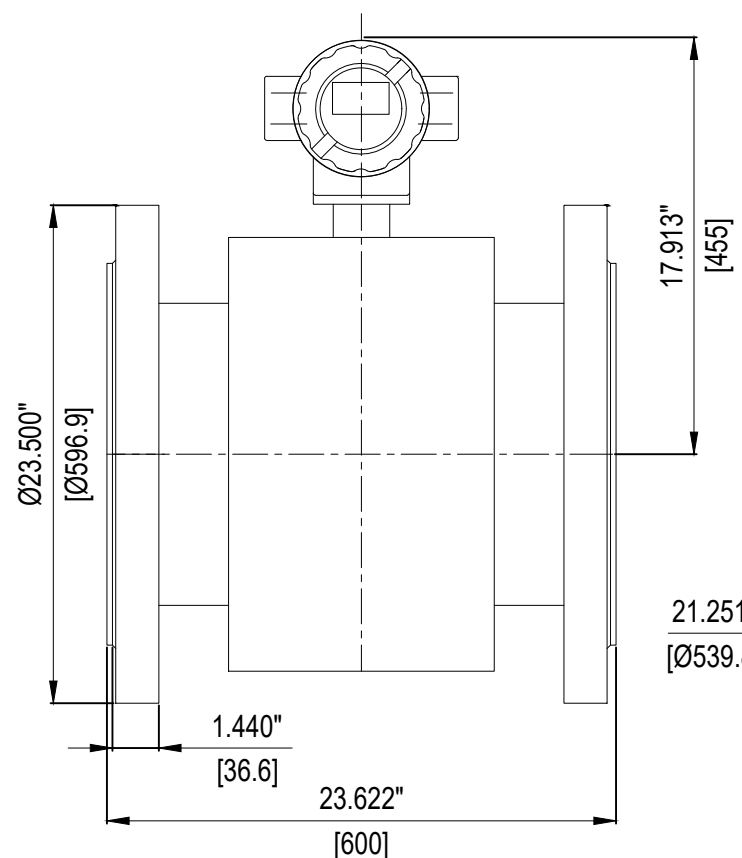
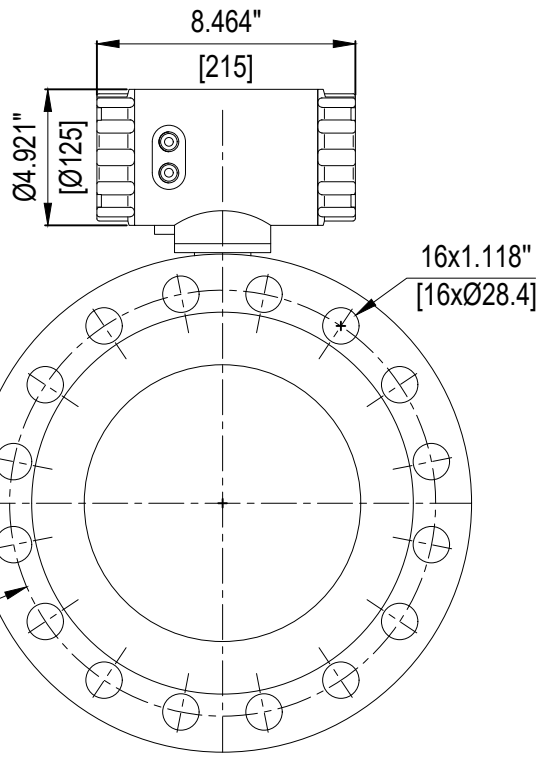


ALL DIMENSIONS ARE IN INCHES AND [MM]



FRONT VIEW



SIDE VIEW



**Tek-Trol LLC**

796 Tek Drive,  
Crystal Lake, IL 60014, USA

							CUSTOMER :-
							P.O. NO. :-
00	12-JUN-2023	INITIAL STAGE	AD	UN	UN		PROJECT :-
REV.	DATE	DESCRIPTION	PREPD. BY	CHD. BY	APPD. BY		END USER :-

APPROVAL CODE  CONTROLLED  UNCONTROLLED

CATEGORY :- VERSION : C

DRAWING. NO. :- 1400A-TEK-GAD REV : 00

DOCUMENT TITLE : GAD FOR  
TEKTROL FLOW METER  
TECHNOLOGY

PROJECTION SHEET NO:  
1 OF 1  
SCALE : NTS

This drawing, principle & the elements of design embodied therein are the exclusive property of TEKTRON, LLC. and are not to be communication, disclosed, reproduced or used except as previously authorized in writing by such corporation & must not be submitted to outside parties for examination without consent of said corporation.