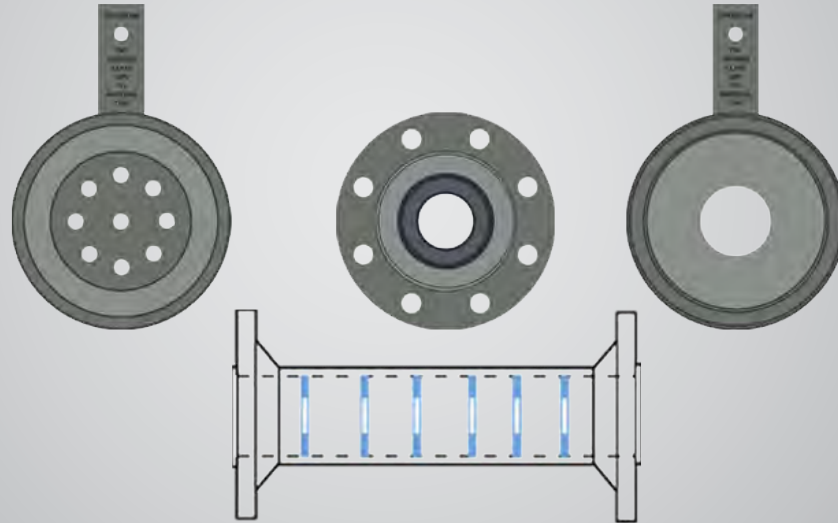




FLOW



Technology Solutions



Restriction Orifice

Tek-DP 1610F

1 FEATURES

- Proven Technology.
- Prevent Critical Flow or Cavitation Issues. Site noise level reduction.
- Reduce pressure and flow rate by restricting flow, regardless of upstream conditions within defined limits.
- Designs available to accommodate site restrictions and noise limitations.
- Prevent critical flow or cavitation issues.
- Cavitation reduction.

2 APPLICATIONS

- Hydrocarbon Gas & Liquids
- Controlled Pressure Reduction
- Blow-Down Service
- Pressure Vessels
- Noise Reduction

3 CONTACT US

- 📍 796 Tek Drive, Crystal Lake, IL 60014 USA
- ☎ +1 847-857-6076
- ✉ Email: tektrol@tek-trol.com
- 🌐 www.tek-trol.com

4 SPECIFICATIONS

Plate Types	- Square edge concentric - Single or Multi-Element Units - Eccentric, Multi Holed - Single or Multi-Element - Single - Element Plate Only (Client Installation only) Note: Multi-Element Device, Flanged & Pressure Tested or butt weld
Plate Material	- 304SS, 304L SS, 316SS, 316L SS - Ni, Cr, Mo Alloy Steel (A182 F11 to 91) - Monel, Hastelloy, Inconel (on request)
Pressure Rating	In accordance with National and International standards.
Plate Thickness	Calculated by Tek-DPro taking into consideration the required process fluid pressure reductions, flow and pipe sizes, and liquid or gas process details with clients piping requirements and standards.
Mounting	Flange or clients piping requirements
Nominal Pipe Diameters	1 inch to 24 inches (25-600mm) larger on request.
Support Piping	Full NDT with Dye Penetrant, Radiography & Hydrotest (Flanged)
Flange Rating	ANSI Class: 150,300,600,900,1500,2500 RF / RTJ as required