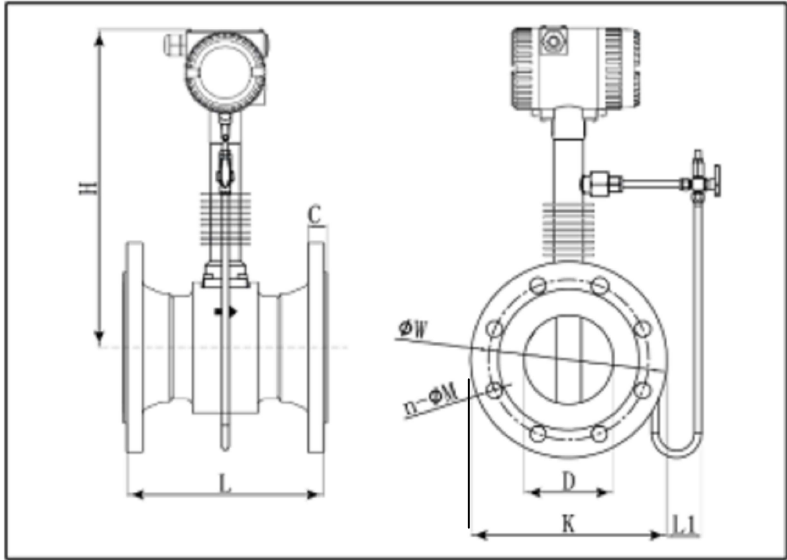


H G F E D C B A

ANSI / ASME – CLASS 150



ANSI / ASME MULTIVARIABLE 480°F

| (Size) in.(mm) | (Pipe OD) in.(mm) | Flange screw hole distance in.(mm) | Flange thickness in.(mm) | Bolt hole diameter in.(mm) | Meter height in.(mm) | Meter height in.(mm) | Bolt qty |
|-------------------|----------------------|--|--------------------------------|----------------------------------|----------------------------|----------------------------|-------------|
| D | K | W | C | n-ØM | L1 | H | N |
| 1/2" (15) | 3.55" (90) | 2.35" (60.3) | 0.45"(11.6) | 0.65"(15.9) | 2.9" (73.5) | 13.2"(335) | 4 |
| 3/4" (20) | 3.95" (100) | 2.75" (69.9) | 0.5"(13.2) | 0.65"(15.9) | 2.6" (66) | 13.2"(335) | 4 |
| 1" (25) | 4.35" (110) | 3.15" (79.4) | 0.6"(14.7) | 0.65"(15.9) | 2.5" (63.5) | 13.2"(335) | 4 |
| 1 1/4"(32) | 4.6" (117.3) | 3.5" (88.9) | 0.65"(16.3) | 0.65"(15.9) | 2.7" (68) | 13.2"(335) | 4 |
| 1 1/2"(40) | 5" (127) | 3.85" (98.4) | 0.7"(17.9) | 0.65"(15.9) | 2.65" (67.5) | 13.25"(337) | 4 |
| 2" (50) | 6" (152.4) | 4.75" (120.7) | 0.75"(19.5) | 0.75"(19) | 2.4" (61) | 13.45"(342) | 4 |
| 2 1/2"(65) | 7.1" (180) | 5.5" (139.7) | 0.9"(22.7) | 0.75"(19) | 1.9" (48.5) | 13.8"(350) | 4 |
| 3" (80) | 7.5" (190.5) | 6" (152.4) | 0.95"(24.3) | 0.75"(19) | 1.8" (46) | 14.05"(357) | 4 |
| 4" (100) | 9.05" (230) | 7.5" (190.5) | 0.95"(24.3) | 0.75"(19) | 1.55" (40) | 14.5"(368) | 8 |
| 5" (125) | 10.05" (255) | 8.5" (215.9) | 0.95"(24.3) | 0.85"(22.2) | 1.6" (41) | 15.05"(382) | 8 |
| 6" (150) | 11" (280) | 9.5" (241.3) | 1"(25.9) | 0.85"(22.2) | 1.4" (36) | 21"(534) | 8 |
| 8" (200) | 13.6" (345) | 11.75" (298.5) | 1.15"(29) | 0.85"(22.2) | 2.1" (53.5) | 22"(559) | 8 |
| 10" (250) | 16" (406.4) | 14.25" (362) | 1.2"(30.6) | 1"(25.4) | 1.9" (48) | 23.05"(585) | 12 |
| 12" (300) | 19.1" (485) | 17" (431.8) | 1.25"(32.2) | 1"(25.4) | 1.55" (39.5) | 24"(610) | 12 |

ANSI / ASME – CLASS 300

| (Size) in.(mm) | (Pipe OD) in.(mm) | Flange screw hole distance in.(mm) | Flange thickness in.(mm) | Bolt hole diameter in.(mm) | Meter height in.(mm) | Meter height in.(mm) | Bolt qty |
|-------------------|----------------------|--|--------------------------------|----------------------------------|----------------------------|----------------------------|-------------|
| D | K | W | C | n-ØM | L1 | H | N |
| 1/2" (15) | 3.75" (95.2) | 2.65" (66.7) | 0.6"(14.7) | 0.65"(15.9) | 2.8" (71) | 13.2"(335) | 4 |
| 3/4" (20) | 4.65" (117.5) | 3.25" (82.6) | 0.65"(16.3) | 0.75"(19) | 2.25" (57.2) | 13.2"(335) | 4 |
| 1" (25) | 4.9" (125) | 3.5" (88.9) | 0.7"(17.9) | 0.75"(19) | 2" (51) | 13.2"(335) | 4 |
| 1 1/4"(32) | 5.3" (135) | 3.85" (98.4) | 0.75"(19.5) | 0.75"(19) | 2.3" (59) | 13.2"(335) | 4 |
| 1 1/2"(40) | 6.15" (156) | 4.5" (114.3) | 0.85"(21.1) | 0.85"(22.2) | 2.1" (53) | 13.25"(337) | 4 |
| 2" (50) | 6.5" (165.1) | 5" (127) | 0.9"(22.7) | 0.75"(19) | 2.15" (54.7) | 13.45"(342) | 8 |
| 2 1/2"(65) | 7.5" (191) | 5.85" (149.2) | 1"(25.9) | 1"(25.9) | 1.7" (43) | 13.8"(350) | 8 |
| 3" (80) | 8.25" (210) | 6.65" (168.3) | 1.15"(29) | 1.15"(29) | 1.45" (36.3) | 14.05"(357) | 8 |
| 4" (100) | 10.05" (255) | 7.85" (200) | 1.25"(32.2) | 1.25"(32.2) | 1.1" (28.5) | 14.5"(368) | 8 |
| 5" (125) | 11" (280) | 9.25" (235) | 1.4"(35.4) | 1.4"(35.4) | 1.1" (28.5) | 15.05"(382) | 8 |
| 6" (150) | 12.6" (320) | 10.65" (269.9) | 1.45"(37) | 1.45"(37) | 0.65" (16) | 21"(534) | 12 |
| 8" (200) | 15" (381) | 13" (330.2) | 1.65"(41.7) | 1.65"(41.7) | 1.4" (35.5) | 22"(559) | 12 |
| 10" (250) | 17.5" (445) | 15.25" (387.4) | 1.9"(48.1) | 1.9"(48.1) | 1.15" (28.7) | 23.05"(585) | 16 |
| 12" (300) | 20.5" (521) | 17.75" (450.8) | 2"(51.3) | 2"(51.3) | 0.85" (21.5) | 24"(610) | 16 |

| | | | |
|--|-------------------------------------|--|---------------------|
| ALL DIMENSIONS ARE IN INCH(MM) | | TOTAL QTY :- - | |
| APPROVAL CODE <input type="checkbox"/> | CONTROLLED <input type="checkbox"/> | UNCONTROLLED <input checked="" type="checkbox"/> | |
| SIZE- 480°F | | VERSION :- - | |
| DRAWING.NO: -1300C-ANSI / ASME-480°F | | REV : 0 | |
| DOCUMENT TITLE :1300C FLANGE DRAWINGS | | PROJECTION | SHEET NO: 1 OF 1 |
| END USER : | | | SCALE : N.T.S |

TEKTROL
Tek-Trol LLC
796 Tek Drive,
Crystal Lake, IL 60014, USA

| | | | | | | |
|------|----------|-------------|--------------|------------|-------------|------------------------------|
| 00 | 12-04-24 | | VJ | AS | MI | CUSTOMER :- P.O. NO. :- - |
| REV. | DATE | DESCRIPTION | PREPD. BY | CHD. BY | APPD. BY | PROJECT :- END USER : |

H G F E D C B A

This drawing, principle & the elements of design embodied therein are the exclusive property of TEKROL, LLC. and are not to be communication, discussed, reproduced or used except as previously authorized in writing by such corporation & must not be submitted to outside parties for examination without consent of said corporation.