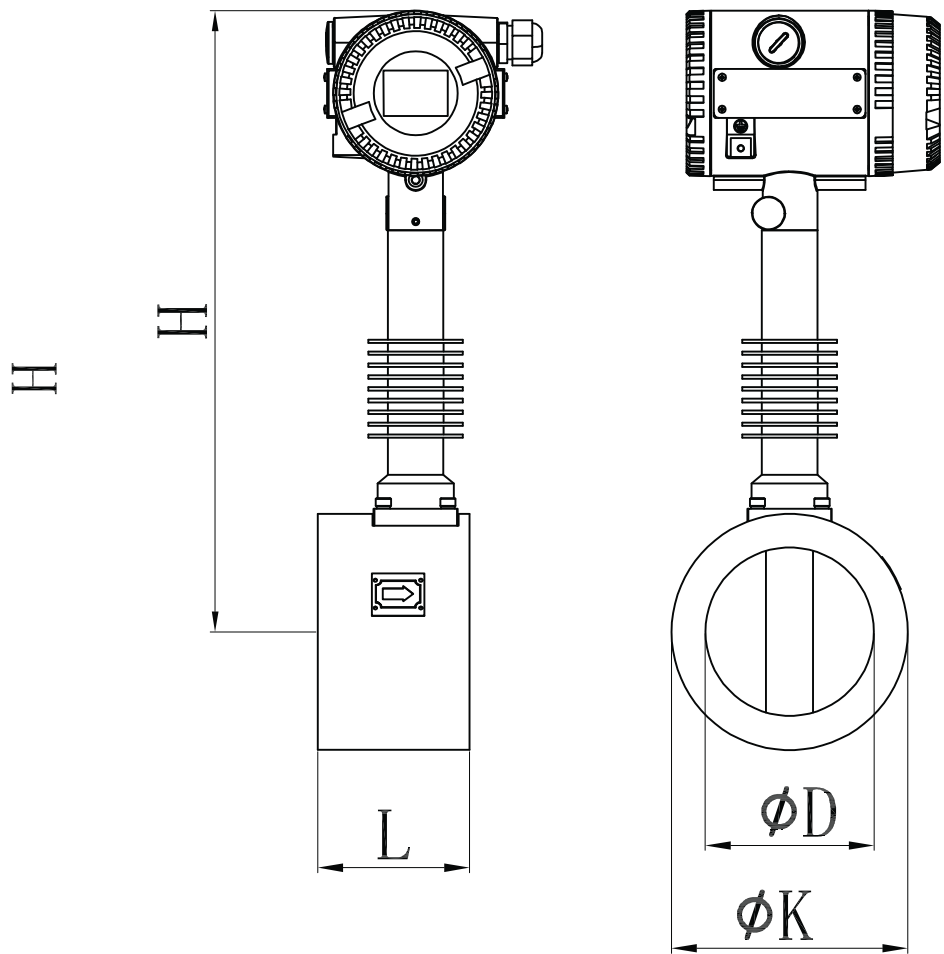


H G F E D C B A

5  
4  
3  
2  
1

5  
4  
3  
2  
1



(Size) in.(mm)	(Pipe OD) in.(mm)	Meter.width in.(mm)	Meter.height in.(mm)
D	K	L	H
1/2" (15)	2.95" (75)	2.55" (65)	13.15"(334.5)
3/4" (20)	2.95" (75)	2.55" (65)	13.05"(332)
1" (25)	2.95" (75)	2.55" (65)	12.95"(329.5)
1 1/4"(32)	3.15" (80)	2.55" (65)	13.15"(333.8)
1 1/2"(40)	3.3" (84)	2.55" (65)	13.25"(336.8)
2" (50)	3.7" (94)	2.55" (65)	13.45"(342)
2 1/2"(65)	4.15" (105)	2.55" (65)	13.75"(349.5)
3" (80)	4.7" (120)	2.55" (65)	14.05"(357)
4" (100)	5.5" (140)	3.55" (90)	14.5"(368)
5" (125)	6.5" (165)	2.55" (65)	15"(381.5)
6" (150)	7.5" (190)	2.55" (65)	21"(534)
8" (200)	9.45" (240)	3.35" (85)	22"(559)
10" (250)	11.4" (290)	3.95" (100)	23.05"(585)
12" (300)	13.4" (340)	4.7" (120)	24"(610)

**WAFER STANDARD 480°F**

This drawing, principle & the elements of design embodied therein are the exclusive property of TEK-TROL, LLC. and are not to be communicated, disclosed, reproduced or used except as previously authorized in writing by such corporation & must not be submitted to outside parties for examination without consent of said corporation.



01	15-03-24		VJ	AS	MI	CUSTOMER :-
00	02-03-24		VJ	AS	MI	P.O. NO. :-
REV.	DATE	DESCRIPTION	PREPD. BY	CHD. BY	APPD. BY	PROJECT :-
						END USER :-

ALL DIMENSIONS ARE IN INCH(MM)		TOTAL QTY :- -
APPROVAL CODE <input type="checkbox"/>	CONTROLLED <input type="checkbox"/>	UNCONTROLLED <input checked="" type="checkbox"/>
SIZE- 480°F	VERSION :- -	
DRAWING.NO: -1300C-WAFER TYPE-480°-GAD	REV :1	
DOCUMENT TITLE :TEK-VOR	PROJECTION	SHEET NO:
1300C VORTEX		1 OF 1
FLOWMETER(WAFER)		SCALE : N.T.S

H G F E D C B A