



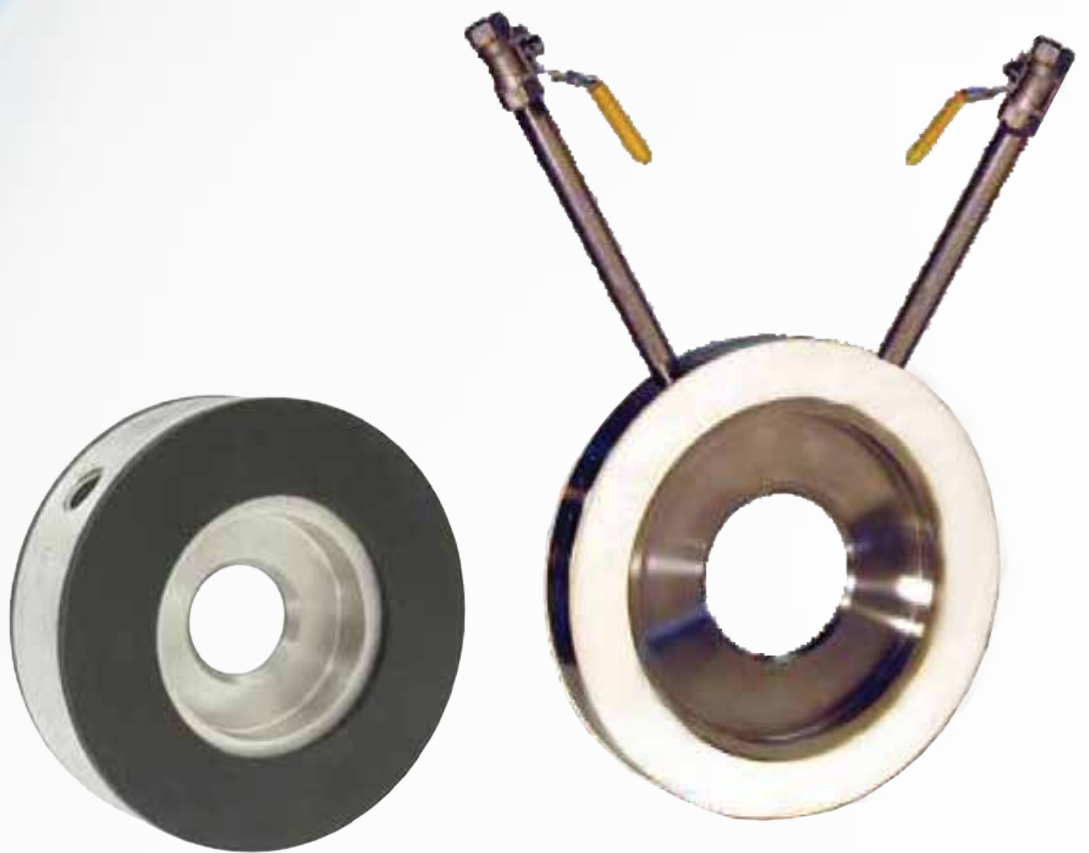
Technology Solutions

# TEK-DP 1610H

## Wafer Style Orifice Plate



FLOW



## Introduction

Tek-Trol's Tek-DP 1610H Wafer Style Orifice Plate is a complete package of flow metering. This orifice plate consists of a unique holder and a ring containing metering taps and gaskets. This unique orifice plate is made up of stainless-steel material which is a true primary element for differential pressure measurements. This Orifice Plate is specially designed for conventional flow applications. The cost-effective and highly efficient orifice plate is also used in other differential producers. The Tek-DP 1610H orifice plate is available in various line sizes (½" to 24"), which meets ASME, AGA, and ISO Standards. Installation is achieved by slipping the self-centering unit between standard 150# flanges. The Tek-DP 1610H Wafer Style Orifice Plate is mostly used for gases, liquids, corrosive, and high-temperature fluids.



Fig 1: Tek-DP 1610H Wafer Style Orifice Plate



Fig 2: Tek-DP 1610H Wafer Style Orifice Plate with Orifice Meter

## Features

- Predrilled integrated metering taps are available.
- Pre-attached full-faced integral gasket.
- "Corner" type metering taps provide coefficient accuracy values.
- Highly reliable and accurate.
- Easy to install and cost-effective.
- Highly stable and durable.
- Solid-state PVC construction eliminates the resting and plugging of the sensing port.
- Ability to match the range of an existing DP Transmitter.
- Indicate gage without recalibration or replacement.
- Orifice bore is calculated to match specified "head loss" requirements.
- Orifice bore styles are available in Concentric, Eccentric, Segmental, Quadrant edge, Multiple Bore.
- Eliminate inside pipe diameter.
- Bi-directional flow capabilities.
- The thickness of the orifice plate is as per the ASME/AGA standards.
- Eliminate potential flange rating mismatches.
- Eliminates the requirement of additional centering devices.
- Ideal for lightweight duct measurement.
- Eliminate additional throttling valve by combining flow meter and restrictor as one integral unit.
- Easily accessible and cleaned using a pipe cleaner or rod out kit.
- Direct mount installation of manifold transmitters is possible.
- The remote mount available.
- Flexible readout options.
- Proven technology widely used in energy efficiency applications.

## Applications

- Building Water Lines.
- Boiler Feed Water.
- Cooling Water.
- Combustion or Compressed Air.
- Steam Flow.

## Specifications

Accuracy	±0.6% of full-scale Flow
Wetted Material	304SS, Buna-N gaskets
Temperature	-600°F to 2000°F (Dependent on Material and Gasketing)
Pressure	Limited only by pipe and flange rating restrictions (ISO: 300, 600, 900; ANSI: 1500, 2500#)
Line Sizes	½" to 24"
Head Loss	Similar to Standard Orifice Plates
Fluids	Liquids, Gases, and Steam High Pressure and Temperature, Corrosive Fluids
Process Connection	¼" Female NPT
Pipe Requirements	Refer to Installation Sheet Attached. General Requirements 10D up and 5D down
Bore	Concentric Standard, Eccentric, Quadrant Edge, Segmental, Multi Bore Available.
Installation	Standard ANSI Flange, 150# STD (Orifice Flanges Not Required)
Weight	Varies with Line Size and Model

## Dimensional Drawing

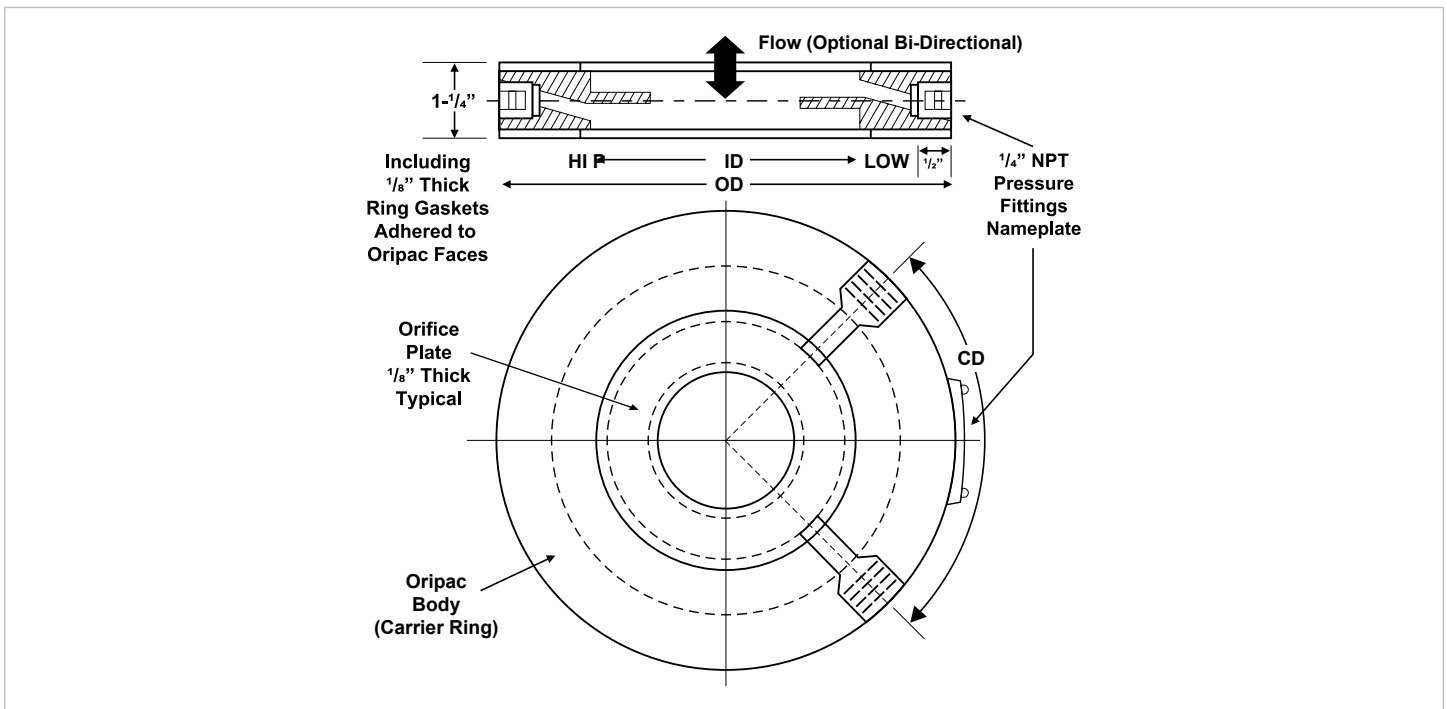


Fig 3: Dimension Drawing of Tek-DP 1610H Wafer Style Orifice Plate

Line Size (D) Inches	Outside Diameter (OD) Inches	Pipe Inside Diameter (PID) Inches	Tap Location (CD)
1/4"	1 7/8"	3/8"	4.5
1/2"	1 7/8"	1/2"	4.5
3/4"	2 1/4"	3/4"	4.5
1"	2 3/4"	1"	4.5
1 1/4"	3"	1 2/5"	4.5
1 1/2"	3 1/2"	1 1/2"	4.5
2"	4 1/4"	2"	4.5
2 1/2"	5"	2 1/2"	4.5
3"	5 1/2"	3"	4.5
4"	7"	4"	4.5
5"	7 3/4"	5"	4.5
6"	8 3/4"	6"	4.5
8"	11"	7 8/9"	4.5
10"	13 1/2"	10"	4.5
12"	16 1/8"	12"	4.5
14"	17 3/4"	14"	4.5
16"	20 1/4"	16"	4.5
18"	21 3/4"	18"	4.5
20"	23 7/8"	20"	4.5
24"	28 1/4"	24"	4.5

## Installation

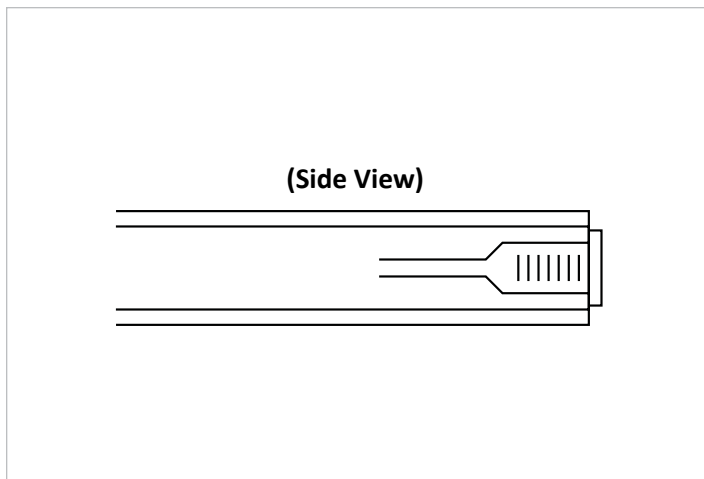


Fig 4: Side View of Tek-DP 1610H Wafer Style Orifice Plate

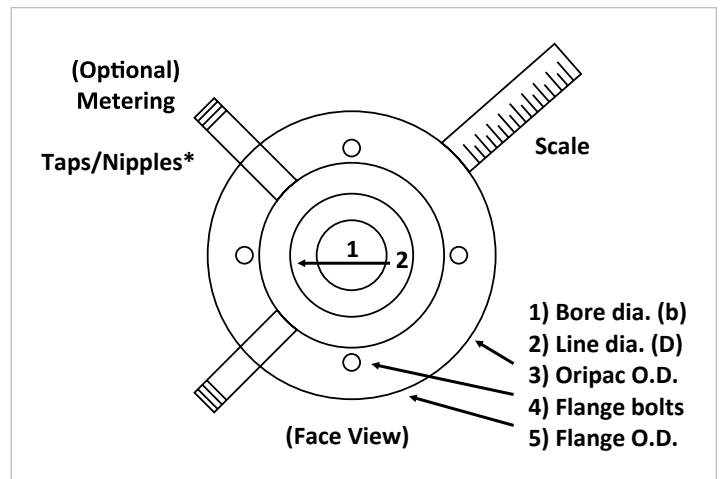


Fig 5: Face View of Tek-DP 1610H Wafer Style Orifice Plate

Note: \*Bolts should be 1 1/4" longer than standard make up flange bolts.

# Models Chart

Example	Tek-DP 1610H	S	50	01	A	01	A	01	B	01	MTR	Tek-DP 1610H-S-50-01-A-01-A-01-A-01-B-01-MTR
Series	Tek-DP 1610H											Wafer Style Orifice
Material		S P T X										304 SS- Buna-N Gasket PVC- Buna-N Gasket PTFE- Buna-N Gasket Special
Size			015 020 025 040 050 065 080 100 150 200 250 300 350 400 450 500 600									½" ¾" 1" 1 ½" 2" 2 ½" 3" 4" 6" 8" 10" 12" 14" 16" 18" 20" 24"
Bore Diameter				XXXX								Bore Diameter (See Model Chart)
Flanges					A B C D E F X							Raised Face Socket Weld (ANSI) Raised Face Weld Neck (ANSI) Raised Face Threaded (ANSI) RTJ Socket Weld RTJ Weld Neck RTJ Threaded Special
Pipe Schedule						01 04 05 06 07 08 09 XX						STD (Standard Pipe SCH) 20 30 40S 40 80S 80 Special
Flange Material							A B C D E X					Carbon Steel (Standard) Low Temp CS 304L SS 316L SS PVC Special
Pressure Rating								01 02 03 04 XX				150# 300# 600# 900# Special
Flow Transmitters									A B C D E F X			None (Customer Supplied) Tek-Bar 3110 (Liquids) - Smart DP Tek-Bar 3800 (MVT Steam & Compressed Gases) Tek-FC 8000 (Natural Gas - Flow Computer) TekValSys DPRO (Insitu Flow Validation) TekValSys DPRO WFGM (Wet Gas) Special

Calibration									01	None
									02	Water
									03	Air
									04	Multiphase
									XX	Special
Options									MTR	Material Test Report EN3.1
									MC	Material Cert EN2.1
									PMI	Positive Material Identification (NDE)
									COC	Certificate of Conformity
									TAG	SS TAG PLATE
									UMR	Upstream Meter Run -1PC
									DMR	Downstream Meter Run-1PC
									FMR	Meter Run with Flow Conditioner Plates -2PC
									CDE	Certified Drawing Electronic (As Built)
									MRB	Manufacturing Record Book
								DFT	Dry Film Thickness - Custom Paint Spec	
								CPC	Custom Product Code	

## Popular Models

- 1610H-P

Model Number	Description
1610H- P-15-0.200	PVC Orifice Plate Flow Meter, 1/2" Line Size, 0.200" Bore.
1610H- P-15-0.310	PVC Orifice Plate Flow Meter, 1/2" Line Size, 0.310" Bore.
1610H- P-15-0.430	PVC Orifice Plate Flow Meter, 1/2" Line Size, 0.430" Bore.
1610H- P-20-0.250	PVC Orifice Plate Flow Meter, 3/4" Line Size, 0.250" Bore.
1610H- P-20-0.400	PVC Orifice Plate Flow Meter, 3/4" Line Size, 0.400" Bore.
1610H- P-20-0.580	PVC Orifice Plate Flow Meter, 3/4" Line Size, 0.580" Bore.
1610H- P-25-0.300	PVC Orifice Plate Flow Meter, 1" Line Size, 0.300" Bore.
1610H- P-25-0.520	PVC Orifice Plate Flow Meter, 1" Line Size, 0.520" Bore.
1610H- P-25-0.720	PVC Orifice Plate Flow Meter, 1" Line Size, 0.720" Bore.
1610H- P-32-0.400	PVC Orifice Plate Flow Meter, 1-1/4" Line Size, 0.400" Bore.
1610H- P-32-0.700	PVC Orifice Plate Flow Meter, 1-1/4" Line Size, 0.700" Bore.
1610H- P-32-1.000	PVC Orifice Plate Flow Meter, 1-1/4" Line Size, 1.00" Bore.
1610H- P-40-0.500	PVC Orifice Plate Flow Meter, 1-1/2" Line Size, 0.500" Bore.
1610H- P-40-0.800	PVC Orifice Plate Flow Meter, 1-1/2" Line Size, 0.800" Bore.
1610H- P-40-1.100	PVC Orifice Plate Flow Meter, 1-1/2" Line Size, 1.100" Bore.
1610H- P-50-0.600	PVC Orifice Plate Flow Meter, 2" Line Size, 0.600" Bore.
1610H- P-50-1.00	PVC Orifice Plate Flow Meter, 2" Line Size, 1.000" Bore.
1610H- P-50-1.45	PVC Orifice Plate Flow Meter, 2" Line Size, 1.450" Bore.
1610H- P-65-0.750	PVC Orifice Plate Flow Meter, 2-1/2" Line Size, 0.750" Bore.
1610H- P-65-1.250	PVC Orifice Plate Flow Meter, 2-1/2" Line Size, 1.250" Bore.
1610H- P-65-1.750	PVC Orifice Plate Flow Meter, 2-1/2" Line Size, 1.750" Bore.
1610H- P-80-0.920	PVC Orifice Plate Flow Meter, 3" Line Size, 0.920" Bore.
1610H- P-80-1.500	PVC Orifice Plate Flow Meter, 3" Line Size, 1.500" Bore.
1610H- P-80-2.150	PVC Orifice Plate Flow Meter, 3" Line Size, 2.150" Bore.
1610H- P-100-1.200	PVC Orifice Plate Flow Meter, 4" Line Size, 1.200" Bore.
1610H- P-100-2.000	PVC Orifice Plate Flow Meter, 4" Line Size, 2.000" Bore.
1610H- P-100-2.800	PVC Orifice Plate Flow Meter, 4" Line Size, 2.800" Bore.
1610H- P-125-1.500	PVC Orifice Plate Flow Meter, 5" Line Size, 1.500" Bore.
1610H- P-125-2.500	PVC Orifice Plate Flow Meter, 5" Line Size, 2.500" Bore.
1610H- P-125-3.500	PVC Orifice Plate Flow Meter, 5" Line Size, 3.500" Bore.
1610H- P-150-1.800	PVC Orifice Plate Flow Meter, 6" Line Size, 1.800" Bore.
1610H- P-150-3.000	PVC Orifice Plate Flow Meter, 6" Line Size, 3.000" Bore.
1610H- P-150-4.200	PVC Orifice Plate Flow Meter, 6" Line Size, 4.200" Bore.
1610H- P-200-2.400	PVC Orifice Plate Flow Meter, 8" Line Size, 2.400" Bore.
1610H- P-200-4.000	PVC Orifice Plate Flow Meter, 8" Line Size, 4.000" Bore.
1610H- P-200-5.600	PVC Orifice Plate Flow Meter, 8" Line Size, 5.600" Bore.



Model Number	Description
1610H- P-250-3.000	PVC Orifice Plate Flow Meter, 10" Line Size, 3.000" Bore.
1610H- P-250-5.000	PVC Orifice Plate Flow Meter, 10" Line Size, 5.000" Bore.
1610H- P-250-7.000	PVC Orifice Plate Flow Meter, 10" Line Size, 7.000" Bore.
1610H- P-300-3.600	PVC Orifice Plate Flow Meter, 12" Line Size, 3.600" Bore.
1610H- P-300-6.000	PVC Orifice Plate Flow Meter, 12" Line Size, 6.000" Bore.
1610H- P-300-8.400	PVC Orifice Plate Flow Meter, 12" Line Size, 8.400" Bore.
1610H- P-350-4.000	PVC Orifice Plate Flow Meter, 14" Line Size, 4.000" Bore.
1610H- P-350-6.600	PVC Orifice Plate Flow Meter, 14" Line Size, 6.600" Bore.
1610H- P-350-9.300	PVC Orifice Plate Flow Meter, 14" Line Size, 9.300" Bore.
1610H- P-400-4.500	PVC Orifice Plate Flow Meter, 16" Line Size, 4.500" Bore.
1610H- P-400-7.600	PVC Orifice Plate Flow Meter, 16" Line Size, 7.600" Bore.
1610H- P-400-10.700	PVC Orifice Plate Flow Meter, 16" Line Size, 10.700" Bore.
1610H- P-450-5.200	PVC Orifice Plate Flow Meter, 18" Line Size, 5.200" Bore.
1610H- P-450-8.600	PVC Orifice Plate Flow Meter, 18" Line Size, 8.600" Bore.
1610H- P-450-12.000	PVC Orifice Plate Flow Meter, 18" Line Size, 12.000" Bore.
1610H- P-500-5.780	PVC Orifice Plate Flow Meter, 20" Line Size, 5.780" Bore.
1610H- P-500-9.600	PVC Orifice Plate Flow Meter, 20" Line Size, 9.600" Bore.
1610H- P-500-13.500	PVC Orifice Plate Flow Meter, 20" Line Size, 13.500" Bore.
1610H- P-600-7.000	PVC Orifice Plate Flow Meter, 24" Line Size, 7.000" Bore.
1610H- P-600-11.700	PVC Orifice Plate Flow Meter, 24" Line Size, 11.700" Bore.
1610H- P-600-16.300	PVC Orifice Plate Flow Meter, 24" Line Size, 16.300" Bore.

- **1610H-S**

Model Number	Description
1610H-S-15-0.200	Orifice Plate Flow Meter, 0.5" Line Size, 0.200" Bore.
1610H-S-15-0.310	Orifice Plate Flow Meter, 0.5" Line Size, 0.310" Bore.
1610H-S-15-0.430	Orifice Plate Flow Meter, 0.5" Line Size, 0.430" Bore.
1610H-S-20-0.250	Orifice Plate Flow Meter, 0.75" Line Size, 0.250" Bore.
1610H-S-20-0.400	Orifice Plate Flow Meter, 0.75" Line Size, 0.400" Bore.
1610H-S-20-0.580	Orifice Plate Flow Meter, 0.75" Line Size, 0.580" Bore.
1610H-S-25-0.300	Orifice Plate Flow Meter, 1" Line Size, 0.300" Bore.
1610H-S-25-0.520	Orifice Plate Flow Meter, 1" Line Size, 0.520" Bore.
1610H-S-25-0.720	Orifice Plate Flow Meter, 1" Line Size, 0.720" Bore.
1610H-S-32-0.400	Orifice Plate Flow Meter, 1.25" Line Size, 0.400" Bore.
1610H-S-32-0.700	Orifice Plate Flow Meter, 1.25" Line Size, 0.700" Bore.
1610H-S-32-1.000	Orifice Plate Flow Meter, 1.25" Line Size, 1.00" Bore.
1610H-S-40-0.500	Orifice Plate Flow Meter, 1.5" Line Size, 0.500" Bore.
1610H-S-40-0.800	Orifice Plate Flow Meter, 1.5" Line Size, 0.800" Bore.

Model Number	Description
1610H-S-40-1.100	Orifice Plate Flow Meter, 1.5" Line Size, 1.100" Bore.
1610H-S-50-0.600	Orifice Plate Flow Meter, 2" Line Size, 0.600" Bore.
1610H-S-50-1.00	Orifice Plate Flow Meter, 2" Line Size, 1.000" Bore.
1610H-S-50-1.45	Orifice Plate Flow Meter, 2" Line Size, 1.450" Bore.
1610H-S-65-0.750	Orifice Plate Flow Meter, 2.5" Line Size, 0.750" Bore.
1610H-S-65-1.250	Orifice Plate Flow Meter, 2.5" Line Size, 1.250" Bore.
1610H-S-65-1.750	Orifice Plate Flow Meter, 2.5" Line Size, 1.750" Bore.
1610H-S-80-0.920	Orifice Plate Flow Meter, 3" Line Size, 0.920" Bore.
1610H-S-80-1.500	Orifice Plate Flow Meter, 3" Line Size, 1.500" Bore.
1610H-S-80-2.150	Orifice Plate Flow Meter, 3" Line Size, 2.150" Bore.
1610H-S-100-1.200	Orifice Plate Flow Meter, 4" Line Size, 1.200" Bore.
1610H-S-100-2.000	Orifice Plate Flow Meter, 4" Line Size, 2.000" Bore.
1610H-S-100-2.800	Orifice Plate Flow Meter, 4" Line Size, 2.800" Bore.
1610H-S-125-1.500	Orifice Plate Flow Meter, 5" Line Size, 1.500" Bore.
1610H-S-125-2.500	Orifice Plate Flow Meter, 5" Line Size, 2.500" Bore.
1610H-S-125-3.500	Orifice Plate Flow Meter, 5" Line Size, 3.500" Bore.
1610H-S-150-1.800	Orifice Plate Flow Meter, 6" Line Size, 1.800" Bore.
1610H-S-150-3.000	Orifice Plate Flow Meter, 6" Line Size, 3.000" Bore.
1610H-S-150-4.200	Orifice Plate Flow Meter, 6" Line Size, 4.200" Bore.
1610H-S-200-2.400	Orifice Plate Flow Meter, 8" Line Size, 2.400" Bore.
1610H-S-200-4.000	Orifice Plate Flow Meter, 8" Line Size, 4.000" Bore.
1610H-S-200-5.600	Orifice Plate Flow Meter, 8" Line Size, 5.600" Bore.
1610H-S-250-3.000	Orifice Plate Flow Meter, 10" Line Size, 3.000" Bore.
1610H-S-250-5.000	Orifice Plate Flow Meter, 10" Line Size, 5.000" Bore.
1610H-S-250-7.000	Orifice Plate Flow Meter, 10" Line Size, 7.000" Bore.
1610H-S-300-3.600	Orifice Plate Flow Meter, 12" Line Size, 3.600" Bore.
1610H-S-300-6.000	Orifice Plate Flow Meter, 12" Line Size, 6.000" Bore.
1610H-S-300-8.400	Orifice Plate Flow Meter, 12" Line Size, 8.400" Bore.
1610H-S-350-4.000	Orifice Plate Flow Meter, 14" Line Size, 4.000" Bore.
1610H-S-350-6.600	Orifice Plate Flow Meter, 14" Line Size, 6.600" Bore.
1610H-S-350-9.300	Orifice Plate Flow Meter, 14" Line Size, 9.300" Bore.
1610H-S-400-4.500	Orifice Plate Flow Meter, 16" Line Size, 4.500" Bore.
1610H-S-400-7.600	Orifice Plate Flow Meter, 16" Line Size, 7.600" Bore.
1610H-S-400-10.700	Orifice Plate Flow Meter, 16" Line Size, 10.700" Bore.
1610H-S-450-5.200	Orifice Plate Flow Meter, 18" Line Size, 5.200" Bore.
1610H-S-450-8.600	Orifice Plate Flow Meter, 18" Line Size, 8.600" Bore.
1610H-S-450-12.000	Orifice Plate Flow Meter, 18" Line Size, 12.000" Bore.
1610H-S-500-5.780	Orifice Plate Flow Meter, 20" Line Size, 5.780" Bore.
1610H-S-500-9.600	Orifice Plate Flow Meter, 20" Line Size, 9.600" Bore.

- 1610H-T

Model Number	Description
1610H-T-15-0.200	PTFE Orifice Plate Flow Meter, 1/2" Line Size, 0.200" Bore.
1610H-T-15-0.310	PTFE Orifice Plate Flow Meter, 1/2" Line Size, 0.310" Bore.
1610H-T-15-0.430	PTFE Orifice Plate Flow Meter, 1/2" Line Size, 0.430" Bore.
1610H-T-20-0.250	PTFE Orifice Plate Flow Meter, 3/4" Line Size, 0.250" Bore.
1610H-T-20-0.400	PTFE Orifice Plate Flow Meter, 3/4" Line Size, 0.400" Bore.
1610H-T-20-0.580	PTFE Orifice Plate Flow Meter, 3/4" Line Size, 0.580" Bore.
1610H-T-25-0.300	PTFE Orifice Plate Flow Meter, 1" Line Size, 0.300" Bore.
1610H-T-25-0.520	PTFE Orifice Plate Flow Meter, 1" Line Size, 0.520" Bore.
1610H-T-25-0.720	PTFE Orifice Plate Flow Meter, 1" Line Size, 0.720" Bore.
1610H-T-32-0.400	PTFE Orifice Plate Flow Meter, 1-1/4" Line Size, 0.400" Bore.
1610H-T-32-0.700	PTFE Orifice Plate Flow Meter, 1-1/4" Line Size, 0.700" Bore.
1610H-T-32-1.000	PTFE Orifice Plate Flow Meter, 1-1/4" Line Size, 1.00" Bore.
1610H-T-40-0.500	PTFE Orifice Plate Flow Meter, 1-1/2" Line Size, 0.500" Bore.
1610H-T-40-0.800	PTFE Orifice Plate Flow Meter, 1-1/2" Line Size, 0.800" Bore.
1610H-T-40-1.100	PTFE Orifice Plate Flow Meter, 1-1/2" Line Size, 1.100" Bore.
1610H-T-50-0.600	PTFE Orifice Plate Flow Meter, 2" Line Size, 0.600" Bore.
1610H-T-50-1.00	PTFE Orifice Plate Flow Meter, 2" Line Size, 1.000" Bore.
1610H-T-50-1.45	PTFE Orifice Plate Flow Meter, 2" Line Size, 1.450" Bore.
1610H-T-65-0.750	PTFE Orifice Plate Flow Meter, 2-1/2" Line Size, 0.750" Bore.
1610H-T-65-1.250	PTFE Orifice Plate Flow Meter, 2-1/2" Line Size, 1.250" Bore.
1610H-T-65-1.750	PTFE Orifice Plate Flow Meter, 2-1/2" Line Size, 1.750" Bore.
1610H-T-80-0.920	PTFE Orifice Plate Flow Meter, 3" Line Size, 0.920" Bore.
1610H-T-80-1.500	PTFE Orifice Plate Flow Meter, 3" Line Size, 1.500" Bore.
1610H-T-80-2.150	PTFE Orifice Plate Flow Meter, 3" Line Size, 2.150" Bore.
1610H-T-100-1.200	PTFE Orifice Plate Flow Meter, 4" Line Size, 1.200" Bore.
1610H-T-100-2.000	PTFE Orifice Plate Flow Meter, 4" Line Size, 2.000" Bore.
1610H-T-100-2.800	PTFE Orifice Plate Flow Meter, 4" Line Size, 2.800" Bore.
1610H-T-125-1.500	PTFE Orifice Plate Flow Meter, 5" Line Size, 1.500" Bore.
1610H-T-125-2.500	PTFE Orifice Plate Flow Meter, 5" Line Size, 2.500" Bore.
1610H-T-125-3.500	PTFE Orifice Plate Flow Meter, 5" Line Size, 3.500" Bore.
1610H-T-150-1.800	PTFE Orifice Plate Flow Meter, 6" Line Size, 1.800" Bore.
1610H-T-150-3.000	PTFE Orifice Plate Flow Meter, 6" Line Size, 3.000" Bore.
1610H-T-150-4.200	PTFE Orifice Plate Flow Meter, 6" Line Size, 4.200" Bore.
1610H-T-200-2.400	PTFE Orifice Plate Flow Meter, 8" Line Size, 2.400" Bore.
1610H-T-200-4.000	PTFE Orifice Plate Flow Meter, 8" Line Size, 4.000" Bore.
1610H-T-200-5.600	PTFE Orifice Plate Flow Meter, 8" Line Size, 5.600" Bore.
1610H-T-250-3.000	PTFE Orifice Plate Flow Meter, 10" Line Size, 3.000" Bore.
1610H-T-250-5.000	PTFE Orifice Plate Flow Meter, 10" Line Size, 5.000" Bore.

Model Number	Description
1610H- T-250-7.000	PTFE Orifice Plate Flow Meter, 10" Line Size, 7.000" Bore.
1610H- T-300-3.600	PTFE Orifice Plate Flow Meter, 12" Line Size, 3.600" Bore.
1610H- T-300-6.000	PTFE Orifice Plate Flow Meter, 12" Line Size, 6.000" Bore.
1610H- T-300-8.400	PTFE Orifice Plate Flow Meter, 12" Line Size, 8.400" Bore.
1610H- T-350-4.000	PTFE Orifice Plate Flow Meter, 14" Line Size, 4.000" Bore.
1610H- T-350-6.600	PTFE Orifice Plate Flow Meter, 14" Line Size, 6.600" Bore.
1610H- T-350-9.300	PTFE Orifice Plate Flow Meter, 14" Line Size, 9.300" Bore.
1610H- T-400-4.500	PTFE Orifice Plate Flow Meter, 16" Line Size, 4.500" Bore.
1610H- T-400-7.600	PTFE Orifice Plate Flow Meter, 16" Line Size, 7.600" Bore.
1610H- T-400-10.700	PTFE Orifice Plate Flow Meter, 16" Line Size, 10.700" Bore.
1610H- T-450-5.200	PTFE Orifice Plate Flow Meter, 18" Line Size, 5.200" Bore.
1610H- T-450-8.600	PTFE Orifice Plate Flow Meter, 18" Line Size, 8.600" Bore.
1610H- T-450-12.000	PTFE Orifice Plate Flow Meter, 18" Line Size, 12.000" Bore.
1610H- T-500-5.780	PTFE Orifice Plate Flow Meter, 20" Line Size, 5.780" Bore.
1610H- T-500-9.600	PTFE Orifice Plate Flow Meter, 20" Line Size, 9.600" Bore.
1610H- T-500-13.500	PTFE Orifice Plate Flow Meter, 20" Line Size, 13.500" Bore.
1610H- T-600-7.000	PTFE Orifice Plate Flow Meter, 24" Line Size, 7.000" Bore.
1610H- T-600-11.700	PTFE Orifice Plate Flow Meter, 24" Line Size, 11.700" Bore.
1610H- TD 600:D61-24-16.300	PTFE Orifice Plate Flow Meter, 24" Line Size, 16.300" Bore.

# Customer Service & Support



TEK-TROL LLC reserves the right to change the designs and/or materials of its products without notice. The contents of this publication are the property of TEK-TROL LLC and cannot be reproduced by any other party without written permission. All rights reserved. Copyright © 2020 TEK-TROL LLC  
DOC # TEK/TIPS/CAT/240520/1610H/r00.2



[www.tek-trol.com](http://www.tek-trol.com)

## **Tek-Trol LLC**

796 Tek Drive Crystal Lake,  
IL 60014, USA



+1 847-857-6076



[tektrol@tek-trol.com](mailto:tektrol@tek-trol.com)



[www.tek-trol.com](http://www.tek-trol.com)

Tek-Trol is a fully owned subsidiary of TEKMATIION LLC. We offer our customers a comprehensive range of products and solutions for process, power and oil & gas industries. Tek-Trol provides process measurement and control products for Flow, Level, Temperature & Pressure measurement, Control valves & Analyzer systems. We are present in 15 locations globally and are known for our knowledge, innovative solutions, reliable products and global presence.