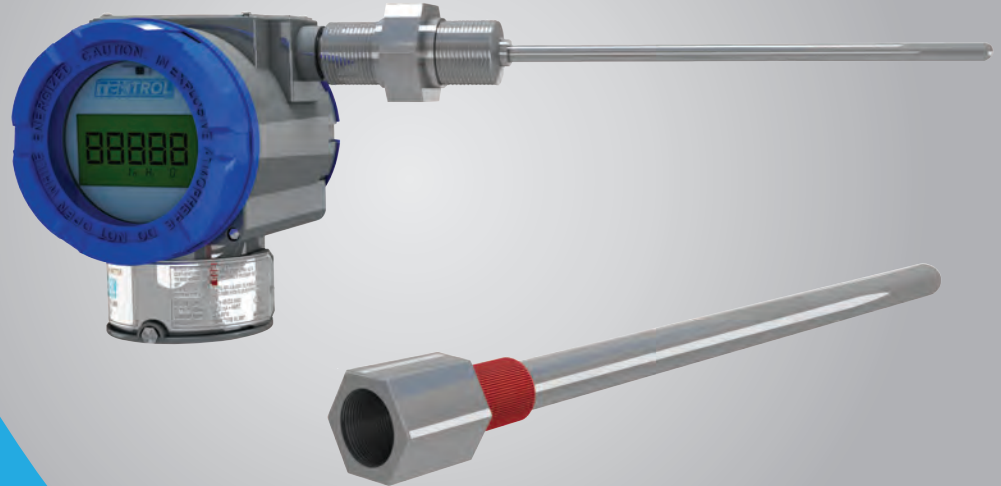




TEMPERATURE

Explosion-Proof Temperature Transmitter

Tek-Temp 2100A



1 FEATURES

- High Accuracy: $\pm 0.03\%$ of F.S.
- Selection of various T/C, RTD, mV, Ohm
- Data Configuration with HART® configurator
- EEPROM write protection
- Continuous Self Diagnostic Function (sensor, memory, communication)
- Fail-mode process function by hardware and software
- I/O Isolation: Grounded T/C input
- Also available with fieldbus

3 APPLICATIONS

- Cement industry
- Water and waste water industries
- Oil and Gas
- Pharmaceutical
- Food processing industry

CONTACT US

796 Tek Drive, Crystal Lake, IL 60014 USA

+1 847 857 6076

Email: tektrol@tek-trol.com

www.tek-trol.com

2 SPECIFICATION

Accuracy	$\pm 0.03\%$ of F.S.
Hysteresis	$\pm 1\%$
Repeatability	$\pm 0.05\%$ of Span
Ambient Temperature Limits	-40 °F to 140 °F (-40 °C to 60 °C)
Storage temperature	-40 °F to 185 °F (-40 °C to 85 °C)
Compensated temperature	-40 °F to 140 °F (-40 °C to 60 °C)
Power supply	12 VDC to 45 VDC
Output signal	4 mA to 20 mA with HART®
Response time	15 s
Electrical and housing connections	½" to 14" NPT
Housing material	Aluminum
Display	Optional 5 digit LCD display
Failure mode	Fail High: Current ≥ 21.75 mA Fail Low: Current ≥ 3.75 mA
Weight	2.64 lb (1.2 kg) (Standard), 5.73 lb (2.6 kg) (SST Housing)
Enclosure rating	FM Explosion-Proof
Agency approvals	CE, FM
Humidity limits	5% to 98% RH
LCD meter ordering temperature	-22 °F to 176 °F (-30 °C to 80 °C)
Loop load	0 to 1500 Ohm for Operation, 250 to 550 Ohm for HART Communications
Electrical connections	½" NPT female
2" Pipe stanchion type bracket	Angle or flat type
Housing class	Waterproof (IP67)
O-ring	Buna-N
Electronic housing	Aluminum