



Technology Solutions

# TEK-BAR 3120S

## Piezoresistive Pressure Transducer



PRESSURE



## Introduction

Tek-Bar 3120S Piezoresistive Pressure Transducer is made from a high-quality silicon piezoresistive sensor. This Piezoresistive Sensor is packaged with stainless steel housing. The Tek-Bar 3120S Piezoresistive Pressure Transducer is a precision-engineered instrument, widely used in industrial pressure processes. Piezoelectric Pressure Sensors measure dynamic pressures. The compact and rugged design makes this transmitter suitable for various applications such as process control systems, hydraulic systems and valves, pumps, refrigeration and HVAC controls, level measurements, compressor testing technologies, laboratory technologies, combustion engines, diesel engines, steam turbines and test equipments. A wide range of processes and electrical connection options are available to meet almost all requirements.

## Measuring Principle

The Tek-Bar 3120S piezoresistive Pressure Transducer consists of several thin wafers of silicon embedded between protective surfaces. This protective surface is usually connected to a Wheatstone bridge, for detecting small differences in resistance. The difference in pressure causes the resistance of the piezoresistive sensor to change. Due to this change in resistance, a small amount of current is passed through the sensor. The Wheatstone bridge determines this change.

## Benefits

- Measuring range from -14.7psi to 8000psi.
- Measure absolute, gauge and sealed gauge pressure.
- Accuracy:  $\pm 1.0\%$ FSO or  $\pm 0.5\%$ FSO.
- Calibrated and temperature compensated.
- Stainless steel construction.
- Piezoresistive pressure sensor design.
- Wide range of pressure and electrical connection.
- Output: 4 to 20mA, 0 to 10V, 0 to 5V, and others.

## Applications

- Process Control Systems.
- Refrigeration and HVAC Controls.
- Hydraulic Systems and Valves.
- Machine Buildings.
- Pumps.
- Compressor Testing Technologies.
- Laboratory Technologies.
- Combustion Engines.
- Diesel Engines.
- Steam Turbines.

## Specifications

<b>Accuracy</b>	±0.5% or 1.0%FSO
<b>Thermal Effects</b>	Temp Coeff-Zero: ±0.75%FSO Temp Coeff-Span: ±0.75%FSO
<b>Long Term Stability</b>	±0.2%FSO/Year
<b>Pressure Range</b>	Pressure Ranges: -14.7 to 8000psi Over Pressure: 1.5XFS
<b>Process Temperature</b>	Operating Temperature: -4°F to 185°F(-20°C to 85°C) Compensated Temperature Range: 14°F to 158°F(-10°C to 70°C) Storage Temperature: -40°F to 257°F(-40°C to 125°C)
<b>Vibration</b>	10G (20 to 2000Hz)
<b>Shock</b>	100G (10ms)
<b>Cycles</b>	10X10 <sup>6</sup> Cycles
<b>Output Signal</b>	4 to 20mA 0 to 5VDC 1 to 5VDC 0 to 10VDC
<b>Power Supply</b>	10 to 36VDC
<b>Load Resistance</b>	For Current Output: $<(V_s-12)/0.02A$ For Voltage Output: $>10k\Omega$
<b>Insulation Resistance</b>	100MΩ@50VDC
<b>Media Compatibility</b>	All media compatible with 316L SS
<b>Housing</b>	304 SS
<b>Diaphragm</b>	316L SS
<b>Oil Filling</b>	Silicon Oil
<b>Protection</b>	IP65 (Standard) IP66 (Only for cable)
<b>Weight</b>	Approx. 185g

## Standard Pressure Range

-14.7 to 160	Gauge	Sealed	Absolute
-14.7 to 0	*		
-14.7 to 160	*		
0 to 5	*		
0 to 15	*		*
0 to 30	*		*
0 to 50	*		*
0 to 100	*		*
0 to 150	*		
0 to 200	*		
0 to 300	*		
0 to 500		*	
0 to 1000		*	
0 to 3000		*	
0 to 5000		*	
0 to 8000		*	

Note: Other Pressure ranges available on request.

# Dimensional Drawing

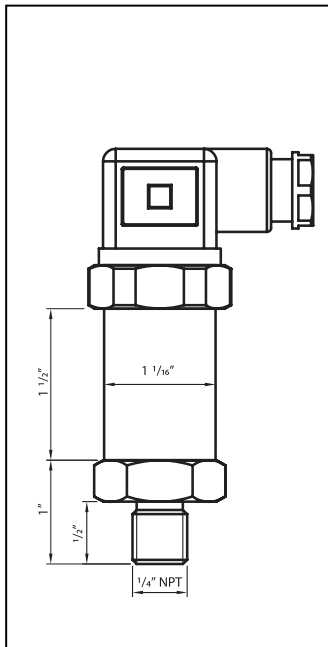


Fig 1: Connector  
DIN43650

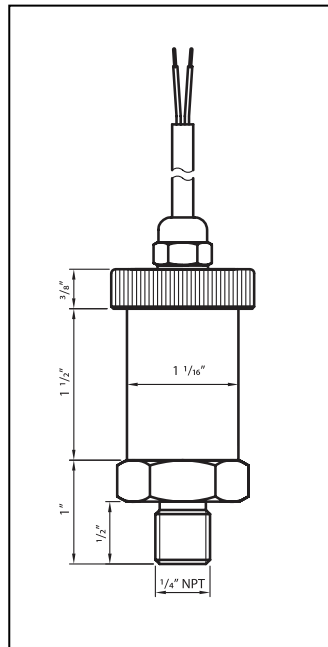


Fig 2: Hirschman Cable  
Outlet

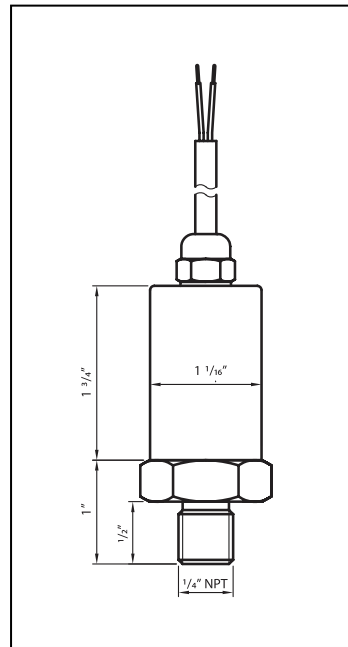


Fig 3: Cable Outlet with  
PVC - Cable

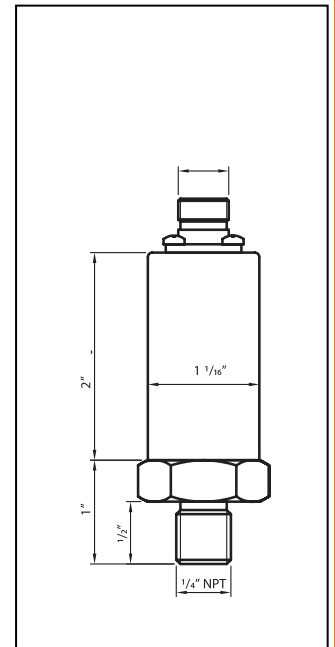


Fig 4: M12X1, 4-Pin

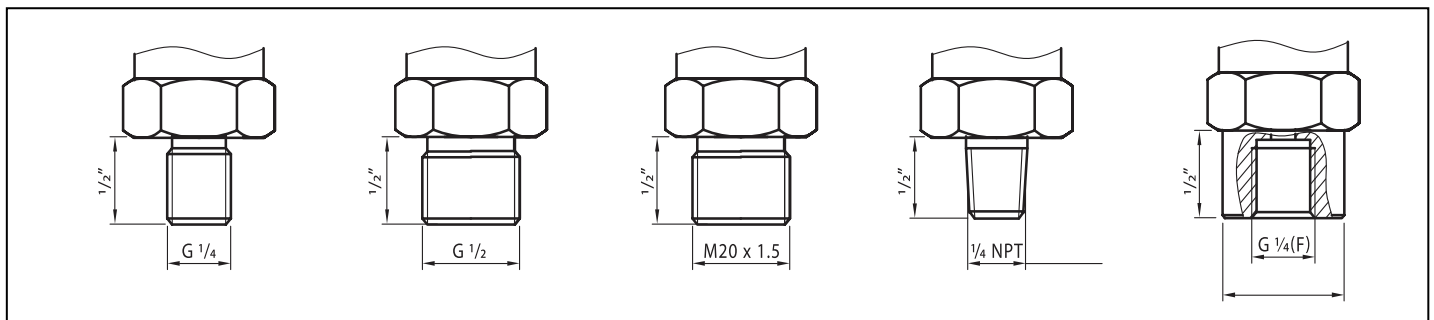


Fig 5: Mechanical Connections

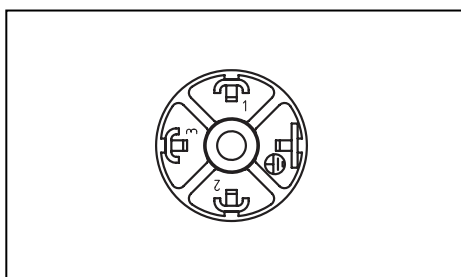


Fig 6: Connector DIN43650

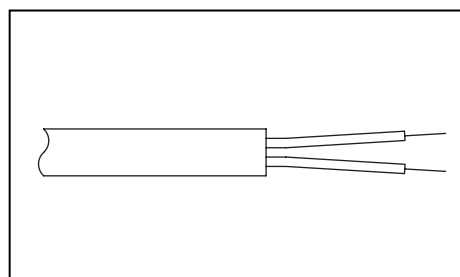


Fig 7: Cable Outlet

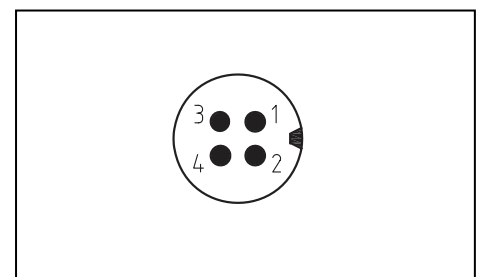


Fig 8: Connector M12x1 (4-pin)

## Model Chart

Example	Tek-Bar 3120S	B160	G	42	05	D	N1	Tek-Bar 3120S-B160-G-42-05-D-N1
Series	Tek-Bar 3120S							Piezoresistive Pressure Transducer
Pressure Ranges		B015						-14.7 to 0psi
		B160						0 to 3psi
		0005						0 to 5psi
		0015						0 to 15psi
		0030						0 to 30psi
		0050						0 to 50psi
		0100						0 to 100psi
		0150						0 to 150psi
		0200						0 to 200psi
		0300						0 to 300psi
		0500						0 to 500psi
		1000						0 to 1000psi
		3000						0 to 3000psi
	5000						0 to 5000psi	
	8000						0 to 8000psi	
Pressure Type			G A S					Gauge Pressure Absolute Pressure Sealed Pressure
Output signal				42 05 15 10				4 to 20mA 0 to 5VDC 1 to 5VDC 0 to 10VDC
Accuracy					10 05			1.0% Full Scale 0.5% Full Scale
Electrical Connection						D H C M		Connector DIN43650 Hirschman Cable Outlet Cable Outlet with PUR - Cable M-12 4pin
Options							M2 N1 G4 F4	M20X1.5 (Male) ¼" NPT (Male) G1/4 (Male) G1/4 (Female)

## Popular Models

Model Number	Description
3120S-0200-G-42-10-D-N1	200psi, 1.0%, 4-20mA, DIN, 1/4"NPT
3120S-0300-G-42-10-D-N1	300psi, 1.0%, 4-20mA, DIN, 1/4"NPT
3120S-0500-S-42-10-D-N2	500psi, 1.0%, 4-20mA, DIN, 1/4"NPT
3120S-0005-G-42-05-D-N1	5psi, 0.5%, 4-20mA, DIN, 1/4"NPT
3120S-0015-G-42-05-D-N1	15psi, 0.5%, 4-20mA, DIN, 1/4"NPT
3120S-0030-G-42-05-D-N1	30psi, 0.5%, 4-20mA, DIN, 1/4"NPT
3120S-0050-G-42-05-D-N1	50psi, 0.5%, 4-20mA, DIN, 1/4"NPT
3120S-0100-G-42-05-D-N1	100psi, 0.5%, 4-20mA, DIN, 1/4"NPT
3120S-0150-G-42-05-D-N1	150psi, 0.5%, 4-20mA, DIN, 1/4"NPT
3120S-0200-G-42-05-D-N1	200psi, 0.5%, 4-20mA, DIN, 1/4"NPT
3120S-0300-G-42-05-D-N1	300psi, 0.5%, 4-20mA, DIN, 1/4"NPT
3120S-0500-S-42-05-D-N1	500psi, 0.5%, 4-20mA, DIN, 1/4"NPT
3120S-1000-S-42-05-D-N1	1000psi, 0.5%, 4-20mA, DIN, 1/4"NPT
3120S-5000-S-42-05-D-N2	5000psi, 0.5%, 4-20mA, DIN, 1/4"NPT
3120S-0005-G-42-10-C-N1	5psi, 1.0%, 4-20mA, Cable, 1/4"NPT
3120S-0015-G-42-10-C-N1	15psi, 1.0%, 4-20mA, Cable, 1/4"NPT
3120S-0030-G-42-10-C-N1	30psi, 1.0%, 4-20mA, Cable, 1/4"NPT
3120S-0050-G-42-10-C-N1	50psi, 1.0%, 4-20mA, Cable, 1/4"NPT
3120S-0100-G-42-10-C-N1	100psi, 1.0%, 4-20mA, Cable, 1/4"NPT
3120S-0150-G-42-10-C-N1	150psi, 1.0%, 4-20mA, Cable, 1/4"NPT
3120S-0200-G-42-10-C-N1	200psi, 1.0%, 4-20mA, Cable, 1/4"NPT
3120S-0300-G-42-10-C-N1	300psi, 1.0%, 4-20mA, Cable, 1/4"NPT
3120S-0500-S-42-10-C-N2	500psi, 1.0%, 4-20mA, Cable, 1/4"NPT
3120S-1000-S-42-10-C-N2	1000psi, 1.0%, 4-20mA, Cable, 1/4"NPT
3120S-0005-G-42-05-C-N1	5psi, 0.5%, 4-20mA, Cable, 1/4"NPT
3120S-0015-G-42-05-C-N1	15psi, 0.5%, 4-20mA, Cable, 1/4"NPT
3120S-0030-G-42-05-C-N1	30psi, 0.5%, 4-20mA, Cable, 1/4"NPT
3120S-0050-G-42-05-C-N1	50psi, 0.5%, 4-20mA, Cable, 1/4"NPT
3120S-0100-G-42-05-C-N1	100psi, 0.5%, 4-20mA, Cable, 1/4"NPT
3120S-0150-G-42-05-C-N1	150psi, 0.5%, 4-20mA, Cable, 1/4"NPT
3120S-0200-G-42-05-C-N1	200psi, 0.5%, 4-20mA, Cable, 1/4"NPT
3120S-0300-G-42-05-C-N1	300psi, 0.5%, 4-20mA, Cable, 1/4"NPT
3120S-0500-S-42-05-C-N1	500psi, 0.5%, 4-20mA, Cable, 1/4"NPT
3120S-1000-S-42-05-C-N1	1000psi, 0.5%, 4-20mA, Cable, 1/4"NPT


# Customer Service & Support




[www.tek-trol.com](http://www.tek-trol.com)

## **Tek-Trol LLC**

796 Tek Drive Crystal Lake,  
IL 60014, USA

 +1 847-857-6076

 [tekrol@tek-trol.com](mailto:tekrol@tek-trol.com)

 [www.tek-trol.com](http://www.tek-trol.com)

Tek-Trol is a fully owned subsidiary of TEKMATON LLC. We offer our customers a comprehensive range of products and solutions for process, power and oil & gas industries. Tek-Trol provides process measurement and control products for Flow, Level, Temperature & Pressure measurement, Control valves & Analyzer systems. We are present in 15 locations globally and are known for our knowledge, innovative solutions, reliable products and global presence.