

# *Tek-Sub 4800A*




## *PTFE Submersible Level Transmitter*



# Quick Start Guide

## 1. Before You Begin

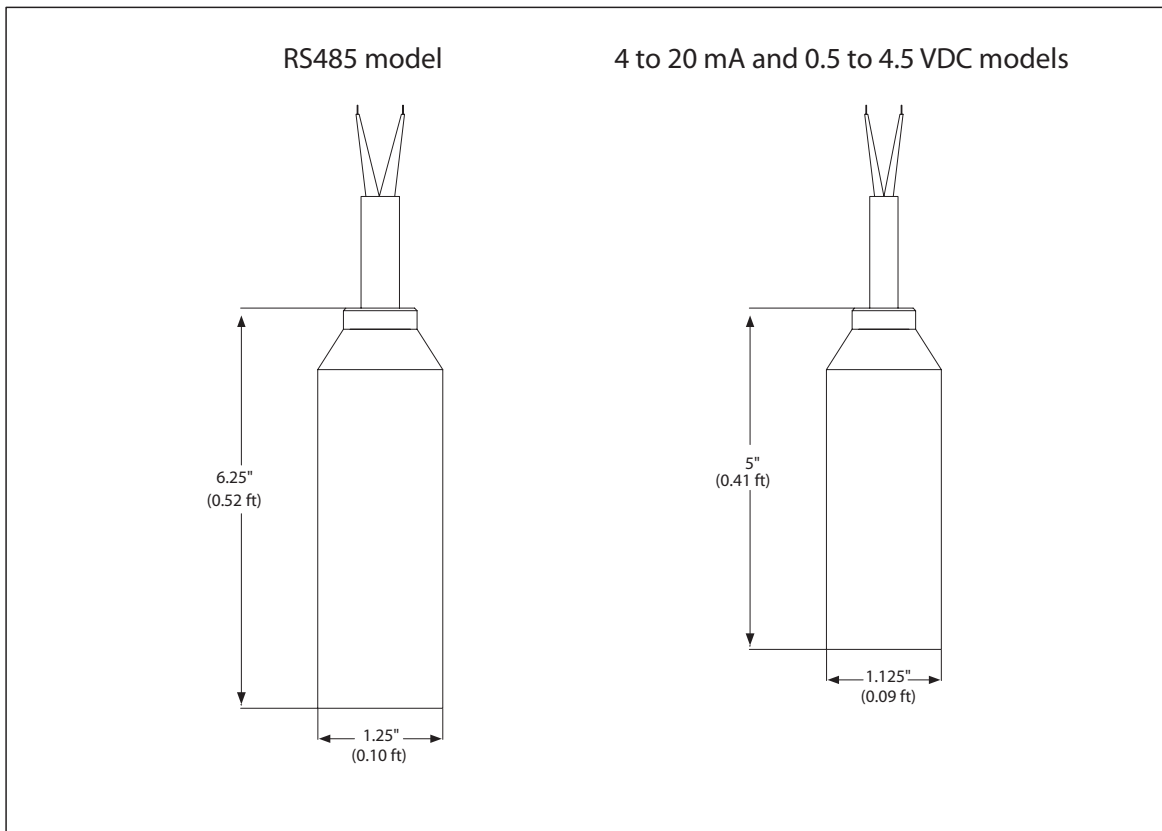
This guide provides basic guidelines to assist you in quickly getting started.

-  Installation of the device must be carried out by trained, qualified specialists authorized to perform such work by the facility's owner operator. The specialist must have read and understood these Operating Instructions and must follow the instructions they contain.
-  Handle the instrument with care, both in packed and unpacked condition.
-  All permissible media are specified in the data sheet. In addition, it has to be ensured that this media is compatible with the wetted parts of Tek-Sub 4800A.

## 2. Unpack

One Tek-Sub 4800A PTFE Submersible Level Transmitter

## 3. Dimensional Drawing



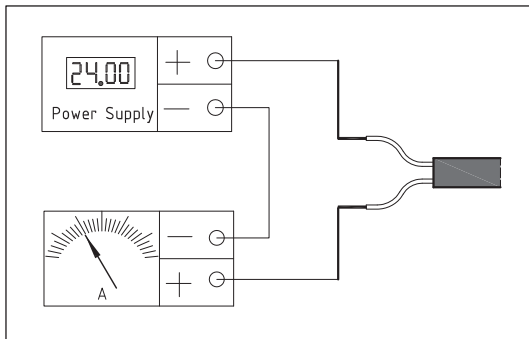
## 4. Power Supply Wirings

### Wiring Diagram

4~20mA/4~20mA+HART (2 wire)

Power+: Red

Signal+: Green

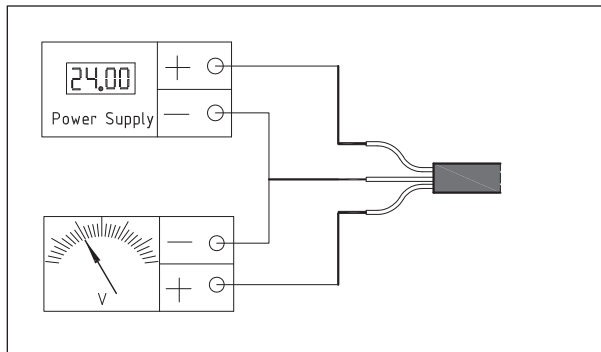


0~5voc/1~5voc/o.5~4.5V/0~10VDC3 wire)

Power+: Red

Gnd: Green

Signal+: Yellow



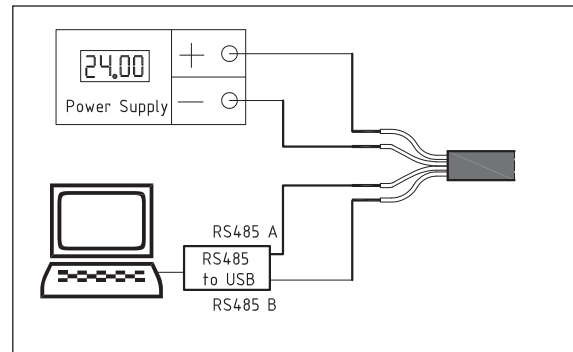
RS485 (4 wire)

Power+: Red

Gnd: Green

485 A: Yellow

485 B: Blue



# Quick Start Guide

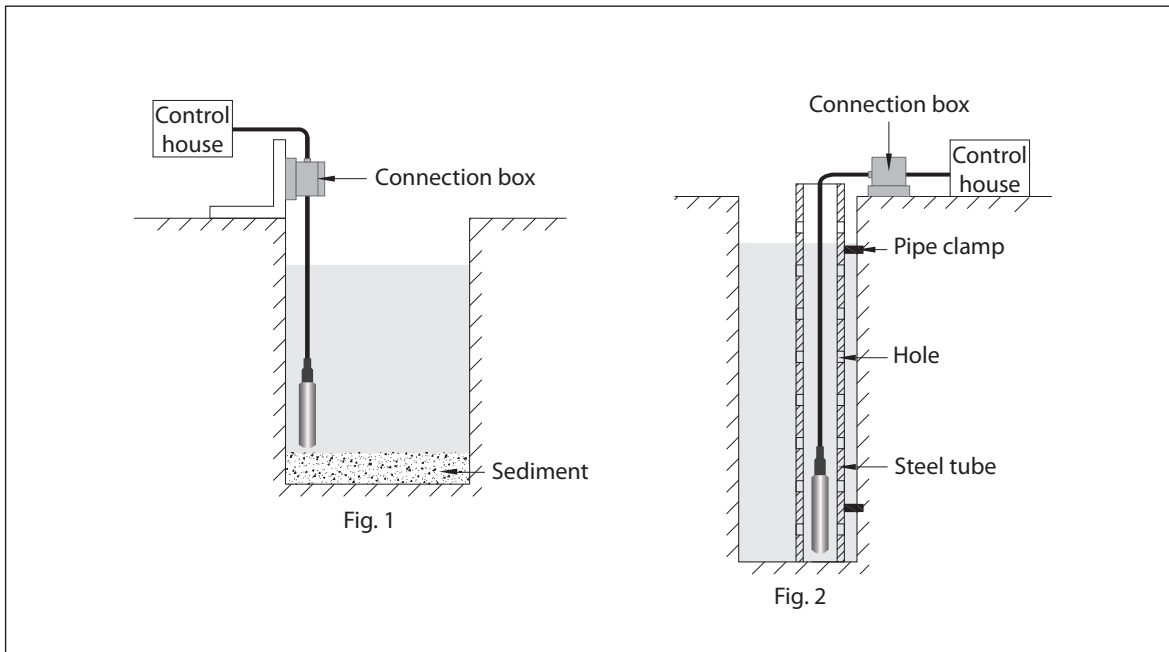
## 5. Installation

### Installation Methods

- The installation direction of transmitter is vertically down.
- In the water flow condition, the surface of the transmitter should be in parallel with the direction of the water flow.

### Installation in the Static Water

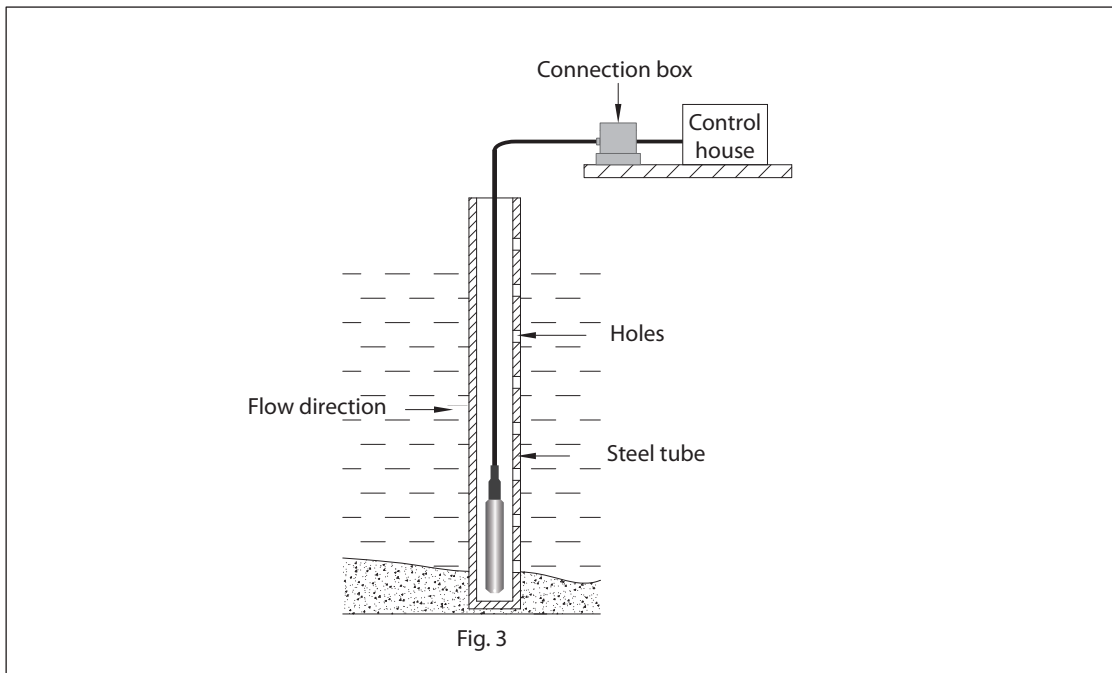
- Fig 1 shows the installation method used in case of static water.
- While pumping the liquid, the transmitter either should not be installed in the tank or it should be protected by steel tube as shown in Fig 2.



## Installation in an Open Channel (e.g. Reservoir area, river channel)

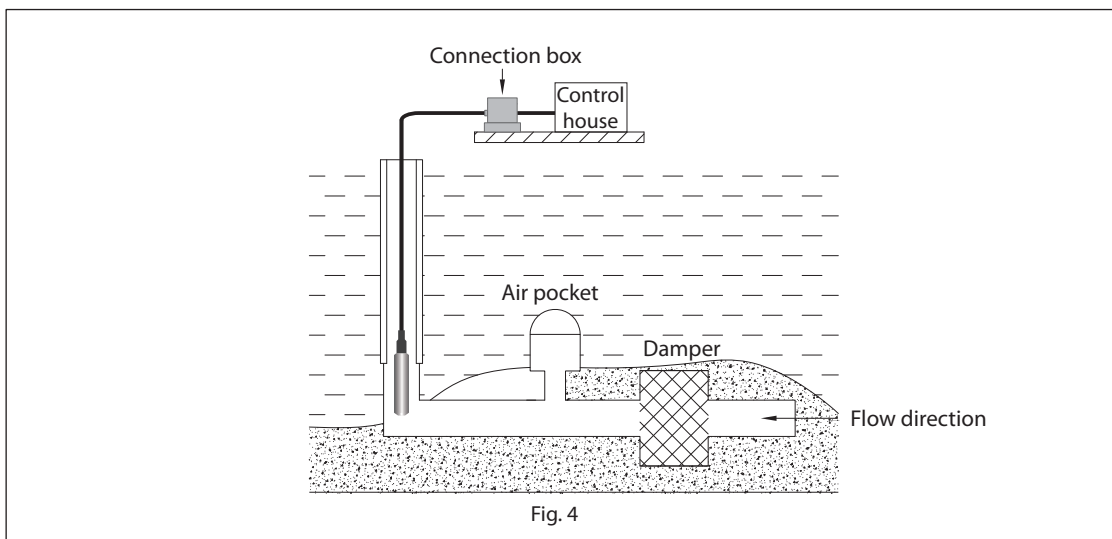
- **Method one: Insert a steel tube in the water channel (Fig 3)**

By providing the holes in a thick steel tube walls at different heights, the influence of the water pressure on the transmitter is eliminated and the waves are dampened.



- **Method two: Superficial burying is done in the sand and stone channel (Fig 4)**

This method not only eliminates pressure of the water flow and wave influence, but also filters the sand and mud particles.



# Quick Start Guide

## 6. Maintenance

Tek-Sub 4800A PTFE Submersible Level Transmitter does not require to be maintained regularly, but following points must be observed for better operation and reliability.

- Check whether the wire connection is reliable or not.
- Check whether the cable is damaged or not.
- Clean the protection cap and diaphragm space regularly.
- Do not pull the cables violently or poke the diaphragm with metal objects.

## 7. Error Identification

If there are following errors like,

- No output given
- Output is too little
- Output is too large
- Output is unreliable

Then,

- Check whether the installation and wiring connection are done according to the instruction manual.
- Check whether the excitation provided is correct or not.
- Check whether the reference tube is unobstructed or not.

If error persists, contact Tek-Trol representative immediately.



Technology Solutions




796 Tek Drive  
Crystal Lake, IL 60014  
USA

Fax: +1 847 655 6147

Email: [tektrol@tek-trol.com](mailto:tektrol@tek-trol.com)

[www.tek-trol.com](http://www.tek-trol.com)

---

 +1 847-857-6076

 [tektrol@tek-trol.com](mailto:tektrol@tek-trol.com)

 [www.tek-trol.com](http://www.tek-trol.com)

---

**Tek-Sub 4800A**