



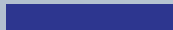
Technology Solutions

# *Tek-LCD 7800B-0L1*

## *Explosion-Proof Level Meter*

---

### Instruction Manual



## Disclaimer

The information contained in this document is subject to change without notice. Tek-Trol makes no representations or warranties with respect to the contents hereof; and specifically disclaims any implied warranties of merchantability or fitness for a particular purpose.



**CAUTION:** Read complete instructions prior to installation and operation of the meter.



**WARNING:** Risk of electric shock or personal injury.



### WARNINGS

- This product is not recommended for life support applications or applications where malfunctioning could result in personal injury or property loss. Anyone using this product for such applications does so at his/her own risk. Tek-Trol LLC shall not be held liable for damages resulting from such improper use.
- Failure to follow installation guidelines could result in death or serious injury. Make sure only qualified personnel perform the installation.
- Never remove the meter cover in explosive environments when the circuit is live.
- Cover must be fully engaged to meet flameproof/explosion-proof requirements.

## Limited Warranty

Tek-Trol LLC warrants this product against defects in material or workmanship for the specified period under "Specifications" from the date of shipment from the factory. Tek-Trol's liability under this limited warranty shall not exceed the purchase value, repair, or replacement of the defective unit.

## Registered Trademarks

All trademarks mentioned in this document are the property of their respective owners.

[www.tek-trol.com](http://www.tek-trol.com)

## Notice

Read this manual before working with the product. For personal and system safety, and for optimum product performance, make sure you thoroughly understand the contents before installing, using, or maintaining this product.

For technical assistance, contact

Customer Support

796 Tek-Drive

Crystal Lake, IL 60014

USA

Tel: +1 847 857 6076, +1 847 655 7428

© COPYRIGHT Tek-Trol LLC 2018

No part of this publication may be copied or distributed, transmitted, transcribed, stored in a retrieval system, or translated into any human or computer language, in any form or by any means, electronic, mechanical, manual, or otherwise, or disclosed to third parties without the express written permission. The information contained in this manual is subject to change without notice.

## INTRODUCTION

The Tek-LCD 7800B-0L1 is a rugged, explosion-proof loop-powered meter fully featured for demanding applications in hazardous areas or in the harshest environmental conditions. The bar graph representation of the process input is perfect for level applications and allows for quick assessment of current conditions. The meter derives all of its power from the 4-20 mA loop. It is programmed using the four through-glass buttons, without removing the cover, and can be scaled with or without a calibration signal. The numeric display will read up to 99999 and the alphanumeric display can be programmed to show any combination of numbers and letters up to seven characters long for use as engineering units, the process identification tag or a display for the calculated volume when using for level applications. The backlight lets you see the display under any lighting condition and can be powered from either the 4-20 mA loop or from a separate DC power supply. The enclosure is provided with two threaded conduit holes and integrated pipe or wall mounting slotted flanges.

## ORDERING INFORMATION

| Model Number  | Reorder Number    | Description  |
|---------------|-------------------|--|
| PD6800-0L1-TK | Tek-LCD 7800B-0L1 | Explosion-Proof Loop-Powered Level Meter with Bargraph |

### Accessories

| Model Number  | Reorder Number       | Description                               |
|---------------|----------------------|---|
| PDA0002-TK    | Tek-LCD 7800B-002    | 3/4" M-NPT to 1/2" F-NPT Approved Reducer |
| PDA6846-TK    | Tek-LCD 7800A-6846   | Steel Pipe Mounting Kit                   |
| PDA6846-SS-TK | Tek-LCD 7800A-6846SS | Stainless Steel Pipe Mounting Kit         |

Manufactured by Precision Digital Corporation  
 233 South St, Hopkinton MA 01748

# Table of Contents

|  |           |
|--|-----------|
| <b>INTRODUCTION</b> .....                                  | <b>3</b>  |
| <b>ORDERING INFORMATION</b> .....                          | <b>3</b>  |
| <b>SPECIFICATIONS</b> .....                                | <b>6</b>  |
| General .....  | 6         |
| Input .....  | 7         |
| Open Collector Output .....                                | 7         |
| Product Ratings and Approvals .....                        | 8         |
| Electromagnetic Compatibility .....                        | 9         |
| <b>SAFETY INFORMATION</b> .....                            | <b>9</b>  |
| <b>INSTALLATION</b> .....                                  | <b>10</b> |
| Unpacking .....  | 10        |
| Pre-Installed Conduit/Stopping Plug .....                  | 10        |
| Mounting .....   | 11        |
| Cover Jam Screw .....                                      | 11        |
| <b>Connections</b> .....                                   | <b>11</b> |
| Connections & Wiring Diagrams .....                        | 13        |
| External Acknowledge Connection .....                      | 14        |
| Open Collector Output Connections .....                    | 15        |
| <b>SETUP AND PROGRAMMING</b> .....                         | <b>16</b> |
| <b>Through-Glass Buttons</b> .....                         | <b>17</b> |
| Through-Glass Button Operation .....                       | 17        |
| Through-Glass Button Tips and Troubleshooting .....        | 17        |
| <b>Buttons and Display</b> .....                           | <b>18</b> |
| <b>Main Menu</b> .....                                     | <b>20</b> |
| <b>Setting Up the Meter (SETUP)</b> .....                  | <b>21</b> |
| Setting Numeric Values .....                               | 22        |
| Setting the Level Decimal Point (DECIMAL) .....            | 22        |
| Main Menu Display Functions & Messages .....               | 23        |
| Scaling the Meter (SCALE) .....                            | 24        |
| Minimum Input Span .....                                   | 25        |
| Scale Error Message (SPN ERR) .....                        | 25        |
| Scaling the Tank Level Indicator (PERCENT) .....           | 25        |
| Configuring the Display (DISPLAY) .....                    | 26        |
| Setting Up the Password (PASSWORD) .....                   | 28        |
| Locking the Meter .....                                    | 28        |
| Making Changes to a Password Protected Meter .....         | 28        |
| Disabling Password Protection .....                        | 29        |
| <b>Advanced Features Menu (ADVANCE)</b> .....              | <b>30</b> |
| <b>Advanced Features Menu &amp; Display Messages</b> ..... | <b>31</b> |
| Alarm Output (OUTPUT) .....                                | 33        |
| Input Signal Filter (FILTER) .....                         | 34        |
| Volume Display Scaling (VOLSCALE) .....                    | 34        |
| Level Input Live Signal Calibration (LVL CAL) .....        | 35        |

|   |           |
|---|-----------|
| Internal Calibration (ICPL).....                    | 36        |
| Level Input Multipoint Linearization (MULTIPT)..... | 37        |
| Information (INFO).....                             | 37        |
| <b>OPERATION -----</b>                              | <b>38</b> |
| Front Panel Buttons Operation -----                 | 38        |
| Display Maximum, Minimum, and Input Current -----   | 39        |
| Reset Meter to Factory Defaults -----               | 40        |
| Factory Defaults & User Settings -----              | 41        |
| <b>TROUBLESHOOTING -----</b>                        | <b>42</b> |
| Troubleshooting Tips-----                           | 42        |
| <b>MOUNTING DIMENSIONS -----</b>                    | <b>43</b> |
| <b>QUICK USER INTERFACE REFERENCE -----</b>         | <b>45</b> |
| <b>EU DECLARATION OF CONFORMITY -----</b>           | <b>47</b> |

## Table of Figures

|   |    |
|---|----|
| Figure 1. Connector Board .....                                 | 12 |
| Figure 2. Connections without Backlight.....                    | 13 |
| Figure 3. Connections with Loop-Powered Backlight.....          | 13 |
| Figure 4. Connections with Externally-Powered Backlight .....   | 14 |
| Figure 5. External Alarm Reset/Acknowledge Connections.....     | 14 |
| Figure 6. Connection to Device with Internal Pull-Up .....      | 15 |
| Figure 7. Output Connections .....                              | 15 |
| Figure 8. Scale Menu.....                                       | 24 |
| Figure 9. Enclosure Dimensions – Front View .....               | 43 |
| Figure 10. Enclosure Dimensions – Side Cross Section View ..... | 44 |

## SPECIFICATIONS

Except where noted all specifications apply to operation at +25°C.

### General

|                                  |  |  |
|----------------------------------|--|--|
| <b>DISPLAY</b>                   | Five digits<br>(-9999 to 99999)  | 0.60" (15.2 mm) high, 7-segment,<br>automatic lead zero blanking.      |
|                                  | Seven characters   | 0.4" (10.2 mm) high, 14-segment.                                       |
|                                  | Symbols  | Bar Graph which displays process<br>input from 0-100% of scaled value. |
|                                  | Backlight  | White  |
| <b>DISPLAY<br/>UPDATE RATE</b>   | Ambient > -25°C: 2 Updates/Second<br>Ambient < -25°C: 1 Update/5 Seconds   |  |
| <b>DISPLAY<br/>OVERRANGE</b>     | Display flashes <b>99999</b>   |  |
| <b>DISPLAY<br/>UNDERRANGE</b>    | Display flashes <b>-9999</b>   |  |
| <b>PROGRAMMING<br/>METHOD</b>    | Four through-glass buttons when cover is installed. Four<br>internal pushbuttons when cover is removed.  |  |
| <b>NOISE FILTER</b>              | Programmable <b>LQ</b> , <b>Ed</b> , <b>HI</b> , or <b>OFF</b>   |  |
| <b>RECALIBRATION</b>             | Recalibration is recommended at least every 12 months.   |  |
| <b>MAX/MIN<br/>DISPLAY</b>       | Max/Min readings reached by the process are stored until<br>reset by the user or until power to the meter is turned off.   |  |
| <b>PASSWORD</b>                  | Programmable password restricts modification of<br>programmed settings.  |  |
| <b>NON-VOLATILE<br/>MEMORY</b>   | All programmed settings are stored in non-volatile memory<br>for a minimum of ten years if power is lost.  |  |
| <b>NORMAL MODE<br/>REJECTION</b> | 64 dB at 50/60 Hz  |  |
| <b>ENVIRONMENTAL</b>             | Operating temperature range: -40 to 75°C<br>Storage temperature range: -40 to 75°C<br>Relative humidity: 0 to 90% non-condensing   |  |
| <b>CONNECTIONS</b>               | Screw terminals accept 12 to 22 AWG wire   |  |
| <b>ENCLOSURE</b>                 | Explosion-proof die cast aluminum with glass window,<br>corrosion resistant epoxy coating, color: blue. NEMA 4X, 7, &<br>9, IP68.<br>Two ¾" NPT threaded conduit openings. One ¾" NPT metal<br>conduit/stopping plug with 12 mm hex key fitting installed. |  |
| <b>MOUNTING</b>                  | May be mounted directly to conduit. Two slotted flanges for<br>wall mounting or NPS 1½" to 2½" or DN 40 to 65 mm pipe<br>mounting. See MOUNTING DIMENSIONS on page 43.   |  |
| <b>OVERALL<br/>DIMENSIONS</b>    | 5.65" x 5.25" x 4.86" (W x H x D)<br>(144 mm x 133 mm x 124 mm)  |  |
| <b>WEIGHT</b>                    | 5.00 lbs (80 oz, 2.27 kg)  |  |

**WARRANTY** 3 years parts and labor

## Input

**ACCURACY**  $\pm 0.03\%$  of calibrated span  $\pm 1$  count, square root & programmable exponent accuracy range: 10-100% of calibrated span.

**MULTI-POINT LINEARIZATION** 2 to 32 points

**PROGRAMMABLE EXPONENT** 1.0001 to 2.9999

**LOW FLOW CUT-OFF** 0-99999 (0 disables cutoff function)

**TEMPERATURE DRIFT** 50 PPM/ $^{\circ}\text{C}$  from  $-40$  to  $75^{\circ}\text{C}$  ambient

**DECIMAL POINT** User selectable decimal point

**MINIMUM SPAN** Input 1 & Input 2: 0.10 mA

**CALIBRATION RANGE** An *Error* message will appear if input 1 and input 2 signals are too close together.

| Input Range | Minimum Span Input 1 & Input 2 |
|-------------|--------------------------------|
| 4-20 mA     | 0.10 mA                        |

| MAXIMUM VOLTAGE DROP | Without Backlight or with Externally-Powered (DC Powered) Backlight | With Loop-Powered Backlight |
|----------------------|---|-----------------------------|
|                      | 3.0 VDC @ 20 mA   | 6.0 VDC @ 20 mA             |

|                      |                      |
|----------------------|----------------------|
| 150 $\Omega$ @ 20 mA | 300 $\Omega$ @ 20 mA |
|----------------------|----------------------|

| EQUIVALENT RESISTANCE | Maximum Power |        |        |        |
|-----------------------|---------------|--------|--------|--------|
|                       | 9 VDC         | 12 VDC | 24 VDC | 36 VDC |
| 3-36 VDC              | 0.2 W         | 0.25 W | 0.5 W  | 0.75 W |

**INPUT OVERLOAD** Over current protection to 2 A max.

**HART TRANSPARENCY** Analog input will not interfere with existing HART communications on the wired 4-20 mA signal

## Open Collector Output

**RATING** Isolated open collector, 30 VDC @ 150 mA max.


**ALARM OUTPUT** Assign to level or volume for high or low alarm trip point.

**DEADBAND** 0-100% FS, user selectable

**ACKNOWLEDGE** Front panel ENTER button and external RESET terminals resets output and screen indication.

## Product Ratings and Approvals

---

|              |   |
|--------------|---|
| <b>FM</b>    | Class I, Division 1, Groups B, C, D<br>Class II, Division 1, Groups E, F, G<br>Class III, Division 1; T6<br>Class I, Zone 1, AEx d IIC T6 Gb<br>Zone 21, AEx tb IIIC T85°C<br>Ta = -40°C to +75°C<br>Enclosure: Type 4X & IP66<br>Certificate number: 3040391 |
| <b>ATEX</b>  |  II 2 G D<br>Ex d IIC T6 Gb<br>Ex tb IIIC T85°C Db IP68<br>Ta = -40°C to +75°C<br>Certificate number: Sira 10ATEX1116X   |
| <b>CSA</b>   | Class I, Division 1, Groups B, C, D<br>Class II, Division 1, Groups E, F, G<br>Class III, Division 1; T6<br>Class I, Zone 1, Ex d IIC T6<br>Ta = -40°C to +75°C<br>Enclosure: Type 4X & IP66<br>Certificate number: 11 2325749                                |
| <b>IECEx</b> | Ex d IIC T6 Gb<br>Ex tb IIIC T85°C Db IP68<br>Ta = -40°C to +75°C<br>Certificate number: IECEx SIR 10.0056X   |

---

### **Special Conditions for Safe Use:**

Use suitably certified and dimensioned cable entry device and/or plug. The equipment shall be installed such that the supply cable is protected from mechanical damage. The cable shall not be subjected to tension or torque. If the cable is to be terminated within an explosive atmosphere, then appropriate protection of the free end of the cable shall be provided.

### **Year of Construction**

This information is contained within the serial number with the first four digits representing the year and month in the YYMM format.

**For European Community:** The Tek-LCD 7800B-0L1 must be installed in accordance with the ATEX directive 94/9/EC, and the product certificate Sira 10ATEX1116X.



## Electromagnetic Compatibility

|                           |  |
|---------------------------|--|
| <b>EMISSIONS</b>          | EN 61326:2013<br>Safety requirements for measurement, control, and laboratory use – Industrial<br>Group 1 Class A ISM emissions requirements |
| Radiated Emissions        | Class A  |
| <b>IMMUNITY</b>           | EN 61326:2013<br>Safety requirements for measurement, control, and laboratory use  |
| ESD                       | ±4 kV contact,<br>±8 kV air  |
| RFI – Amplitude Modulated | 80-1000 MHz @ 10 V/m,<br>1.4-2.0 GHz @ 3 V/m,<br>2.0-2.7 GHz @ 1 V/m,<br>80% AM (1 kHz)  |
| EFT                       | ±2 kV DC mains, ±1 kV other  |
| Telco Surge               | ±1 kV  |
| CRFI                      | 3 V, 0.15-80 MHz, 1 kHz 80% AM   |

## SAFETY INFORMATION



### WARNINGS

- Read complete instructions prior to installation and operation of the meter.
- Installation and service should be performed only by trained service personnel. Service requiring replacement of internal components must be performed at the factory.
- Disconnect from supply before opening enclosure. Keep cover tight while circuits are alive. Conduit seals must be installed within 18" (450mm) of the enclosure.
- Verify that the operating atmosphere of the meter is consistent with the appropriate hazardous locations certifications.
- If the meter is installed in a high voltage environment and a fault or installation error occurs, high voltage may be present on any lead

## INSTALLATION

**For Installation in USA:** The Tek-LCD 7800B-0L1 must be installed in accordance with the National Electrical Code (NEC) NFPA 70.

**For Installation in Canada:** The Tek-LCD 7800B-0L1 must be installed in accordance with the Canadian Electrical Code CSA 22.1. All input circuits must be derived from a CSA approved Class 2 source.

**For European Community:** The Tek-LCD 7800B-0L1 must be installed in accordance with the ATEX directive 94/9/EC and the product certificate Sira 10ATEX1116X.



Disconnect from supply before opening enclosure. Keep cover tight while circuits are alive. Conduit seals must be installed within 18" (450mm) of the enclosure.

Wiring connectors are accessed by opening the enclosure. To access electrical connectors, remove the 2 captive screws, then disconnect the ribbon cable from the display module and set the display module aside.

## Unpacking

Remove the meter from box. Inspect the packaging and contents for damage. Report damages, if any, to the carrier.

If any part is missing or the meter malfunctions, please contact your supplier or the factory for assistance.

## Pre-Installed Conduit/Stopping Plug

The Tek-LCD 7800B-0L1 is supplied with one pre-installed conduit plug for installations that do not require the use of both conduit entries. The conduit/stopping plug includes an internal hexagonal socket recess for removal. The pre-installed plug and installation is included in all hazardous area approvals of the Tek-LCD 7800B-0L1.



In hazardous areas, conduit and conduit/stopping plugs require the application of non-setting (solvent free) thread sealant. It is critical that all relevant hazardous area guidelines be followed for the installation or replacement of conduit or plugs.

## Mounting

The Tek-LCD 7800B-0L1 has two slotted mounting flanges that may be used for pipe mounting or wall mounting. Alternatively, the unit may be supported by the conduit using the conduit holes provided.

Refer to *Mounting Dimensions*, page 43 for details.



**WARNING**

Do not attempt to loosen or remove flange bolts while the meter is in service.

## Cover Jam Screw

The cover jam screw should be properly installed once the meter has been wired and tested in a safe environment. The cover jam screw is intended to prevent the removal of the meter cover in a flameproof environment without the use of tools. Using a M2 hex wrench, turn the screw clockwise until the screw contacts the meter. Turn the screw an additional 1/4 to 1/2 turn to secure the cover. Caution: Excess torque may damage the threads and/or wrench.

## Connections



**WARNINGS**


- Static electricity can damage sensitive components.
- Observe safe handling precautions for static-sensitive components.
- Use proper grounding procedures/codes.
- If the meter is installed in a high voltage environment and a fault or installation error occurs, high voltage may be present on any lead or terminal.

To access the connectors, remove the enclosure cover and unscrew the two captive screws that fasten the display module. Disconnect the ribbon cable and remove the display module. Signal connections are made to a four-terminal connector in the base of the enclosure. Grounding connections are made to the two ground screws provided on the base – one internal and one external.

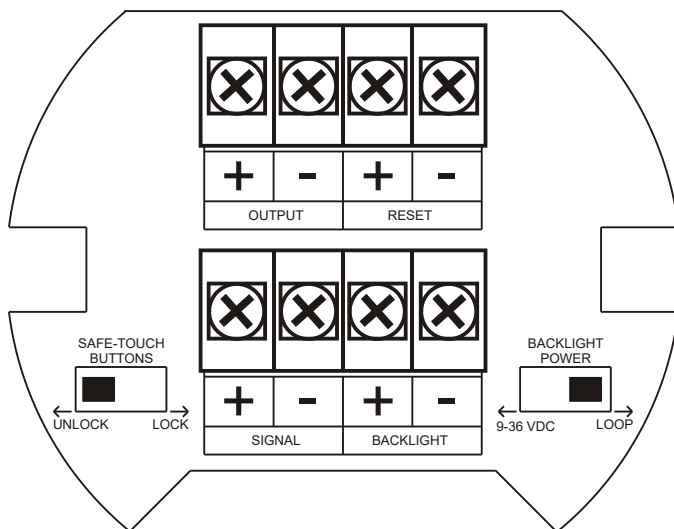
## Connections (continued)

|                    |  |
|--------------------|--|
| <b>SIGNAL +</b>    | 4-20 mA signal input positive terminal connection  |
| <b>SIGNAL -</b>    | 4-20 mA signal return/negative terminal connection when not using loop powered backlight.  |
| <b>BACKLIGHT +</b> | +9-36 VDC when powering backlight from external supply.  |
| <b>BACKLIGHT -</b> | 4-20 mA signal return/negative terminal when using the installed loop powered backlight or ground/negative when powering backlight from external supply. |
| <b>OUTPUT+</b>     | NPN open collector output positive.  |
| <b>OUTPUT-</b>     | NPN open collector output negative.  |
| <b>RESET +</b>     | Contact closure alarm acknowledge pull up to 3 VDC.  |
| <b>RESET-</b>      | Contact closure alarm acknowledge ground/negative.   |

Refer to Figure 1 for terminal positions.



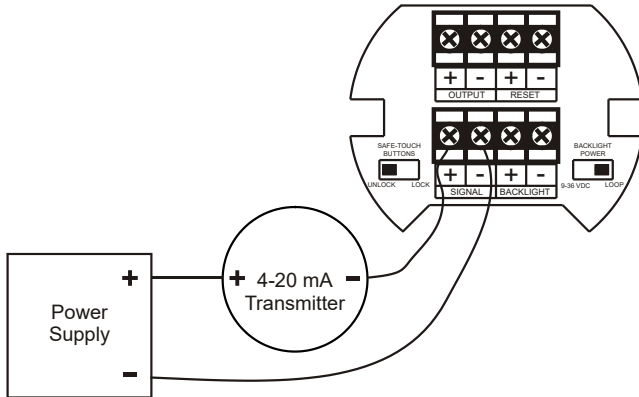
**WARNING** Observe all safety regulations. Electrical wiring should be performed in accordance with all agency requirements and applicable national, state, and local codes to prevent damage to the meter and ensure personnel safety.



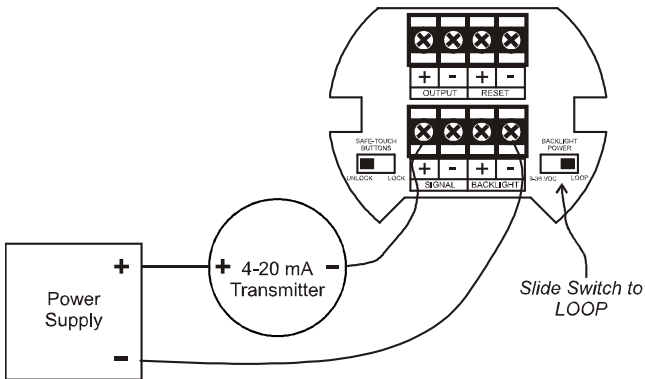
**Figure 1. Connector Board**

## Connections & Wiring Diagrams

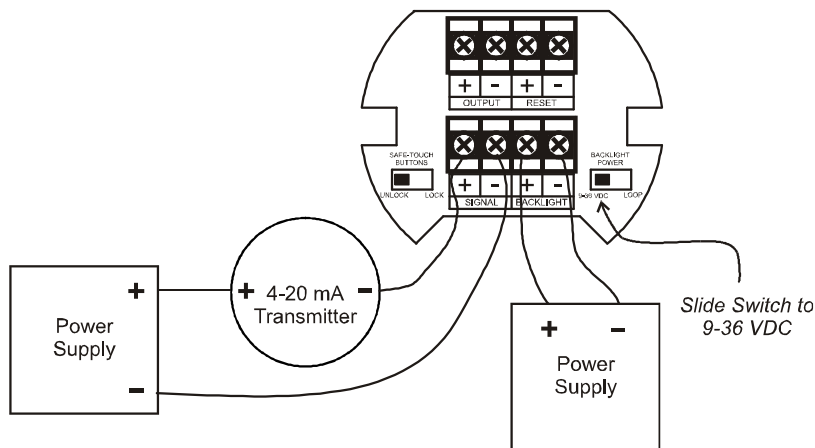
Signal connections are made to a four-terminal connector mounted in the base of the enclosure. The enclosure also provides one internal and one external earth grounding screw. For installations without backlight, only the two signal terminals are connected. The 4-20 mA input with no backlight has a maximum voltage drop of 3 V and is wired as shown in Figure 2. The loop-powered backlight configuration requires a total maximum voltage drop of 6 V. The backlight is recommended for dim lighting conditions and is enabled when wired as shown in Figure 3 or Figure 4.



**Figure 2. Connections without Backlight**



**Figure 3. Connections with Loop-Powered Backlight**

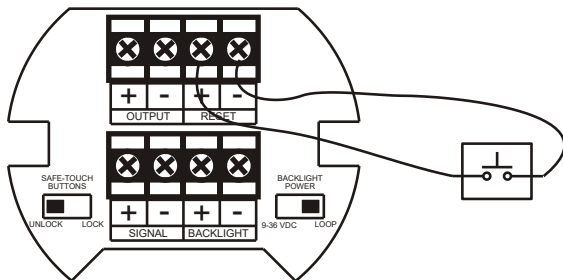


**Figure 4. Connections with Externally-Powered Backlight**

It is possible to use the same transmitter (signal loop) power supply for the externally powered backlight. The backlight circuit will draw 25 mA in addition to the loop circuit.

### External Acknowledge Connection

External acknowledge connections are made to two terminals labeled RESET. Connect to a contact closure source such as a relay or a pushbutton as shown in Figure 5.



**Figure 5. External Alarm Reset/Acknowledge Connections**

## Open Collector Output Connections

Output connections are made to two terminals labeled OUTPUT. Connect to an input device such as alarm indicator as shown in Figure 6, or drive a relay as shown in Figure 7.

**WARNING** To avoid damaging the Tek-LCD 7800B-0L1's amplifying components, use care not to wire incorrectly or exceed output ratings. A diode, such as 1N4000 series, will provide protection from relay transients.

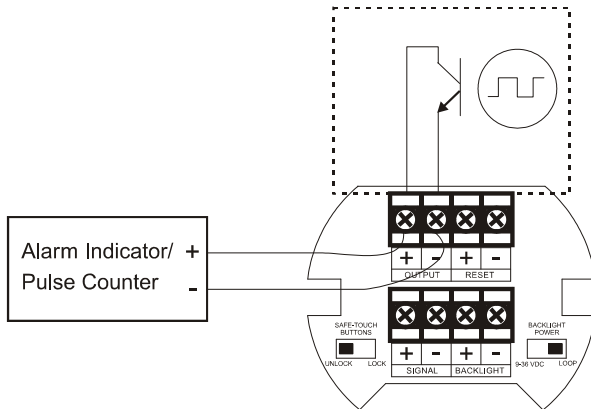


Figure 6. Connection to Device with Internal Pull-Up

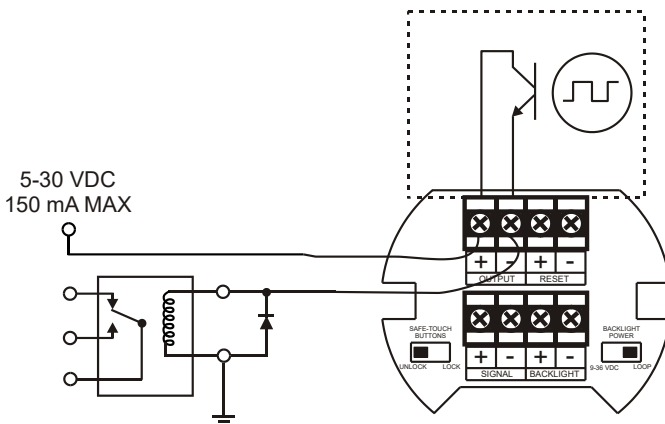


Figure 7. Output Connections

## SETUP AND PROGRAMMING

There is **no need to recalibrate** the meter for milliamps when first received from the factory.

The meter is **factory calibrated** for milliamps prior to shipment. The calibration equipment is traceable to NIST standards.

### Overview

Setup and programming are done through the infrared through-glass buttons, or using the mechanical buttons when uncovered. There are two slide switches located on the connector board. One is used to select backlight power (if equipped) and the other is to lock or unlock the through-glass buttons.

After all connections have been completed and verified, connect the ribbon cable to the display module, fasten the display module to the base, install enclosure cover, and then apply power.



## Through-Glass Buttons

The Tek-LCD 7800B-0L1 is equipped with four sensors that operate as through-glass buttons so that it can be programmed and operated without removing the cover (and exposing the electronics) in a hazardous area. These buttons can be disabled for security by selecting the LOCK setting on the SAFE-TOUCH BUTTONS switch located on the connector board in the base of the enclosure.

### Through-Glass Button Operation

To actuate a button, press and remove one finger to the glass directly over the marked button area. Remove finger to at least 4 inches away from the glass in between button activations. Through-glass and mechanical buttons may be held to cycle through menus or digits in place of repeatedly pushing a button.

The sensors are disabled when a mechanical button is pressed and will automatically be re-enabled after 60 seconds of inactivity.

### Through-Glass Button Tips and Troubleshooting

The through-glass buttons are designed to filter normal levels of ambient interference and to protect against false triggering, however it is recommended that the through-glass buttons be turned off (slide SAFE-TOUCH BUTTONS switch to OFF) if there is an infrared interference source in line-of-sight to the display or if the buttons are not needed.

Through-Glass Button Tips:

- To the extent possible, install the display facing away from sunlight, windows, reflective objects and any sources of infrared interference.
- Keep the glass window clean.
- Tighten the cover securely.
- Use a password to prevent tampering.
- If the cover has not been installed and secured tightly, it may take a moment for the through-glass buttons to properly self-calibrate when the cover is tightened.








#### **IMPORTANT**

Through-glass buttons will not work if two or more buttons are detected as being pressed simultaneously. As a result, be careful to avoid triggering multiple buttons or reaching across one button location to press another.

## Buttons and Display



| Button Symbol   | Description       | Symbol   | Status               |
|---|-------------------|--|----------------------|
|    | Menu              |  | Tank Level Indicator |
|  | Right arrow/Reset |  |                      |
|  | Up arrow/Display  |  |                      |
|  | Enter             |  |                      |

## Menu Button

- Press the **Menu** button to enter Programming Mode.
- Press the **Menu** button during Programming Mode to return to the previous menu selections.
- Hold the **Menu** button for 1.5 seconds at any time to exit Programming Mode and return to *Run Mode*.
- Press and hold the **Menu** button for 3 seconds to access the *Advanced Features* of the meter.

## Right / Reset Button

- Press the Right arrow button to reset the maximum or minimum value while it is being displayed (see **Up / Display Button** below).
- Press the **Right** arrow button to move to the next digit or decimal position during programming.
- Press **Right** to go backward through most selection menus.

## Up / Display Button

- Press Display when in Run Mode to cycle through displaying the maximum value, minimum value, and the loop input value in mA. The display will time out in 12 seconds. Press Display again to resume normal lower display operation (lower display will read RESUME).
- Press the **Up** arrow button to scroll forward through the menus, decimal point, or to increment the value of a digit.

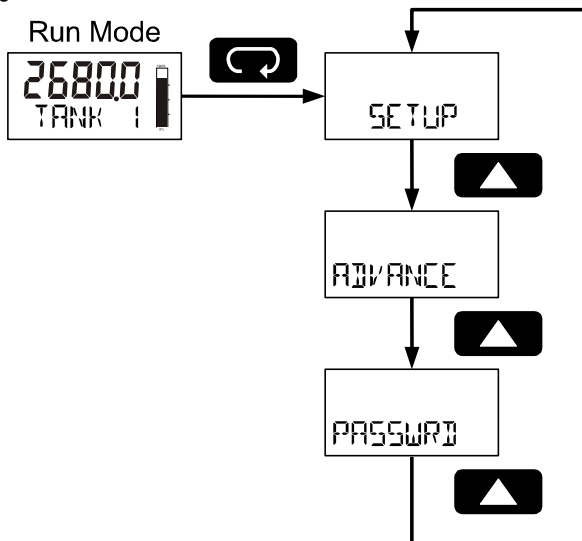
## Enter Button

- Press the **Enter** button to access a menu or to accept a setting.
- Press **Enter** to acknowledge alarm (if enabled).

## Main Menu

The main menu consists of the most commonly used functions: *Setup*, *Advanced*, and *Password*.

Press **MENU** button to enter *Programming Mode* then press the **Up Arrow** button to scroll through the main menu.



Hold **MENU**, at any time, to exit and return to *Run Mode*. Changes made to settings prior to pressing **ENTER** are not saved.

Press the **MENU** button during *Programming Mode* to return to return to the previous menu selections.

Changes to the settings are saved to memory only after pressing **ENTER**.

The display moves to the next menu every time a setting is accepted by pressing **ENTER**.

## Setting Up the Meter (SETUP)

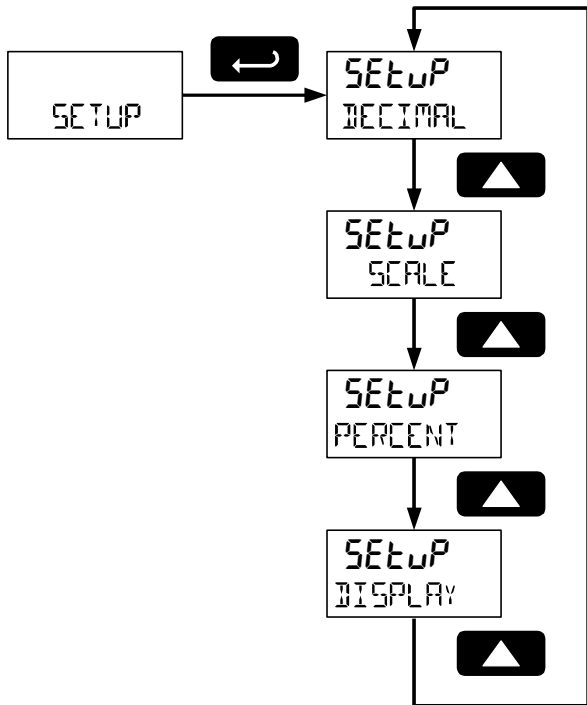
The *Setup* menu is used to select:

1. Engineering unit's decimal location
2. Engineering units display scale
3. Tank indicator full and empty values
4. Bottom display selection

Press the **ENTER** button to access any menu or press **UP** arrow button to scroll through choices.

Hold **MENU**, at any time, to exit and return to Run Mode. Changes made to settings prior to pressing **ENTER** are not saved.

Press the **MENU** button during Programming Mode to return to return to the previous menu selections.



## Setting Numeric Values

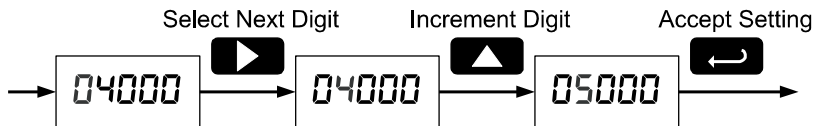
The numeric values are set using the **RIGHT** and **UP** arrow buttons. Press **RIGHT** arrow to select next digit and **UP** arrow to increment digit.

The digit being changed blinks.

Press the **ENTER** button, at any time, to accept a setting.

Hold **MENU**, at any time, to exit and return to Run Mode. Changes made to settings prior to pressing **ENTER** are not saved.

Press the **MENU** button during Programming Mode to return to return to the previous menu selections.

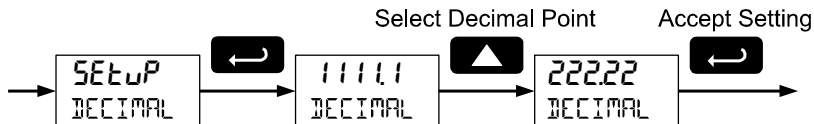


**Note:** The currently selected digit will blink. Pressing the Right Arrow button will select the next digit, causing it to blink.

## Setting the Level Decimal Point (DECIMAL)

Decimal point may be set with up to four decimal places or with no decimal point.

Pressing the **Right** arrow moves the decimal point one place to the right and pressing the **Up** arrow moves the decimal point one place to the left.



## Main Menu Display Functions & Messages

The meter displays various functions and messages during setup, programming, and operation. The following table shows the main menu functions and messages in the order they appear in the menu.

| Display  | Parameter                   | Action/Setting  |
|----------|-----------------------------|---|
| SETUP    | <i>Setup</i>                | Enter <i>Setup</i> menu   |
| DECIMAL  | <i>Decimal Point</i>        | Enter the decimal point location                                  |
| SCALE    | <i>Scale</i>                | Enter the <i>Scale</i> menu for engineering units                 |
| INPUT 1  | <i>Input 1</i>              | Set input 1 value in mA   |
| DISPLY 1 | <i>Display 1</i>            | Set display 1 engineering units                                   |
| INPUT 2  | <i>Input 2</i>              | Set input 2 value in mA   |
| DISPLY 2 | <i>Display 2</i>            | Set display 2 engineering units                                   |
| SAVE P   | <i>Save</i>                 | Save entered scale parameters                                     |
| SPAN ERR | <i>Span Error</i>           | Scale point 1 and 2 span error                                    |
| PERCENT  | <i>Percent</i>              | Scale the tank indicator full and empty values                    |
| 0 PCT    | <i>0 Percent</i>            | Set the tank empty value  |
| 100 PCT  | <i>100 Percent</i>          | Set the tank full value   |
| DISPLAY  | <i>Display</i>              | Enter <i>Bottom Display</i> menu                                  |
| TAG      | <i>Tag</i>                  | Display a custom unit or tag                                      |
| VOLUME   | <i>Volume</i>               | Display volume  |
| VOL+TAG  | <i>Volume + Tag</i>         | Display volume and custom tag                                     |
| PCT HT   | <i>Percent Height</i>       | Display percent height  |
| PCT+TAG  | <i>Percent Height + Tag</i> | Display percent height and custom tag                             |
| OFF      | <i>Off</i>                  | Disable bottom display  |
| ADVANCE  | <i>Advanced</i>             | Advanced Features Menu<br>(See Advanced Features Menu on page 30) |
| PASSWORD | <i>Password</i>             | Enter the <i>Password</i> menu                                    |
| UNLOCKED | <i>Unlocked</i>             | Program password to lock meter                                    |
| LOCKED   | <i>Locked</i>               | Enter password to unlock meter                                    |

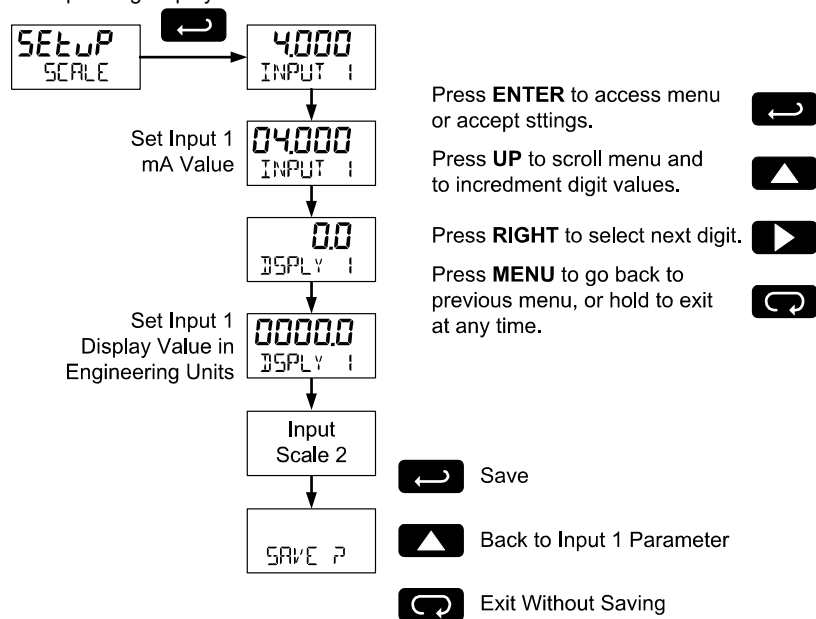
For instructions on how to program numeric values, see Setting Numeric Values on page 22.

## Scaling the Meter (SCALE)

The 4-20 mA input can be scaled to display the process in engineering units. To scale the meter, enter the value in milliamps (mA) for input 1, and then the corresponding engineering units display value. Do the same for input 2.

After entering the display 2 value, confirm the new scale by pressing **ENTER** at the Save menu.

A signal source is not needed to scale the meter; simply program the inputs and corresponding display values.



**Figure 8. Scale Menu**

For instructions on using multipoint scaling, see Level Input Multipoint Linearization (MULTIPOINT) on page 37.

For instructions on how to program numeric values see Setting Numeric Values, page 22.



## Minimum Input Span

The minimum input span is the minimum difference between input 1 and input 2 signals required to complete the calibration or scaling of the meter. The minimum span is 0.10 mA.

### Scale Error Message (SPN ERR)

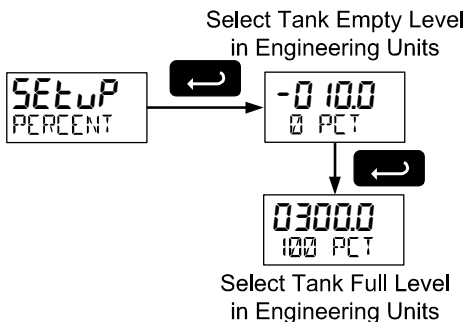
If the minimum span is not maintained, the meter will show a span error (SPN ERR) and revert to input 2, allowing the appropriate input signals to be applied.

## Scaling the Tank Level Indicator (PERCENT)

The display includes a 20-segment tank level indicator. This menu sets full and empty values, in engineering units, for the tank level indicator.

This value may differ from the 20 mA full-scale and 4 mA empty-scale values programmed in the *Scale* menu. This is ideal for level transmitters that output less than 20 mA at the maximum height of the tank or pit or more than 4 mA at the minimum height.

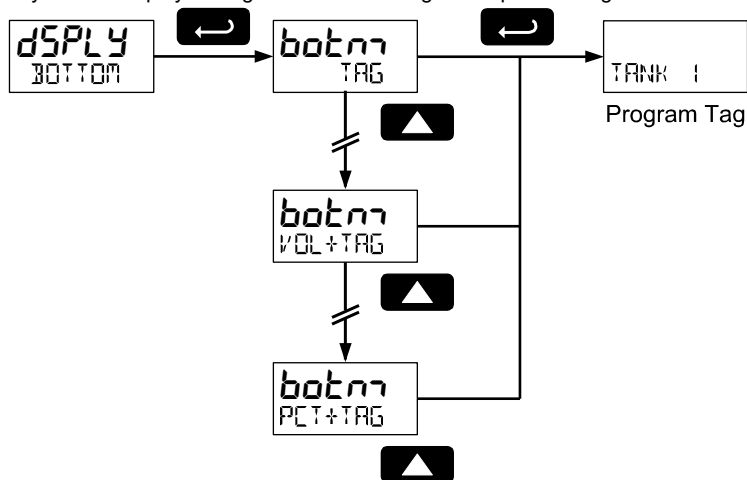
As an example, when using a level transmitter that outputs 20 mA at 25 meters, the tank height indicator may be set for a maximum of 10 meters. When the meter reaches 10 meters on the display, the tank height indicator will show full, even though the input is not 20 mA.



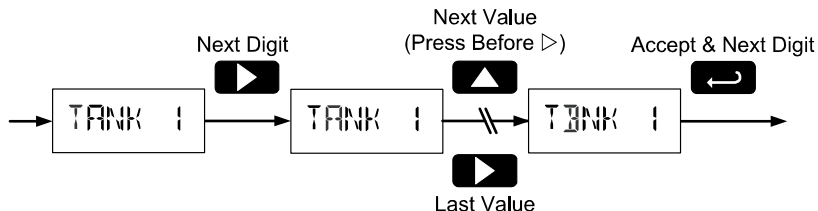


## Setting the TAG (TAG)

Any bottom display setting that includes a tag will require the tag to be entered.



The fully alphanumeric values for the tag are set using the **RIGHT** button to select the digit, the **UP** and **RIGHT** arrow buttons to select the digit reading, and the **ENTER** button to confirm and select the next digit.



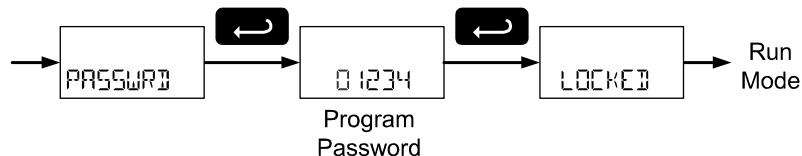
## Setting Up the Password (PASSWORD)

The *Password* menu is used to program a five-digit password to prevent unauthorized changes to the programmed parameter settings. A password protected meter will display **LOCKED** when the **MENU** button is pressed.

### Locking the Meter

Enter the *Password* menu and program a five-digit password.

For instructions on how to program numeric values see *Setting Numeric Values*, page 22.

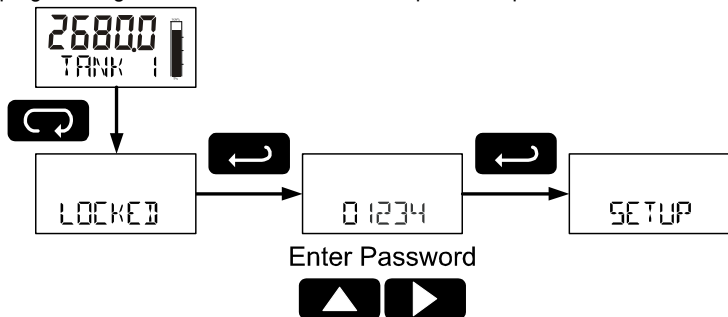


Record the password for future reference. If appropriate, it may be recorded in the space provided.

|                |           |
|----------------|-----------|
| Model:         |           |
| Serial Number: |           |
| Password:      | _ _ _ _ _ |

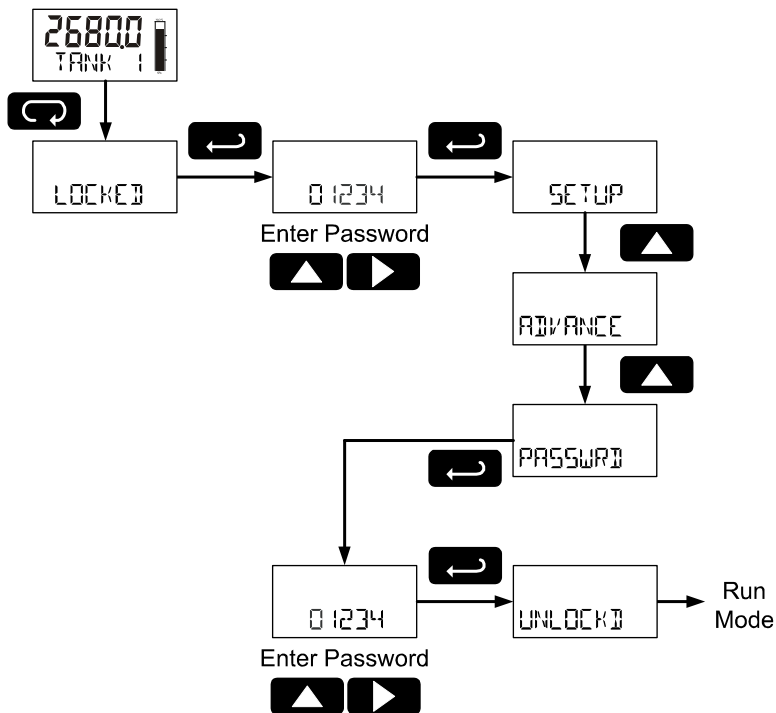
### Making Changes to a Password Protected Meter

If the meter is password protected, the meter will display the message **LOCKED** when the Menu button is pressed. Press the Enter button while the message is being displayed and enter the correct password to gain access to the menu. After exiting the programming mode, the meter returns to its password protected condition.



## Disabling Password Protection

To disable the password protection, access the *Password* menu and enter the correct password, as shown below.



If the correct five-digit password is entered, the meter displays the message **UNLOCKED** (*unlocked*) and the protection is disabled until a new password is programmed.

If the password entered is incorrect, the meter displays the message **LOCKED** and returns to Run Mode. To try again, repeat the above procedure.

### Did you forget the password?

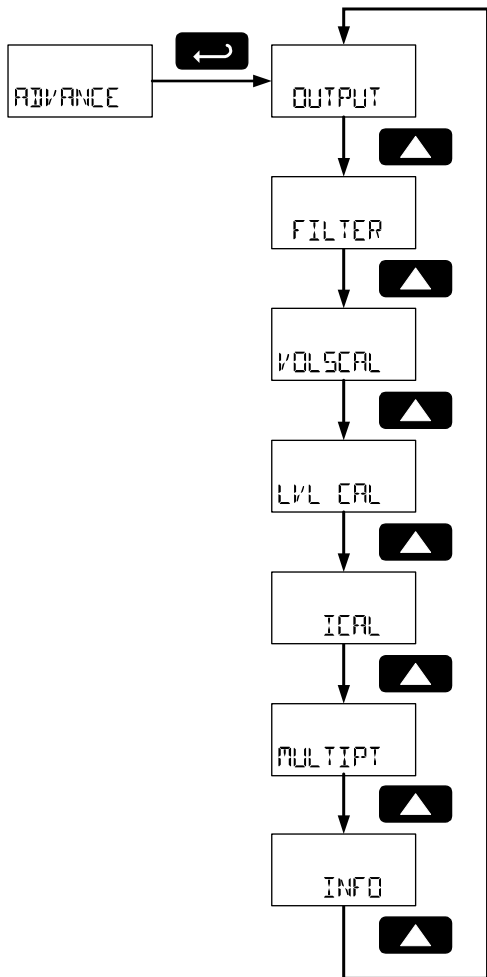
The password may be disabled by entering a master password. If you are authorized to make changes, enter the master password 50865 to unlock the meter.

## Advanced Features Menu (ADVANCE)

To simplify the setup process, functions not needed for most applications are located in the *Advanced Features Menu*. Access the *Advanced Features Menu* by pressing **ENTER** at the **ADVANCE** menu in the Main Menu defined on page **20**.

The *Advanced Features Menu* is used to select:

1. Open collector output configuration (OUTPUT)
2. Input filter (FILTER)
3. Volume display scale (VOLSCAL)
4. Live signal level display calibration (LVL CAL)
5. Internal Calibration (ICAL)
6. Multipoint linearization for level (MULTIPT)
7. Meter system information display (INFO)



## Advanced Features Menu & Display Messages

The following table shows the *Advanced* features menu functions and messages in the order they appear in the menu.

| Display        | Parameter                | Action/Setting                              |
|----------------|--------------------------|---|
| OUTPUT         | <i>Output</i>            | Enter output menu                           |
| OFF            | <i>Off</i>               | Disable output                              |
| ALARM          | <i>Alarm Output</i>      | Enter alarm output menu                     |
| LEVEL          | <i>Level Alarm</i>       | Assign alarm output to level                |
| SET            | <i>Set Point</i>         | Set alarm set point                         |
| RESET          | <i>Reset Point</i>       | Set alarm reset point                       |
| VOLUME         | <i>Volume Alarm</i>      | Assign alarm output to volume               |
| FILTER         | <i>Filter</i>            | Set noise filter                            |
| L0             | <i>Filter Low</i>        | Set noise filter to low setting             |
| MED            | <i>Filter Medium</i>     | Set noise filter to medium setting          |
| H1             | <i>Filter High</i>       | Set noise filter to high setting            |
| OFF            | <i>Filter Off</i>        | Disable noise filter                        |
| VOLSCALE       | <i>Volume Scale</i>      | Scale the volume display                    |
| VOL<br>DECIMAL | <i>Volume Decimal</i>    | Set the decimal position for volume scaling |
| NO PTS         | <i>Number of Points</i>  | Set the number of points for volume scaling |
| INPUT 1        | <i>Input 1</i>           | Set volume input 1 on the level display     |
| DISPLY 1       | <i>Display 1</i>         | Set volume display 1                        |
| INPUT 2        | <i>Input 2</i>           | Set volume input 2 on the level display     |
| DISPLY 2       | <i>Display 2</i>         | Set volume display 2                        |
| SAVE P         | <i>Save</i>              | Save entered volume scale parameters        |
| LVL CAL        | <i>Level Calibration</i> | Calibrate the level display                 |
| INPUT 1        | <i>Input 1</i>           | Calibrate input 1 value                     |
| DISPLY 1       | <i>Display 1</i>         | Set display 1 feet and inches               |
| INPUT 2        | <i>Input 2</i>           | Calibrate input 2 value                     |
| DISPLY 2       | <i>Display 2</i>         | Set display 2 feet and inches               |

| Display    | Parameter                   | Action/Setting   |
|------------|-----------------------------|--|
| SAVE P     | Save                        | Save entered calibration parameters                            |
| ICAL       | <i>Internal Calibration</i> | Enter internal reference calibration                           |
| 4000       | <i>4.000 mA</i>             | Calibrate input at 4 mA  |
| 20000      | <i>20.000 mA</i>            | Calibrate input at 20 mA                                       |
| Error SPAN | <i>Error Span</i>           | Error with calibration point 1 and 2 span                      |
| MULTIPT    | <i>Multipoint</i>           | Set level display multipoint linearization                     |
| DISABLE    | <i>Disable</i>              | Disable multipoint linearization                               |
| ENABLE     | <i>Enable</i>               | Enable multipoint linearization                                |
| INFO       | <i>Meter Information</i>    | Show software number and version, or reset to factory defaults |
| SOFT       | <i>Software</i>             | Software number  |
| VER        | <i>Software Version</i>     | Software version   |
| DEFAULTS P | <i>Reset Defaults</i>       | Restore factory default parameter settings                     |



## Alarm Output (OUTPUT)

The Tek-LCD 7800B-OL1 is equipped with an NPN open collector output that may be set up for high or low alarm trip point based on the level display (LEVEL) or the volume scale (VOLUME). The output may be disabled by selecting OFF.

When the alarm is enabled for level and the alarm set point has been reached, the level display will flash, accompanied by the bottom display alternating between normal display and ALARM. A tank height indicator segment will flash at the level the alarm is set to while the level indicator is at or above the alarm point.

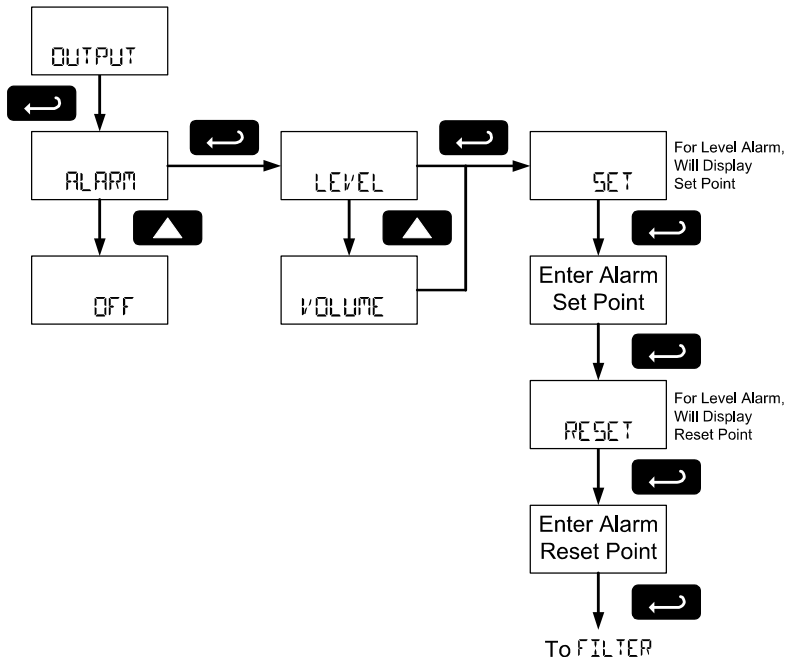
When the alarm is enabled for volume and the alarm set point has been reached, the bottom display will flash, alternating between its normal display and ALARM.

To set a high alarm, program the set point value to be greater than the reset point.

To set a low alarm, program the set point value to be less than the reset point.

To acknowledge an alarm, press the **ENTER** button once for acknowledge prompt and a second time to confirm. Acknowledging an alarm will turn off the alarm output and stop the display from flashing. The bottom display will continue to alternate between its normal display and ALARM until the alarm condition is cleared.

The alarm status will show on the display even if the output is not wired.



## Input Signal Filter (FILTER)

The noise filter is available for unusually noisy signals that cause an unstable process variable display. The noise filter averages the input signal over a certain period. The filter level can be set to low (L0), medium (MED), high (HI), or off (OFF). The higher the filter setting, the longer the averaging time and so the longer the display may take to find its final value.

The filter contains a noise filter bypass feature so that while small variations in the signal will be filtered out, large, abrupt changes to the input signal are displayed immediately.

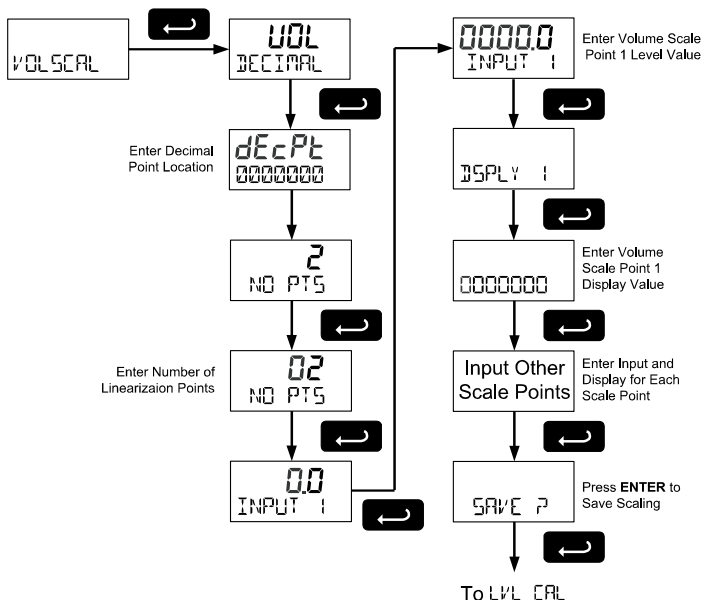
## Volume Display Scaling (VOLSCAL)

Volume may be scaled as a function of the level display. It may use up to 32-point linearization. The multi-point linearization can be used to linearize the display for non-linear signals such as those from level transmitters used to measure volume in odd-shaped tanks.

To display the volume, select a bottom display including the volume display in the *Display* menu as shown in Configuring the Display (DISPLAY) on page 26.

To scale the volume display, select the decimal point location (0, 1, 2, 3, or 4), then enter the level in engineering units for input 1, the corresponding volume display value, and the same for input 2.

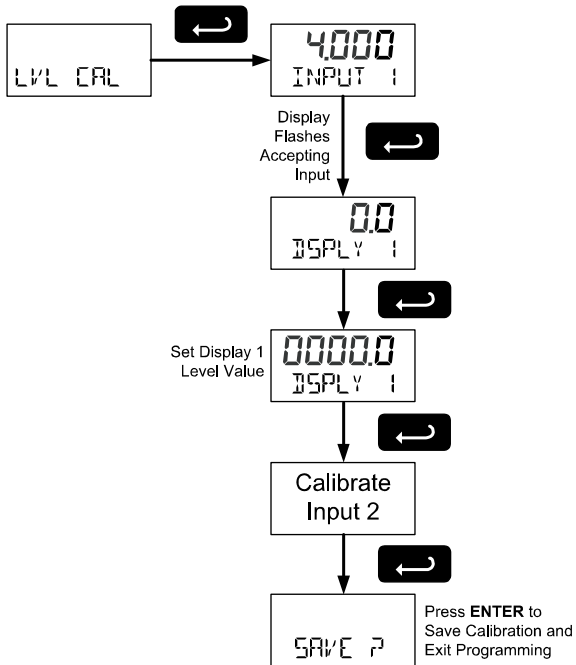
After entering the display 2 value, confirm the new volume scale by pressing **ENTER** at the Save menu.



## Level Input Live Signal Calibration (LVL CAL)

The meter can be calibrated using a current source instead of scaling. This process will override previously programmed scaling of the level display.

The use of a calibrated signal source is strongly recommended.



## Internal Calibration (ICRL)

There is **no need to recalibrate** the meter when first received from the factory. The meter is **factory calibrated** prior to shipment. The calibration equipment is traceable to NIST standards

The internal calibration is the meter's master calibration that makes scaling the meter without a signal source possible. Use of a calibrated signal source is necessary to perform an internal calibration of the meter. Check calibration of the meter at least every 12 months. Incorrect calibration will affect the ability of the meter to properly read, scale, and display the input.

### Notes:

The signal source must have a full-scale accuracy of 0.002% or better between 4 and 20 mA in order to maintain the specified accuracy of the meter.

Allow the meter to warm up for at least 15 minutes before performing the calibration procedure.

Press **MENU**, navigate to **ADVANCE** and press enter to access the *Advanced Features Menu*. Press the **UP** arrow button to scroll to the *Internal Calibration* menu (ICRL) and press **ENTER**.

The meter displays **4.000**. Apply a 4.000 mA signal and press **ENTER**. The display flashes for a moment while the meter is accepting the signal.

After the signal is accepted, the meter displays **20.000**. Apply a 20.000 mA signal and press **ENTER**. The display flashes for a moment while the meter is accepting the signal.

### Calibration Error Message (*Error SPAN*)

An error message indicates that the calibration process was not successful. After the error message is displayed, the meter will revert to the **4.000** calibration menu. The error message might be caused by inadvertently leaving the signal at the previous level or not maintaining the minimum span. Press the **MENU** button to cancel the current calibration process if necessary.

## Level Input Multipoint Linearization (MULTIPT)

This menu enables multipoint linearization for scaling and calibrating of the level display.

Setting **MULTIPT** to **ENABLE** will alter the level display *Scaling* (See *Scaling the Meter* on page 24) and *Level Calibration* (See *Level Input Live Signal Calibration* on page 35) menus to include a *Number of Points* (NUMPTS) parameter before entering *Input 1*. 32-point linearization can be used to linearize the display for non-linear signals.

### Information (INFO)

The *Information* menu shows the software identification number and version number. To determine the software version of a meter:





Go to the *Information* menu (INFO) and press **ENTER** button.

Continue pressing **ENTER** to scroll through the software release number and software version.

Following the information display, the meter will exit the *Advanced Features* menu and return to run mode.

## OPERATION

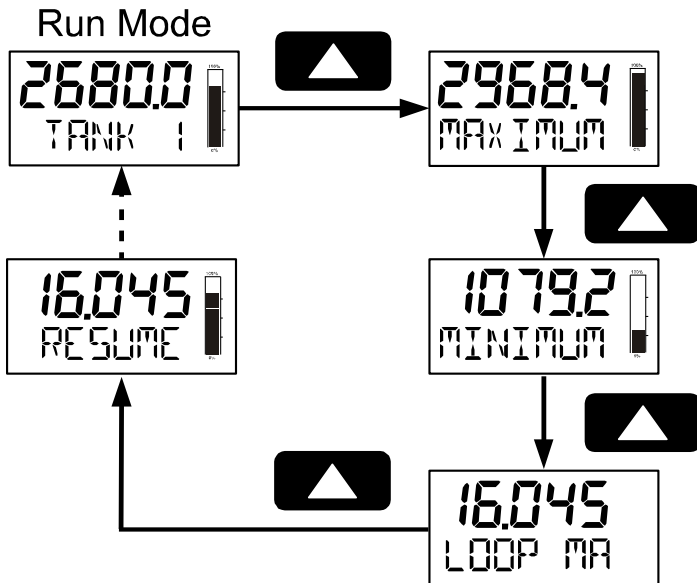
### Front Panel Buttons Operation

| Button Symbol   | Description  |
|---|--|
|  | Press to Enter or Exit Programming Mode  |
|  | Used to Reset Maximum and Minimum Values   |
|  | Press to Cycle Displaying Maximum Value, Minimum Value, and Input Current in mA<br>Press to Resume Run Mode in Lower Display |
|  | Press to Acknowledge Alarm (if Enabled)  |

## Display Maximum, Minimum, and Input Current

The maximum and minimum values and the measured input loop current may be displayed temporarily on the lower display. To display these values, press the **DISPLAY** button. The meter will display the word **MAXIMUM** on the bottom display and the maximum value reached (since the last maximum reset) on the top display. Press the **DISPLAY** button again and the meter will display the word **MINIMUM** on the bottom display and the minimum value reached on the top display. Pressing the **RESET** button while either of these values is displayed will reset that value to the current display value.

Press the **DISPLAY** button a third time and the meter will display **LOOP MA** on the bottom display and the measured input current in milliamps (mA) on the top display. The current display will remain for 10 seconds and then the lower display will return to normal run mode as programmed in Configuring the Display (**DISPLAY**) on page 26. Press the **DISPLAY** button a fourth time to return to the normal operation. The meter will display **RESUME** followed by the run mode lower display.



## Reset Meter to Factory Defaults

When the parameters have been changed in a way that is difficult to determine what's happening, it might be better to start the setup process from the factory defaults.

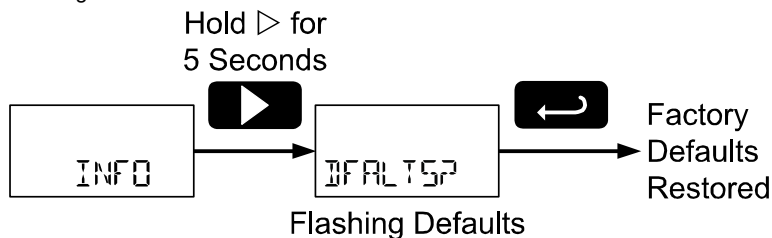
Instructions to load factory defaults:

Enter the *Advanced Features Menu*.

Press and hold **Reset** button when `INFO` is shown. For information on navigating to the *Information* menu, refer to *Advanced Features Menu* on page 30.

Press **Enter** when `rESEt DEFALTSP` prompt is shown

Note: If **Enter** is not pressed within three seconds, the prompt will stop flashing return to showing `INFO`.





## Factory Defaults & User Settings

The following table shows the factory setting for most of the programmable parameters on the meter. Next to the factory setting, the user may record the new setting for the particular application.

Model: \_\_\_\_\_ S/N: \_\_\_\_\_ Date: \_\_\_\_\_

| Parameter                        | Display                   | Default Setting  | User Setting |
|----------------------------------|---------------------------|------------------|--------------|
| <b>Basic Setup</b>               |                           |                  |              |
| Level Decimal Point              | DECIMAL                   | 1111.1           |              |
| Input 1                          | INPUT 1                   | 4.000 mA         |              |
| Display 1                        | DISPLY 1                  | 0.0              |              |
| Input 2                          | INPUT 2                   | 20.00 mA         |              |
| Display 2                        | DISPLY 2                  | 100.0            |              |
| Tank Indicator 0%                | 0 PCT                     | 0.0              |              |
| Tank Indicator 100%              | 100 PCT                   | 100.0            |              |
| Bottom Display                   | BOTTOM                    | Tag              |              |
| Bar Graph                        | GRAPH                     | On               |              |
| Tag                              | TAG                       | TANK 1           |              |
| <b>Advanced Features</b>         |                           |                  |              |
| Output                           | OUTPUT                    | Off              |              |
| Filter                           | FILTER                    | Low              |              |
| Volume Decimal Point             | <del>UOL</del><br>DECIMAL | 0000000          |              |
| Volume Scale<br>Number of Points | NO PTS                    | 02               |              |
| Volume Scale Input 1             | INPUT 1                   | 0.0              |              |
| Volume Display 1                 | DISPLY 1                  | 0                |              |
| Volume Scale Input 2             | INPUT 2                   | 100.0            |              |
| Volume Display 2                 | DISPLY 2                  | 100,000          |              |
| Multipoint                       | MULTIPT                   | Disable          |              |
| <b>Password</b>                  |                           |                  |              |
| Password                         | PASSWORD                  | 00000 (unlocked) |              |

## TROUBLESHOOTING

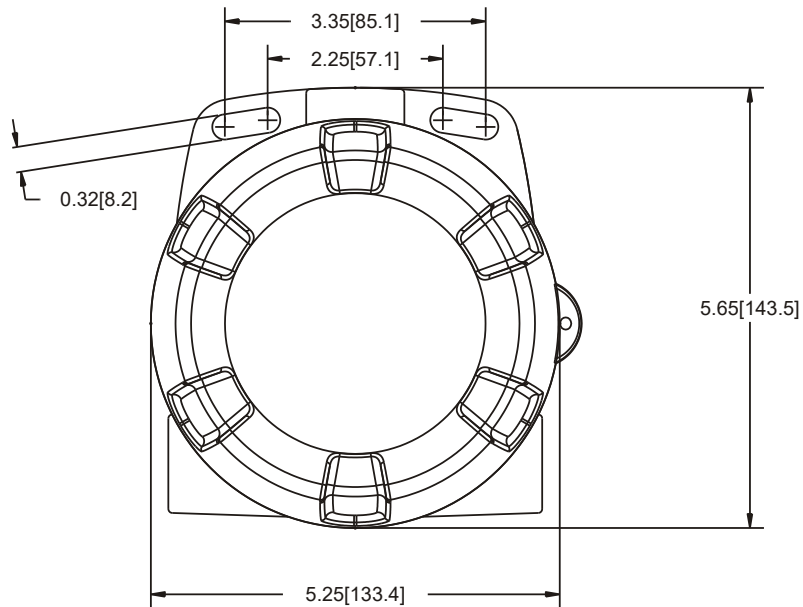
Due to the many features and functions of the meter, it's possible that the setup of the meter does not agree with what an operator expects to see. If the meter is not working as expected, refer to the *Diagnostics* menu and consult the recommendations described below.

### Troubleshooting Tips

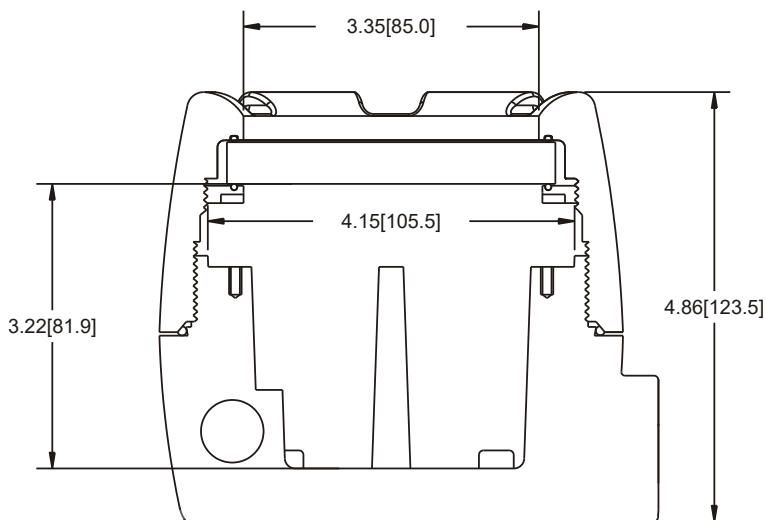
| Symptom   | Check/Action   |
|---|--|
| No display or faint display   | Check input signal connections.<br>Perform hard reset by shorting S+ and S- terminals.   |
| Level display unsteady  | Increase filter setting in <i>Advanced</i> menu.   |
| Meter displays error message during calibration ( <i>Error SPAN</i> ) | Check signal connections.<br>Verify minimum input span requirements  |
| Level display flashes 99999 or -9999                                  | Check input signal and scaling within range of 99999 and -9999   |
| Volume display flashes 9999999 or -999999                             | Check level display within volume scale range of 9999999 and -999999.  |
| Display response is too slow  | Check filter setting to see if it can be lowered to <i>LG</i> or <i>OFF</i> .  |
| If the display locks up or the meter does not respond at all          | Perform hard reset by shorting S+ and S- terminals.  |
| Backlight does not appear.  | Backlight is intended for viewing assistance in dim lighting conditions. It may not be noticeable under good lighting conditions.<br>Check connections are as shown in Figure 3 or Figure 4 on page 13.  |
| Other symptoms not described above                                    | Call Technical Support for assistance.   |
| Through-glass buttons do not respond                                  | Mechanical button was pushed, or through-glass slide switch is in lock position. The through-glass buttons will be re-enabled automatically 60 seconds after the last button push.<br>If slide switch on connector board is in Lock position, switch to Unlock.<br>Sunlight can interfere with the sensors. It is recommended to shield the window from sunlight while operating the buttons by standing so as to block direct sunlight. |

## MOUNTING DIMENSIONS

All units: inches [mm]



**Figure 9. Enclosure Dimensions – Front View**

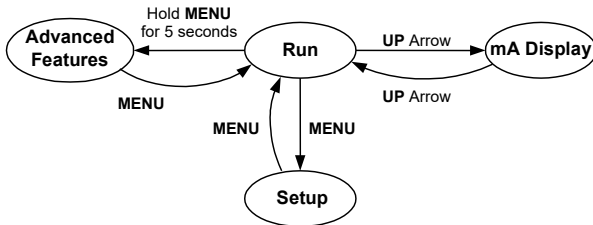


**Figure 10. Enclosure Dimensions – Side Cross Section View**

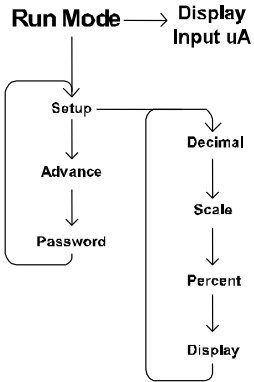
## QUICK USER INTERFACE REFERENCE

| Pushbutton         | Function   |
|--------------------|--|
| <b>MENU</b>        | Go to programming mode or leave programming. Hold for 5 seconds to enter <i>Advanced Features</i> menu directly. |
| <b>RIGHT Arrow</b> | Move to next digit. Go to previous menu or alphanumeric character selection. Reset max or min while displayed.   |
| <b>UP Arrow</b>    | Move to next selection or increment digit. Cycle through maximum, minimum, and mA display mode.                  |
| <b>ENTER</b>       | Accept selection/value and move to next selection.<br>Acknowledge alarms.  |

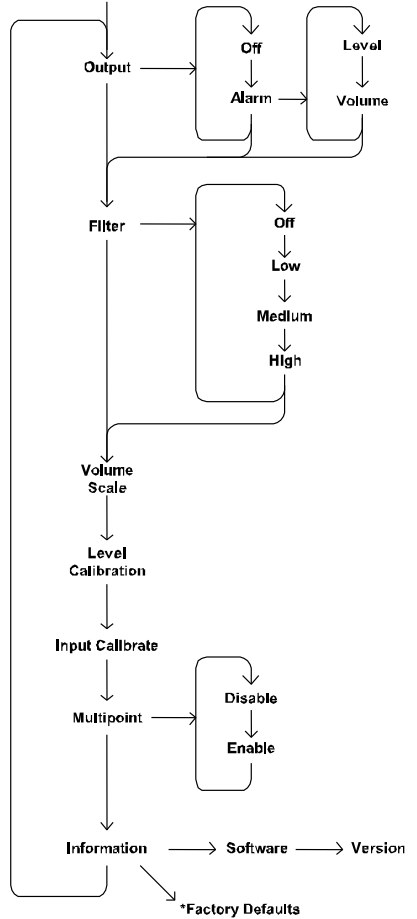
### Operational Modes



# Main Menu



# Advanced Menu



\*Access by holding **Right/Reset** for 3 seconds

# EU DECLARATION OF CONFORMITY

Issued in accordance with ISO/IEC 17050-1:2004 and ATEX Directive 2014/34/EU.

We,

**Precision Digital Corporation**  
**233 South Street**  
**Hopkinton, MA 01748 USA**

as the manufacturer, declare under our sole responsibility that the product(s),

**Model PD6800 Series Loop Powered Meter**

to which this declaration relates, is in conformity with the European Union Directives shown below:

|                   |                              |
|-------------------|------------------------------|
| <b>2014/35/EU</b> | <b>Low Voltage Directive</b> |
| <b>2014/34/EU</b> | <b>ATEX Directive</b>        |
| <b>2014/30/EU</b> | <b>EMC Directive</b>         |
| <b>2011/65/EU</b> | <b>RoHS Directive</b>        |

This conformity is based on compliance with the application of harmonized or applicable technical standards and, when applicable or required, a European Union notified body certification.

## Standards:

|                   |                   |                 |
|-------------------|-------------------|-----------------|
| EN 55022:2007     | EN 61000-6-2:2005 | EN 60079-0:2009 |
| EN 61000-6-4:2004 | EN 60079-1:2007   | EN 61010-1:2001 |
| EN 60079-31:2009  | EN 61326:2006     |                 |

The standards EN 55022:2007, EN 60079-0:2009, EN 60079-1:2007, EN 60079-31:2009, EN 61000-6-4:2004, EN 61010-1:2001, and EN 61326:2006 are no longer harmonized. The requirements of these standards have been checked against the harmonized standard EN 55022:2010, EN 60079-0:2012+A11:2013, EN 60079-1:2014, EN 60079-31:2014, EN 61000-6-4:2007+A1:2011, EN 61010-1:2010, and EN 61326:2013 and there were no major technical changes affecting the latest technical knowledge for the products listed above.

**EC Type Examination Certificate:** Sira 10ATEX1116X

## Product Markings:



II 2 G D  
Ex d IIC T6 Gb  
Ex tb IIIC T85°C Db IP68  
Tamb = -40°C to +75°C

**ATEX Notified Body for EC Type Examination Certificate:** Sira Certification Service, NB 0518  
Unit 6, Hawarden Industrial Park  
Hawarden, Deeside, CH5 3US, UK

**ATEX Quality Assurance Notification No.:** SIRA 10 ATEX M462

**ATEX Notified Body for Quality Assurance:** Sira Certification Service, NB 0518  
Unit 6, Hawarden Industrial Park  
Hawarden, Deeside, CH5 3US, UK

Signed for and on behalf of Precision Digital Corporation:

Name: Jeffrey Peters  
Company: Precision Digital Corporation  
Title: President  
Date: 02/12/2018





TEKMATION LLC reserves the right to change the designs and/or materials of its products without notice. The contents of this publication are the property of TEKMATON and cannot be reproduced by any other party without written permission. All rights reserved. Copyright © 2016 TEKMATON LLC  
DOC#TEK/TPS/MNL/78008-01/210520/01  
TEKMATION LLC



[www.tek-trol.com](http://www.tek-trol.com)

Tek-Trol is a fully owned subsidiary of TEKMATON LLC. We offer our customers a comprehensive range of products and solutions for process, power and oil & gas industries. Tek-Trol provides process measurement and control products for Flow, Level, Temperature & Pressure Measurement, Control Valves & Analyzer systems. We are present in 15 locations globally and are known for our knowledge, innovative solutions, reliable products and global presence.

## **Tek-Trol LLC**

796 Tek Drive Crystal Lake, IL 60014 USA  
Tel.: +1 847 857 6076 Fax: +1 847 655 6147  
Email: [tektrol@tek-trol.com](mailto:tektrol@tek-trol.com)  
[www.tek-trol.com](http://www.tek-trol.com)