



Technology Solutions

TEK-LCD 7800C

Panel Mount Loop-Powered Process Indicator



Decimal Display with Bar Graph

INDICATOR/
CONTROLLER

www.tek-trol.com

Flow | Level | Temperature | Pressure | Valves | Analyzers | Accessories | TekValSys

Introduction

Tek-LCD 7800C Panel Mount Loop-Powered Process Indicator 1/8 DIN digital panel meters can be installed virtually anywhere. It provides a convenient and informative display of any 4-20 mA signal. One of the most important feature of this instrument is the dual-line display. This dual-line display is mostly used to display the process variable on the 5-digit alphanumeric top line along with the units or a tag on the 8-digit alphanumeric bottom line. Tek-LCD 7800C Panel Meter can easily set up to display the input in one scale on the top and bottom line (such as feet and Gallon, respectively). Both theses top and bottom lines use 14- alphanumeric segment characters, which clearly indicate tags, units, and alarm messages.

The Tek-LCD 7800C Panel Mount Loop-Powered Process Indicator displays the 20-segment bar graph. This bar graph represents a numeric percent value. Tek-LCD 7800C Panel Meters do not require an external power source, as if virtually installed. This Loop-Powered Panel Meter consists of NEMA 4X, IP65 front panel, conformal coated PCBs, and a backlit LCD. Output can be easily read in bright sunlight or dimly lit areas due to backlit LCD. For programming and set up the meter, PC based software easily connects to the meter via USB cable. Also, the meter can be programmed, set up, and operated through the four front panel buttons.

Additionally, the digital input is used for the remote reset to trigger an alarm. All models are well equipped with two open collector outputs, which include two solid-state relays along with 4-20 mA analog output options. Hence, it is useful for alarm indication or pulse output.



Fig 1: Tek-LCD 7800C Panel Mount Loop-Powered Process Indicator

Display with Bar Graph



- 5-Digit Alphanumeric Top Line
- 8-Digit Alphanumeric Bottom Line
- 20-Segment Bargraph with Numeric Percentage

Fig 2: Decimal Display with Bar Graph

Features

- 4-20 mA Input.
- Loop-Powered Process Meter.
- 1.5 Voltage Drop (4.5 Voltage Drop with Backlight).
- Loop-Powered Backlight with Red Backlight for Alarm Conditions.
- NEMA 4X, IP65 front panel.
- Operating Temperature Range for Safe Area: -40 to 167°F (-40 to 75°C).
- PC-Based USB Programming Software.
- 5-Digit Alphanumeric Top Line.
- 8-Digit Alphanumeric Bottom Line.
- Displays Level in Feet and Inches (up to 999 Feet, 11 & 15/16 inches).
- 20-Segment Bar Graph with Numeric Percent Indication
- Conformal Coated PCBs for Dust and Humidity Protection.
- Two Open Collector Outputs Standard.
- Optional Loop-Powered Solid-State Relays.
- Optional 4-20 mA Analog Output.
- Relay Pump Alternation Based on Level and Runtime.
- Display Relay Runtime and Cycle Count.

Specifications

Note: All specifications apply to operation at 77°F (25°C).	
Display	Five Digits Top Display (-9999 to 99999) 3/4" (17.8 mm) high 14-segment alphanumeric Automatic lead zero blanking
	Seven Characters (Engineering Units) 1/2" (10.2 mm) high 14-segment alphanumeric
	Symbols High & Low Alarm, Password Lock
	Backlight Backlight
Display Update Rate	Ambient > -13°F: 2 Updates/Second Ambient < -13°F: 1 Update/5 Seconds
Overrange	Display flashes 99999
Underrange	Display flashes -9999
Programming Method	Four through-window buttons when cover is installed Four internal push-buttons when cover is removed
Recalibration	Recalibration is recommended at least every 12 months
Max/Min Display	Max/Min readings reached by the process are stored until reset by the user or until power to the meter is turned off
Password	Programmable password restricts modification of programmed settings
Non-Volatile Memory	All programmed settings are stored in non-volatile memory for a minimum of ten years
Normal Mode Rejection	64 dB at 50/60 Hz
Accuracy	±0.05% FS ±0.001mA
Temperature Range	Operating Temperature: -40°F to 167°F (-40°C to 75°C) for safe area products -40°F to 158°F (-40 to 70°C) for hazardous area products Storage Temperature: -40°F to 185°F (-40 to 85°C)
Relative Humidity	0 to 90% non-condensing Printed circuit boards are conformally coated

Dimensional Drawings

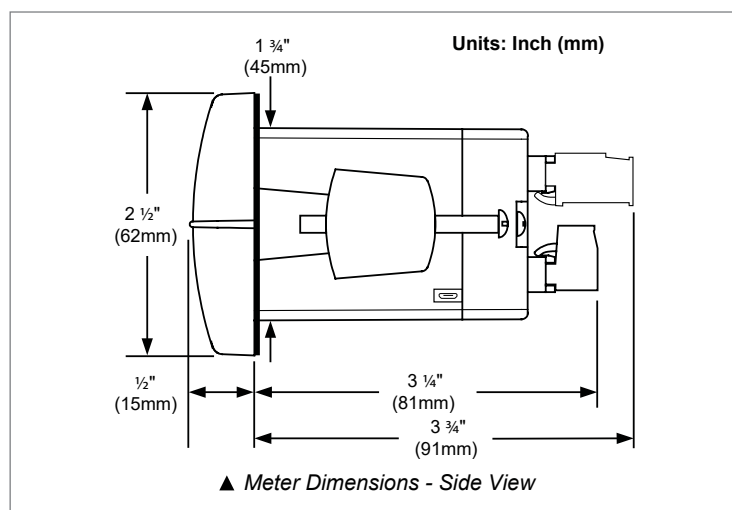


Fig 3: Enclosure Dimension - Side View

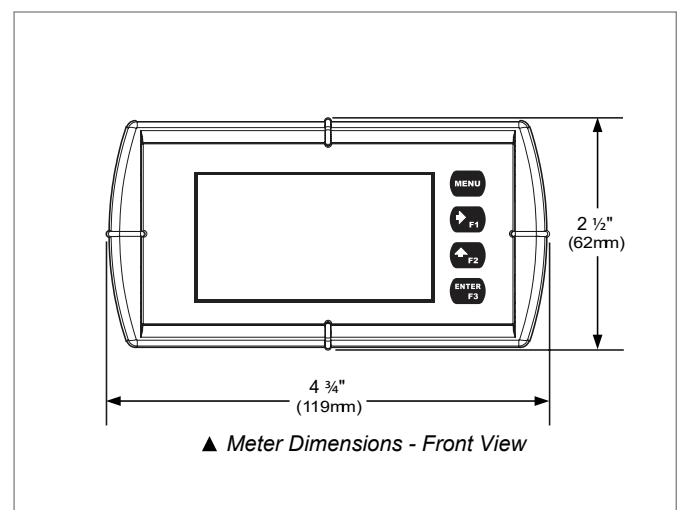


Fig 4: Enclosure Dimension - Front View

Popular Models

Base Model	
Model Number	Description
7800C-LNN	Loop-Powered, General Purpose, No Options

Advanced Model	
Model Number	Description
7800C-L2N	Loop-Powered, General Purpose, Two Solid State Relays
7800C-L3N	Loop-Powered, General Purpose, 4-20 mA Analog Output
7800C-L5N	Loop-Powered, General Purpose, Two Solid State Relays and 4-20 mA Analog Output

Enclosures

Model Number	Description
7800C-PDA2301	Plastic NEMA 4X Enclosure, Hinged Door, One 1/8 DIN Cutout
7800C-PDA2302	Plastic NEMA 4X Enclosure, Hinged Door, Two 1/8 DIN Cutout
7800C-PDA2303	Plastic NEMA 4X Enclosure, Hinged Door, Three 1/8 DIN Cutout
7800C-PDA2304	Plastic NEMA 4X Enclosure, Hinged Door, Four 1/8 DIN Cutout
7800C-PDA2305	Plastic NEMA 4X Enclosure, Hinged Door, Five 1/8 DIN Cutout
7800C-PDA2306	Plastic NEMA 4X Enclosure, Hinged Door, Six 1/8 DIN Cutout


Customer Service & Support




www.tek-trol.com

Tek-Trol LLC

796 Tek Drive Crystal Lake,
IL 60014, USA

 +1 847-857-6076

 tekrol@tek-trol.com

 www.tek-trol.com

Tek-Trol is a fully owned subsidiary of TEKMATON LLC. We offer our customers a comprehensive range of products and solutions for process, power and oil & gas industries. Tek-Trol provides process measurement and control products for Flow, Level, Temperature & Pressure measurement, Control valves & Analyzer systems. We are present in 15 locations globally and are known for our knowledge, innovative solutions, reliable products and global presence.

TEK-TROL LLC reserves the right to change the designs and/or materials of its products without notice. The contents of this publication are the property of TEK-TROL LLC and cannot be reproduced by any other party without written permission. All rights reserved. Copyright © 2020 TEK-TROL LLC
TEK-TROL LLC
DOC # TEK/TP-S/CAT/240520/7800C/01.2