



Technology Solutions

TEK-LCD 7801A

NEMA 4X Loop-Powered Feet and Inches Level Indicator



ACCESSORIES





Introduction

The Tek-LCD 7801A NEMA 4X Loop-Powered Feet and Inches Level Indicator

The Tek-LCD 7801A is one of Tek-Trol's most advanced and feature-packed plastic, field-mounted, loop-powered indicators designed specifically for level applications that require a feet and inches display. The Tek-LCD 7801A can indicate up to 399 feet, 11 and 15/16 (or 7/8) inches. The Tek-LCD 7801A is built in a NEMA 4X and IP65 rated plastic enclosure which can stand up to even the harshest environmental conditions. It features a dual-line display that can be easily scaled in the field for any 4-20 mA analog input. Two features that really make the Tek-LCD 7801A stand out are its wide viewing angle display and SafeTouch® through window buttons. These buttons allow the Tek-LCD 7801A tank-side indicator to be programmed and operated through the cover window, thus eliminating the need to remove the cover in dirty or wet environments.

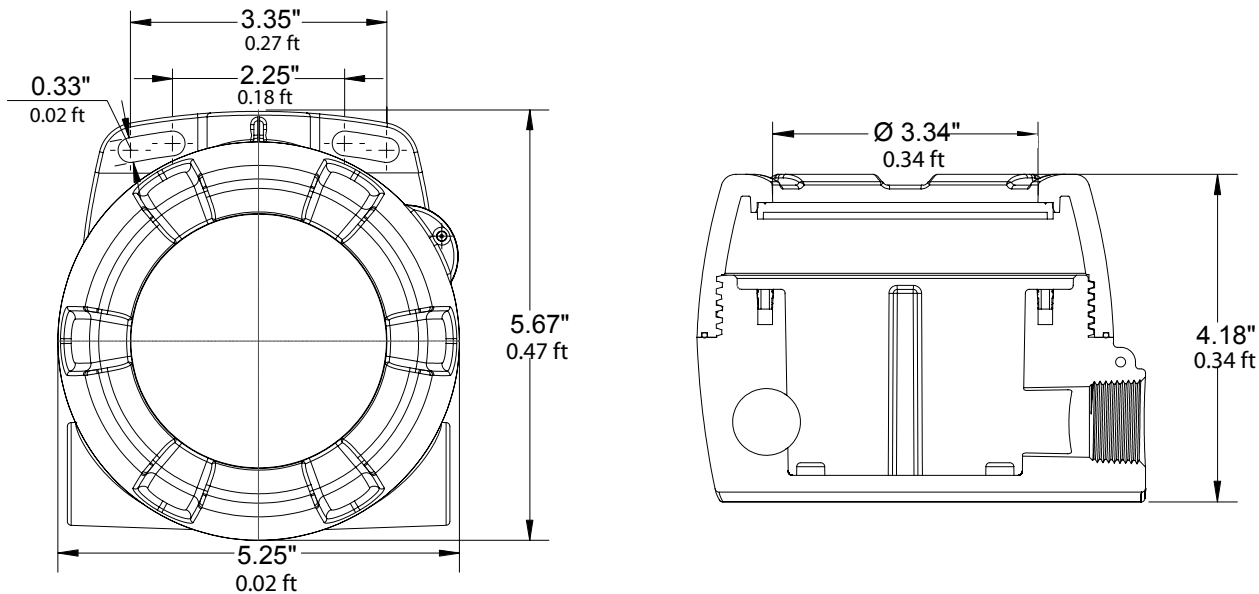
Features

- Display Level in Feet & Inches
- 4-20 mA Input Loop-Powered
- Programmable 1/8 or 1/16 Inch Display
- 20-Segment Tank Level Indicator
- Lower Display for Tag, Volume, or Percent
- SafeTouch® Through-Window Button Programming
- Open Collector Alarm Output
- Loop-Powered or External DC-Powered Backlight Standard
- Plastic NEMA 4X, IP65 Enclosure
- Operates from -40 °C to 75 °C (-40°F to 158°F)

Application

- Live Input Calibration
- Multi-Point Linearizer
- Square Root Extraction
- Programmable Exponent

Dimensional Drawings



Specifications

General

Display	Feet and Inches display: 0.60" (15.2 mm) high, 0 to 399 FT - 11 15/16 IN with 1/16 or 1/8 fraction display. Lower 7-digit display: 0.4" (10.2 mm) high, 14-segment alphanumeric characters, display tag, volume 0 to 9999999, and/or 0-100 percent. Tank Level Indicator: 20 segments, F (Full) and E (Empty) Alarm Indication: HI and LO; Backlight: White, loop or DC powered
Display Assignment	Lower display may be assigned to custom unit or tag, volume, volume and tag, percent height, percent height and tag, or off.
Display Update Rate	Ambient > -25 °C: 2 Updates/Second. Ambient < -25 °C: 1 Update/5 Seconds
Externally Powered Backlight	Voltage Range: 9-36 VDC
Over Range	Level display flashes to 399 FT 11 15/16 IN Volume display flashes 9999999 if over range
Under Range	Display flashes -999999
Programming Method	Four SafeTouch through-window buttons when cover is installed. Four internal pushbuttons when cover is removed.
Noise Filter	Programmable low (LO), medium (MED), high (HI), or off (OFF)
Recalibration	Recalibration is recommended at least every 12 months.
Password	Programmable password restricts modification of programmed settings.
Non-Volatile Memory	All programmed settings are stored in non-volatile memory for a minimum of ten years if power is lost.
Normal Mode Rejection	64 dB at 50/60 Hz
Operating Temperature Range	-40 °C to 75 °C (-40°F to 158°F)
Storage Temperature Range	-40 °C to 75 °C (-40°F to 158°F)
Relative Humidity	0 to 90% non-condensing
Connections	Screw terminals accept 12 to 22 AWG wire
Enclosure	NEMA 4X, IP65 plastic field enclosure. Color: grey. Material: Polycarbonate with UV Stabilizer. Three ¾" NPT threaded conduit openings. Two ¾" NPT plastic conduit plugs, with 1.29" wrenching flats and a screwdriver slot, are included.
Mounting	May be mounted directly to conduit. Two slotted flanges for wall mounting or NPS 1½" to 2½" or DN .013 to .21ft pipe mounting.
Overall Dimensions	5.67" x 5.25" x 4.18" (W x H x D) (144 mm x 133 mm x 106 mm)
Weight	1.65 lbs (26.4 oz, 0.75 kg)

Input

Input Range	3 to 24 mA
Accuracy	±0.03% of calibrated span ±1 count
Temperature Drift	50 PPM/°C from -40 °C to 75 °C (-40°F to 158°F) ambient
Multi-Point Linearization	2 to 32 points each for level and volume
Calibration Range	Input Range: 4-20 mA, Input 1 & 2 Minimum Span: 0.10 mA
Maximum Voltage Drop	Without Backlight or with Externally-Powered (DC Powered) Backlight: 3.0 VDC @ 20 mA With Loop-Powered Backlight: 6.0 VDC @ 20 mA
Input Overload	Over current protection to 2 A max
Equivalent Resistance	150 Ω @ 20 mA without loop-powered backlight. 300 Ω @ 20 mA with loop-powered backlight.
HART Transparency	Analog input will not interfere with existing HART communications on the wired 4-20 mA signal

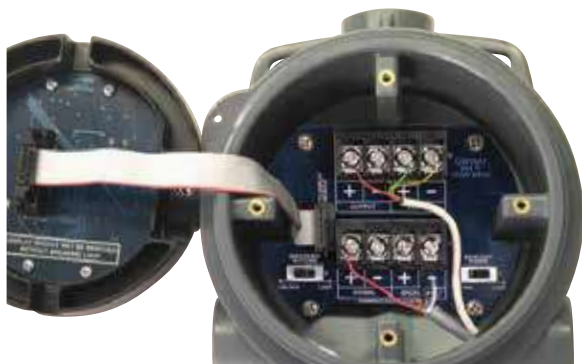
Open Collector Output

Alarm Output	Assign to level or volume for high or low alarm trip point
Deadband	0-100% FS, user selectable
Acknowledge	Front panel ENTER button and external RESET terminals resets output and screen indication.

Installation

Installation Flexibility

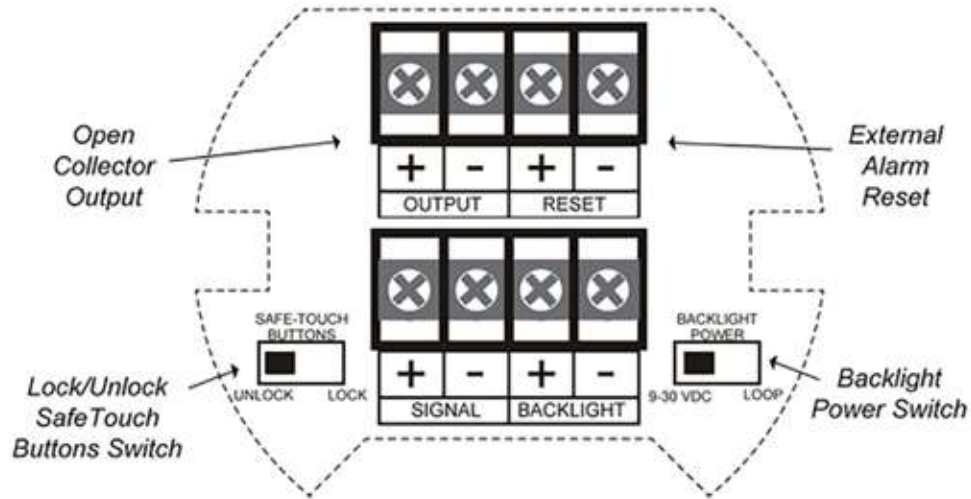
- Tek-LCD 7801A rotatable display/meter module along with three available conduit connections provide for numerous installation options. The display can be rotated in 90° increments. Rotate it 90° for horizontal mounting. Wiring can then be routed to either the top conduit connection, or from below to the opposite conduit connection (plastic conduit plug supplied). Use the three conduit connections for through-wiring in any direction. Two 3/4" NPT plastic conduit plugs, with 1.29" wrenching flats and a screwdriver slot, are included.



Easy Wiring and Service

- Unscrew the two captured thumb screws and unplug a connecting cable and the display/meter module is simply and completely removed. A heavy duty terminal block is then easily accessed and wired. It is clearly marked to prevent wiring errors. The display/meter module can be removed without breaking the loop. As such, it can be serviced without the need to uninstall the entire product. All relevant hazardous area guidelines must be followed during service.

Connections



Popular Models

Model Number	Description
7801A-0K1	NEMA 4X Loop-Powered Feet & Inches Level Indicator

Accessories

Model Number	Description
7800A-6846	Steel Pipe Mounting Kit
7800A-6846SS	Stainless Steel Pipe Mounting Kit
7800A-PLUG75P	¾" NPT Plastic Conduit Plug

Customer Service and Support



TEKMATION LLC reserves the right to change the designs and/or materials of its products without notice. The contents of this publication are the property of
TEKMATION and cannot be reproduced by any other party without written permission. All rights reserved. Copyright © 2016 TEKMATON LLC
DOC #TEK/TPS/240520/7801A/0.1
TEKMATION LLC



www.tek-trol.com

Tek-Trol is a fully owned subsidiary of TEKMATON LLC. We offer our customers a comprehensive range of products and solutions for process, power, and oil and gas industries. Tek-Trol provides process measurement and control products for Flow, Level, Temperature and Pressure Measurement, Control Valves and Analyzer systems. We are present in 15 locations globally and are known for our knowledge, innovative solutions, reliable products, and global presence.

Tek-Trol LLC

796 Tek Drive Crystal Lake, IL 60014 USA
Tel: +1 847 857 6076 Fax: +1 847 655 6147
Email: tektrol@tek-trol.com
www.tek-trol.com