



Technology Solutions

Tek-LCD 7803B

Explosion-Proof Pulse Rate/Totalizer

Instruction Manual



www.tek-trol.com

Disclaimer

The information contained in this document is subject to change without notice. Tek-Trol makes no representations or warranties with respect to the contents hereof; and specifically disclaims any implied warranties of merchantability or fitness for a particular purpose.



CAUTION: Read complete instructions prior to installation and operation of the meter.



WARNING: Risk of electric shock or personal injury.



WARNINGS

- This product is not recommended for life support applications or applications where malfunctioning could result in personal injury or property loss. Anyone using this product for such applications does so at his/her own risk. Tek-Trol LLC shall not be held liable for damages resulting from such improper use.
- Failure to follow installation guidelines could result in death or serious injury. Make sure only qualified personnel perform the installation.
- Never remove the meter cover in explosive environments when the circuit is live.
- Cover must be fully engaged to meet flameproof/explosion-proof requirements.

Limited Warranty

Tek-Trol LLC warrants this product against defects in material or workmanship for the specified period under "Specifications" from the date of shipment from the factory. Tek-Trol's liability under this limited warranty shall not exceed the purchase value, repair, or replacement of the defective unit.

Registered Trademarks

All trademarks mentioned in this document are the property of their respective owners.

www.tek-trol.com

Notice

Read this manual before working with the product. For personal and system safety, and for optimum product performance, make sure you thoroughly understand the contents before installing, using, or maintaining this product.

For technical assistance, contact

Customer Support

796 Tek-Drive

Crystal Lake, IL 60014

USA

Tel: +1 847 857 6076, +1 847 655 7428

© COPYRIGHT Tek-Trol LLC 2018

No part of this publication may be copied or distributed, transmitted, transcribed, stored in a retrieval system, or translated into any human or computer language, in any form or by any means, electronic, mechanical, manual, or otherwise, or disclosed to third parties without the express written permission. The information contained in this manual is subject to change without notice.

INTRODUCTION

The Tek-LCD 7803B is a rugged, explosion-proof, pulse input rate/totalizer for demanding applications in hazardous areas or in harsh environments. It can be programmed using the four through-glass buttons, without removing the cover, or with four internal push-buttons. The top numeric display will read rate or total up to five digits and the alphanumeric bottom display will read up to 7 digits, 13 digits with the total overflow feature. The alphanumeric display can also be programmed to show any combination of numbers and letters up to seven characters long for rate, total, grand total, engineering units and/or identification tag. The backlight makes the display more visible in any lighting condition. The enclosure is provided with threaded conduit holes and integrated pipe or wall mounting flanges.

ORDERING INFORMATION

Model Number	Reorder Number	Description
PD6830-AP0-0-TK	Tek-LCD 7803B-AP0	Explosion-Proof Pulse Input Flow Rate/Totalizer

Accessories

Model Number	Reorder Number	Description
PDA0002-TK	Tek-LCD 7800B-002	3/4" M-NPT to 1/2" F-NPT Approved Reducer
PDA6846-TK	Tek-LCD 7800A-6846	Steel Pipe Mounting Kit
PDA6846-SS-TK	Tek-LCD 7800A-6846SS	Stainless Steel Pipe Mounting Kit

Manufactured by Precision Digital Corporation
233 South St, Hopkinton MA 01748

Table of Contents

INTRODUCTION	3
ORDERING INFORMATION	3
SPECIFICATIONS	6
General	6
Rate Input	8
Rate/Totalizer	9
Open Collector Outputs	11
Product Ratings and Approvals	12
Electromagnetic Compatibility	13
SAFETY INFORMATION	13
INSTALLATION	14
Unpacking	14
Pre-Installed Conduit/Stopping Plug	14
Mounting	15
Cover Jam Screw	15
Connections	15
Input Signal Connections	17
DC Power Connection	19
External Total Reset Connection	19
Open Collector Output Connections	20
SETUP AND PROGRAMMING	21
Through-Glass Buttons	21
Buttons and Display	23
Setting Numeric Values	25
Setting Alphanumeric Labels (L _{RbEL})	25
Main Menu	26
Setup Menu Display Functions & Messages	27
Setting Up the Meter (SETUP)	31
Selecting Input Type (InPut)	32
Input Level Selection Switch	32
Entering the K-Factor (FRctR)	34
K-Factor Units (FunIt)	34
K-Factor Decimal Point (dEcPt)	34
K-Factor Value (FRctR)	35
Display Units (UnItS)	35
Setting the Time Base (tB _{BASE})	37
Setting the Rate Display Units (rRtEU)	38
Total Units (tOt U)	39
Grand Total Units (Gr _{TotU})	40
Automatic Unit Conversions	41
Custom Units Entry (USEr)	41
Custom Units Rate Conversion Factor (rRtEF)	41

Custom Units Total Conversion Factor (tOtCF)-----	42
Custom Units Grand Total Conversion Factor (Gr tCF)-----	42
Setting the Decimal Point (dEcPt)-----	43
Configuring the Display (dSPLY)-----	44
Top Display (tDP)-----	44
Bottom Display (bDP)-----	45
Custom Tag (tAG)-----	46
Setting the Toggle Time (TIME)-----	47
Advanced Features Menu-----	48
Advanced Features Menu & Display Messages-----	50
Open Collector Outputs (OUTPUT)-----	54
Output 1 and 2 Setup (OUT 1, OUT 2)-----	55
Gate Function (GATE)-----	59
Contact Debounce Filter (FILTER)-----	59
Low-Flow Cutoff (CUTOFF)-----	59
Scaling & Calibration (SCALCAL)-----	60
Undoing K-Factor, Scale, and Calibration (UndoP)-----	60
Scaling the Meter (SCALE)-----	61
Calibrating the Meter (CAL)-----	63
Multi-Point Linearization (noPt5)-----	65
Total Reset (T RESEL)-----	65
Manual or Automatic Total Reset Function (t rSt)-----	66
Manual or Automatic Grand Total Reset Function (Gr trSt)-----	67
Setting Up Passwords (PASSWORD)-----	68
Locking Meter Setup Parameters-----	68
Making Changes to a Password Protected Meter-----	68
Password Restricting Total & Grand Total Reset-----	68
Resetting Total & Grand Total on a Password Protected Meter-----	69
Disabling Password Protection-----	69
Non-Resettable Grand Total-----	69
Custom (CUSTOM)-----	71
System (SYSTEM)-----	73
Set Real Time Clock (SETTIME)-----	74
Data Log Setup (DATA LOG)-----	75
View Data Log (LOGVIEW)-----	77
Backlight (BACKLITE)-----	77
Analog Output Calibration (AO CAL)-----	77
Backup & Restore (BACKUP)-----	78
Information (INFO)-----	79
OPERATION-----	80
Front Panel Buttons Operation-----	80
Grand Total Reading (Gr TOTAL)-----	83
Toggle Lower Display Parameter-----	83
Resetting the Total (rESEt TOTAL)-----	84
Resetting the Grand Total (rESEt Gr TOT)-----	84
Resetting Max/Min Readings (RESET MAXIMUM, MINIMUM)-----	84

Reset Meter to Factory Defaults	84
Factory Defaults & User Settings	85
TROUBLESHOOTING	87
Troubleshooting Tips.....	87
MOUNTING DIMENSIONS	88
QUICK USER INTERFACE REFERENCE	90
EU DECLARATION OF CONFORMITY	91

Table of Figures

Figure 1. Connector Board	16
Figure 2. Flowmeter Powered by External Supply (Active)	17
Figure 3. Isolated Flowmeter Powered by External Supply (ISO)	17
Figure 4. Self-Powered Magnetic Pickup Coil Flowmeter (Coil).....	17
Figure 5. NPN Open Collector Input (NPN)	18
Figure 6. PNP Sensor with External Power (PNP)	18
Figure 7. Switch Contact Input (Reed).....	18
Figure 8. DC Power Connections.....	19
Figure 9. Reset Connections	19
Figure 10. Open Collector Output Connections	20
Figure 11. Date Display Example	74
Figure 12. Enclosure Dimensions – Front View	88
Figure 13. Enclosure Dimensions – Side Cross Section View	89

SPECIFICATIONS

Except where noted all specifications apply to operation at +25°C.

General

DISPLAY	Five Digits Top Display (0 to 99999)	0.7" (17.8 mm) high, 7-segment, automatic lead zero blanking.
	Seven Characters Bottom Display	0.4" (10.2 mm) high, 14-segment, automatic lead zero blanking.
	Symbols	Total, grand total, battery power/low battery, high alarm, low alarm, through-glass button sleep mode/disable, password lock
DISPLAY ASSIGNMENT	Top Display: Rate or total Bottom Display: Combinations of rate, total, grand total, units, and custom tag	
BACKLIGHT	White LED, 10 second auto-off when battery powered Backlight deactivated below temperatures ≈ -20°C	

ALARM INDICATION	Flashing display plus HI/LO (rate) or SET (total) indicators
DISPLAY UPDATE RATE	Ambient > -20°C: 1 Update/Second Ambient < -20°C: 1 Update/10 Seconds <i>Note: Update is dependent on gate settings.</i>
OVERRANGE	Display flashes 99999
PROGRAMMING METHODS	Four through-glass buttons when cover is installed. Four internal pushbuttons when cover is removed.
RECALIBRATION	All ranges are calibrated at the factory to read frequency in Hz. No recalibration required.
MAX/MIN DISPLAY	Max/Min readings reached by the process are stored until reset by the user or until power to the meter is cycled.
POWER OPTIONS	9-30 VDC Powered, 2.2 W max
DATA LOGGING	Up to 1024 records, recorded 4/day at specific times or at defined time intervals. Record contains date, time, rate, total, grand total, and log number.
ISOLATION	500 V opto-isolated input-to-power/output with isolated input enabled
PASSWORD MENU OPTIONS	Three programmable password selections can be used for the following: restrict modification of settings, prevent resetting the total or grand total without the password, or permanently lock out the ability to change or reset the grand total or any grand total related settings (making a non-resettable grand total). Pass: Restricts modifications of programmed settings to require re-entering the password to make changes. Pass T: Restricts the reset of total to require re-entering the password. Disables the manual mode reset contact. Pass GT: Restricts the reset of grand total to Require re-entering the password. May enable a non-resettable grand total and permanent lockout of grand total-related settings with a specific password.
ENVIRONMENTAL	Operating temperature range: -40 to 75°C Storage temperature range: -40 to 75°C Backlight deactivated below temperatures ≈ -20°C Relative humidity: 0 to 90% non-condensing
NON-VOLATILE MEMORY	All programmed settings and total reading are stored in non-volatile memory for a minimum of ten years if power is lost.
CONNECTIONS	Screw terminals accept 12 to 22 AWG wire

ENCLOSURE	Explosion-proof die-cast aluminum with glass window, corrosion resistant epoxy coating, color: blue. NEMA 4X, 7, & 9, IP68. Copper-free (0.3%). Default conduit connections: Three 3/4" NPT threaded conduit openings. One 3/4" NPT metal plug with 12 mm hex key fitting installed. Additional conduit opening configurations and plugs may be available; verify quantity and sizes on specific device labeling during installation.
MOUNTING	May be mounted directly to conduit. Two slotted flanges for wall mounting or NPS 1 1/2" to 2 1/2" or DN 40 to 65 mm pipe mounting. See MOUNTING DIMENSIONS on page 88.
OVERALL DIMENSIONS	5.67" x 5.24" x 4.88" (W x H x D) (144 mm x 133 mm x 124 mm)
WEIGHT	5.00 lbs (80 oz, 2.27 kg)
WARRANTY	3 years parts and labor

Rate Input

PULSE/ TRANSISTOR/ CONTACT CLO- SURE INPUT	Field selectable; Sourcing or sinking pulse or square wave 0-5 V, 0-12 V, or 0-24 V; TTL; NPN or PNP transistor; Open collector 100 kΩ pull-up to 3 V; Switch contact 100 kΩ pull-up to 3 V; PNP transistor 100 kΩ pull-down to ground (COM) Active input 100 kΩ to battery level, 10 kΩ to power Maximum Frequency: 64 kHz Minimum Pulse Width: 5 μs									
	<table border="1"> <thead> <tr> <th>Threshold Setting</th> <th>Low (V)</th> <th>High (V)</th> </tr> </thead> <tbody> <tr> <td>Normal</td> <td>1.2</td> <td>2.0</td> </tr> <tr> <td>Low</td> <td>0.2</td> <td>1.2</td> </tr> </tbody> </table>	Threshold Setting	Low (V)	High (V)	Normal	1.2	2.0	Low	0.2	1.2
Threshold Setting	Low (V)	High (V)								
Normal	1.2	2.0								
Low	0.2	1.2								
OPTO-ISOLATED INPUT	Sourcing pulse or square wave 0-5 V, 0-12 V, or 0-24 V; Logic High: 2-24 V, Logic Low: < 1 V Maximum Frequency: 20 kHz Minimum Pulse Width: 20 μs Input Current: 1 mA @ 5 V, 2.5 mA @ 12 V, 5 mA @ 24 V									
LOW VOLTAGE MAG PICKUP INPUT	Sensitivity: 20 mVp-p to 24 Vp-p Maximum Frequency: 6 kHz									
MINIMUM INPUT FREQUENCY	0.0001 Hz. Minimum frequency is dependent on high gate setting (rate display).									
INPUT IMPEDANCE	Pulse input: Greater than 75 kΩ @ 1 kHz. Open collector/switch input: 100 kΩ pull-up to 3 V.									
ACCURACY	±0.03% of calibrated span ±1 count									

TEMPERATURE DRIFT	Rate display is not affected by changes in temperature.
LOW-FLOW CUTOFF	0-99,999 (0 disables cutoff function)
DECIMAL POINT	Up to four decimal places or none: <i>44444, 33333, 22222, 11111, or 00000</i>
CALIBRATION	May be calibrated using K-Factor, scale without signal source, or by applying an external calibration signal.
K-FACTOR	Field programmable K-Factor converts input pulses to rate in engineering units. May be programmed from 0.000001 to 9,999,999 pulses/unit.
CALIBRATION RANGE	Input 1 signal must be ≥ 1 Hz; input 2 signal may be set anywhere above input 1 setting. Minimum input span is 1 Hz. An Error message will appear if the input 1 and input 2 signals are too close together.
INPUT CONTACT DEBOUNCE FILTER	Programmable contact debounce filter. Input signal frequency speed selections of Hi (no filter), Med (250 Hz max input, 2 ms pulse width), and Low (100 Hz max input, 5 ms minimum pulse width).
TIME BASE	Second, minute, hour, or day
GATE	Low gate: 1-99 seconds; High gate: 2-9,999 seconds

Rate/Totalizer


DISPLAY ASSIGNMENT	The Top display is assigned to rate or total. The Bottom display is programmable to display total; total and units; total and tag; total, total units, and rate units; grand total; grand total and grand total units; grand total and tag; grand total, grand total units, and rate units; rate units; rate; rate and total units; rate and rate units; rate and tag; rate units; total units; a custom tag; or be off (blank).
RATE DISPLAY UNITS	Gallons, liters, imperial gallons, cubic meters, barrels, bushels, cubic yards, cubic feet, cubic inches, liquid barrels, beer barrels, hectoliters, or custom.
RATE DISPLAY TIME BASE	Rate display may be calculated in terms of units per second, minute, hour, or day.
TOTAL & GRAND TOTAL DISPLAY UNITS	Gallons, liters, imperial gallons, cubic meters, barrels, bushels, cubic yards, cubic feet, cubic inches, liquid barrels, beer barrels, hectoliters, or custom. Setting is independent for each.

TOTAL & GRAND TOTAL DISPLAY UNIT MULTIPLIER	x1, x100 (h), x1000 (k), or x1,000,000 (M) multiplier (and prefix) applied to total or grand total display units. Setting is independent for each.
TOTAL & GRAND TOTAL DECIMAL POINT	Up to six decimal places or none: 6.666666, 55.555555, 444.4444, 3333.3333, 22222.22, 111111.1 or 0000000 Total and grand total decimal points are independently programmed and are independent of rate decimal point.
TOTALIZERS	Calculates total and grand total based on rate and field programmable multiplier to display total in engineering units. Time base must be selected according to the time units in which the rate is displayed. The total and grand total utilize the same time base, with different conversion factors and resets.
TOTALIZER RESET	Via through-glass RESET button, mechanical button (cover off), external contact closure (total only), automatically via user selectable preset value and time delay (1 – 99,999 sec). Manual reset may be disabled or protected by password for the total and grand total. Total and grand total reset independently.
TOTAL OVERFLOW AND ROLLOVER	The total can display up to 9,999,999,999,999. Up to 9,999,999 can be displayed on the lower display normally. An overflow display will toggle between the first six digits and last seven digits (999999 <> 9999999) for a 13-digit total. The total will rollover beyond thirteen digits. The T indicator on the display will flash to indicate total overflow, and the six most significant digits (first six numbers of the total) are indicated with the flashing overflow symbol '↵'.
GRAND TOTAL OVERFLOW AND ROLLOVER	The grand total can display up to 9,999,999,999,999. Up to 9,999,999 can be displayed on the lower display normally. An overflow display will toggle between the first six digits and last seven digits (999999 <> 9999999) for a 13-digit total. The grand total will rollover beyond thirteen digits. The GT indicator on the display will flash to indicate grand total overflow, and the six most significant digits (first six numbers of the grand total) are indicated with the flashing overflow symbol '↵'.
EXTERNAL TOTAL RESET	External total reset connections are made between RST and COM. Logic High: 1.4 V, 3.3V max; Logic Low: < 0.8 V. 32 ms debounce.

Open Collector Outputs

OUTPUT ASSIGNMENT	Two open collector pulse outputs Out 1 and Out 2. Individually programmable for rate, total, or grand total alarms; rate, total, or grand total pulse outputs; or retransmitting of pulse inputs; constant timed pulse output; quadrature outputs (requires Out 1 and Out 2); or off.
RATING	Isolated open collector, off: 24 VDC max, on: <1 V @ 150 mA max
ALARM OUTPUT	Assign to rate for high or low alarm trip point. Assign to total or grand total for total or grand total alarms.
ALARM DEADBAND	0-100% FS, user selectable
ALARM ACKNOWLEDGE	Front panel ENTER button resets output and screen indication.
PULSE OUTPUT K-FACTOR (COUNT)	K-factor (count) programmable from 0.000001 to 9999999. Rate pulses are generated as a scaled output of the rate input with one output pulse per K-factor (count) number of input pulses. Total and grand total pulses are generated for every total or grand total increment selected. (e.g. K-factor value of 100 will generate one pulse every time the total is incremented by 100 units) Rate retransmission pulses one to one for input pulses, up to maximum output speed. K-factor is not used for retransmitting outputs.
PULSE OUTPUT PULSE WIDTH	Unless otherwise stated, pulses are 50% duty cycle for required frequency. A pulse rate retransmit output will generate 100 to 130 μ s pulses at the falling edge of every input pulse.
PULSE OUTPUT MAXIMUM FREQUENCY	5 kHz, pulse width at 50% duty cycle. If the programming of the outputs would exceed 5 kHz, the meter will display <i>PULSE OVERRING</i>
QUADRATURE OUTPUT	Output set to quadrature will lag the other pulse output by 90° (1/4 duty cycle) at output frequency. Minimum 1 Hz
TIMER OUTPUT	Programmable on and off time, repeating cycle. Minimum period 0.1 second, maximum 100,000 seconds. Minimum pulse time 0.01 second, maximum 10,000 seconds.

Product Ratings and Approvals

FM	Class I, Division 1, Groups B, C, D Class II, Division 1, Groups E, F, G Class III, Division 1; T6 Class I, Zone 1, AEx d IIC T6 Gb Zone 21, AEx tb IIIC T85°C Ta = -40°C to +75°C Enclosure: Type 4X & IP66 Certificate number: 3040391
CSA	Class I, Division 1, Groups B, C, D Class II, Division 1, Groups E, F, G Class III, Division 1; Ex d IIC T6 Enclosure Type 4X, IP66/68: Ta = -40°C to +75°C Certificate number: 2325749
ATEX	 II 2 GD Ex d IIC T6 Gb Ex tb IIIC T85°C Db IP68 Tamb -40°C to +75°C Certificate number: Sira 10ATEX1116X
IECEX	Ex d IIC T6 Gb Ex tb IIIC T85°C Db IP68 Ta = -40°C to +85°C Certificate number: IECEX SIR 10.0056X

Special Conditions for Safe Use:

Use suitably certified and dimensioned cable entry device and/or plug. The equipment shall be installed such that the supply cable is protected from mechanical damage. The cable shall not be subjected to tension or torque. If the cable is to be terminated within an explosive atmosphere, then appropriate protection of the free end of the cable shall be provided.

Year of Construction

This information is contained within the serial number with the first four digits representing the year and month in the YYMM format.

For European Community: The Tek-LCD 7803B must be installed in accordance with the ATEX directive 94/9/EC, and the product certificate Sira 10ATEX1116X.

Electromagnetic Compatibility

EMISSIONS	EN 61326:2013 Measurement, control, and laboratory use – Industrial Group 1 Class A ISM emissions requirements EN55022:2010 Class A ITE emissions requirements EN61000-6-4:2007+A1:2011 Emissions for heavy industrial environments - Generic
Radiated Emissions	Class A
IMMUNITY	EN 61326:2013 Measurement, control, and laboratory use – Industrial EN61000-6-2:2005 Immunity for heavy environments - Generic
ESD	±4 kV contact, ±8 kV air
RFI – Amplitude Modulated	80-1000 MHz @ 10 V/m, 1.4-2.0 GHz @ 10 V/m, 2.0-2.7 GHz @ 10 V/m, 80% AM (1 kHz)
EFT	±2 kV DC mains, ±2 kV other
Telco Surge	±1 kV
CRFI	10 V 0.15-80 MHz, 1 kHz 80% AM
Power-Frequency Magnetic Field	30 A/m 70% V for 0.5 period

SAFETY INFORMATION



WARNINGS

- Read complete instructions prior to installation and operation of the meter.
- Installation and service should be performed only by trained service personnel. Service requiring replacement of internal components (not including battery, if equipped) must be performed at the factory.
- Disconnect from supply before opening enclosure. Keep cover tight while circuits are alive. Conduit seals must be installed within 18" (450mm) of the enclosure.
- Verify that the operating atmosphere of the meter is consistent with the appropriate hazardous locations certifications.
- If the meter is installed in a high voltage environment and a fault or installation error occurs, high voltage may be present on any lead

INSTALLATION

For Installation in USA: The Tek-LCD 7803B must be installed in accordance with the National Electrical Code (NEC) NFPA 70.

For Installation in Canada: The Tek-LCD 7803B must be installed in accordance with the Canadian Electrical Code CSA 22.1.

For European Community: The Tek-LCD 7803B must be installed in accordance with the ATEX directive 94/9/EC and the product certificate Sira 10ATEX1116X.



Disconnect from supply before opening enclosure. Keep cover tight while circuits are alive. Conduit seals must be installed within 18" (450mm) of the enclosure.

Wiring connectors are accessed by opening the enclosure. Cover jam screw may need to be loosened on the cover. To access electrical connectors, remove the 2 captive screws, then disconnect the ribbon cable from the display module and set the display module aside.

Unpacking

Remove the meter from box. Inspect the packaging and contents for damage. Report damages, if any, to the carrier. If any part is missing or the meter malfunctions, please contact your supplier or the factory for assistance.

Pre-Installed Conduit/Stopping Plug

The Tek-LCD 7803B typically includes three 3/4" NPT threaded conduit openings and one 3/4" NPT metal conduit plugs with 12 mm hex key fitting installed. Additional conduit opening configurations and plugs may be available; verify quantity and sizes on specific device labeling during installation. The pre-installed plug and its installation are included in the hazardous area approvals for the Tek-LCD 7803B.

The conduit/stopping plug included in a typical Tek-LCD 7803B has an internal 12 mm hexagonal socket recess for removal.



In hazardous areas, conduit and conduit/stopping plugs require the application of non-setting (solvent free) thread sealant. It is critical that all relevant hazardous area guidelines be followed for the installation or replacement of conduit or plugs.

Mounting

The Tek-LCD 7803B has two slotted mounting flanges that may be used for pipe mounting or wall mounting. Alternatively, the unit may be supported by the conduit using the conduit holes provided.

Refer to *Mounting Dimensions*, page 88 for details.



WARNING

Do not attempt to loosen or remove flange bolts while the meter is in service.

Cover Jam Screw

The cover jam screw should be properly installed once the meter has been wired and tested in a safe environment. The cover jam screw is intended to prevent the removal of the meter cover in a flameproof environment without the use of tools. Using a M2 hex wrench, turn the screw clockwise until the screw contacts the meter. Turn the screw an additional $\frac{1}{4}$ to $\frac{1}{2}$ turn to secure the cover. Caution: Excess torque may damage the threads and/or wrench.

Connections



WARNINGS


- Static electricity can damage sensitive components.
- Observe safe handling precautions for static-sensitive components.
- Use proper grounding procedures/codes.
- If the meter is installed in a high voltage environment and a fault or installation error occurs, high voltage may be present on any lead or terminal.

To access the connectors, loosen the cover jam screw (if tightened) with an M2 hex wrench, remove the enclosure cover and unscrew the two captive screws that fasten the display module into the enclosure. Disconnect the ribbon cable and remove the display module. Power and signal connections are made to a barrier terminal connector in the base of the enclosure. Grounding connections are made to the two ground screws provided on the base – one internal and one external. Use proper grounding techniques for explosion-proof areas and observe all local and national electric codes.

Connections (continued)

- S+** Signal input positive terminal connection
- S-** Signal input negative terminal connection
- COM** DC power supply input return/negative, reset contact closure common
- RST** Contact closure reset pull-up to 1.8 VDC
- P+** DC Power positive terminal connection
- OC1+** Open collector output 1 positive terminal
- OC1-** Open collector output 1 negative terminal
- OC2+** Open collector output 2 positive terminal
- OC2-** Open collector output 2 negative terminal

Refer to Figure 1 for terminal positions.

	Observe all safety regulations. Electrical wiring should be performed in accordance with all agency requirements and applicable national, state, and local codes to prevent damage to the meter and ensure personnel safety.
WARNING	

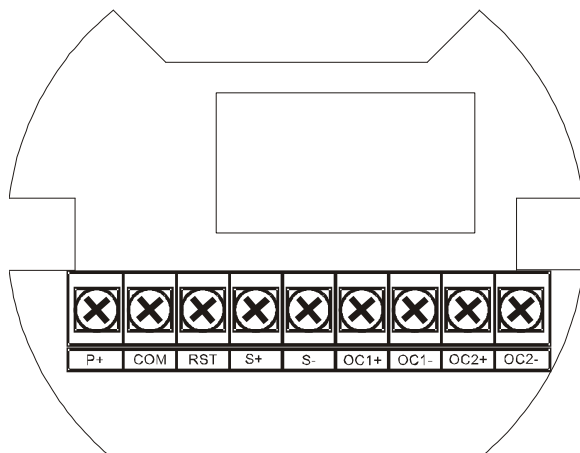


Figure 1. Connector Board

Input Signal Connections

Signal connections are made to a barrier terminal mounted in the base of the enclosure. Input level and type are configured using the slide switches on the bottom of the display module as shown in the lower right of the following figures.

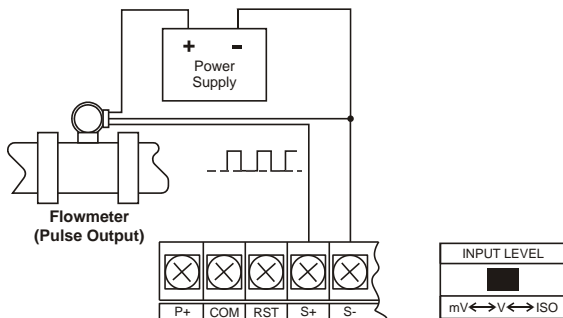


Figure 2. Flowmeter Powered by External Supply (Active)

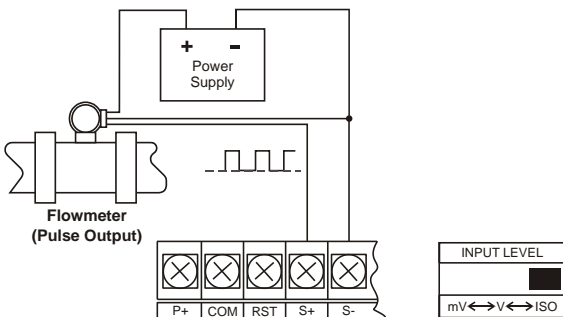


Figure 3. Isolated Flowmeter Powered by External Supply (ISO)

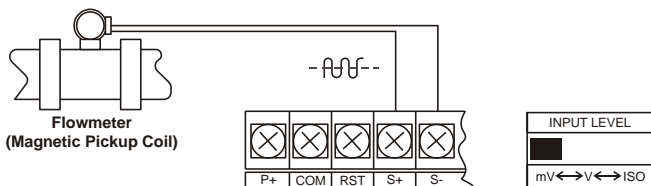


Figure 4. Self-Powered Magnetic Pickup Coil Flowmeter (Coil)

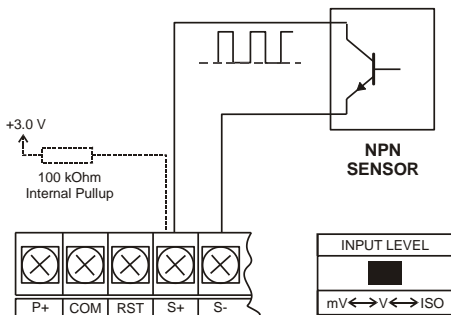


Figure 5. NPN Open Collector Input (NPN)

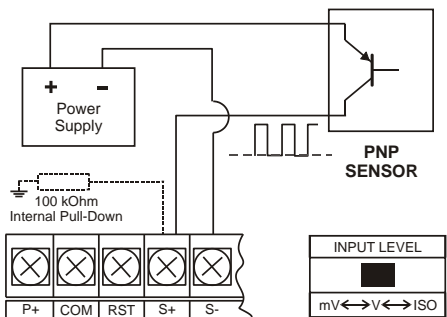


Figure 6. PNP Sensor with External Power (PNP)

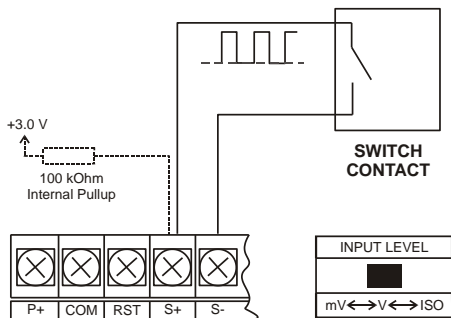


Figure 7. Switch Contact Input (Reed)

DC Power Connection

Models configured for DC power are provided with a terminal labeled P+ and are wired as shown in Figure 8. The same power supply may be used to power other circuits including a PNP-type sensor, however to maintain input isolation, a separate power supply must be used to power the Opto-Isolated Flowmeter as shown in Figure 3.

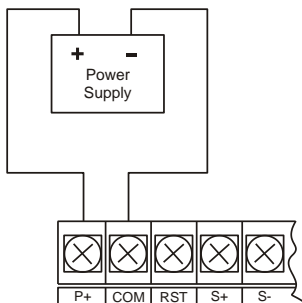


Figure 8. DC Power Connections

External Total Reset Connection

External total reset connections are made between RST and COM. Connect to a contact closure source such as a relay or a pushbutton as shown in Figure 9. Avoid extended contact closure to preserve battery life. The total is reset when the button is pressed. The meter will start to totalize immediately. Holding down the button has no effect on the total.

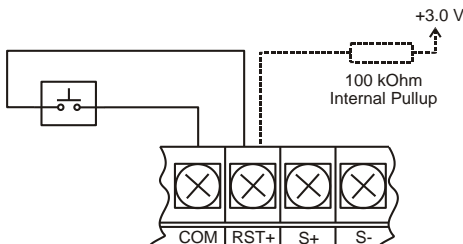


Figure 9. Reset Connections

Open Collector Output Connections

Open collector output 1 and 2 connections are made to terminals labeled OC1+ and OC1-, and OC2+ and OC2-. Connect the alarm or pulse input device as shown in Figure 10.

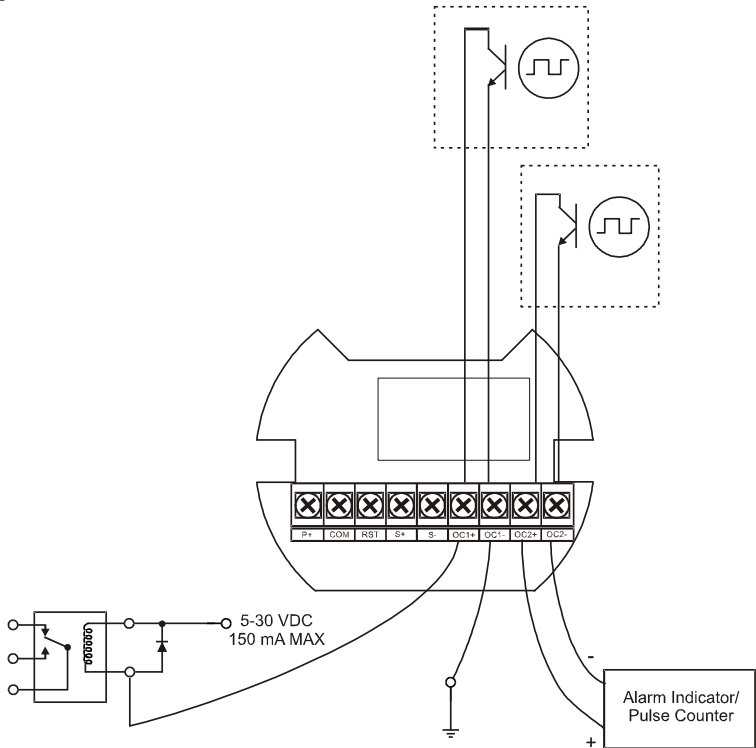


Figure 10. Open Collector Output Connections

SETUP AND PROGRAMMING

There is **no need to recalibrate** the meter for frequency in Hz when first received from the factory.

The meter is **factory calibrated** for Hz prior to shipment. The calibration equipment is traceable to NIST standards.

Overview

Setup and programming are done through the infrared through-glass buttons or using the mechanical buttons when uncovered. There are two slide switches located on the display module. One is used to configure the input and the other is to lock or unlock the through-glass buttons.

Through-Glass Buttons

The Tek-LCD 7803B is equipped with four sensors that operate as through-glass buttons so that it can be programmed and operated without removing the cover (and exposing the electronics) in a hazardous area. These buttons can be disabled for security by using the THRU-GLASS BUTTONS switch and selecting the OFF setting. This switch is located on the back of the removable electronics module.

Through-Glass Button Operation

To actuate a button, press and remove one finger to the glass directly over the marked button area. Remove finger to at least 4 inches away from the glass in between button activations. through-glass and mechanical buttons may be held to cycle through menus or digits in place of repeatedly pushing a button.



Through-Glass Power Save Mode

Through-glass buttons enter a power saving mode after three minutes of inactivity. This mode is indicated by a pause symbol (⏸) appearing in the lower right of the display. Only the **MENU** button is monitored in this mode. To activate the through-glass buttons, press and hold the menu button for up to five seconds. The display will read **AWAKE**, and the through-glass buttons will be fully enabled.

Through-Glass Disabled Mode

When the cover is removed, the four mechanical buttons located next to the sensors may be used. The sensors are disabled when a mechanical button is pressed and will automatically be re-enabled after 60 seconds of inactivity. The through-glass power symbol (⏸) will blink in the lower right of the display if the buttons are disabled due to a mechanical pushbutton being pressed.



IMPORTANT

Through-glass buttons will not work if two or more buttons are detected as being pressed simultaneously. As a result, be careful to avoid triggering multiple buttons or reaching across one button location to press another.

Through-Glass Button Tips and Troubleshooting

The through-glass buttons are designed to filter normal levels of ambient interference and to protect against false triggering, however it is recommended that the through-glass buttons be turned off (slide THRU-GLASS BUTTONS switch to OFF) if there is an infrared interference source in line-of-sight to the display or if the buttons are not needed.

Through-Glass Button Tips:

- To the extent possible, install the display facing away from sunlight, windows, reflective objects and any sources of infrared interference.
- Keep the glass window clean.
- Tighten the cover securely.
- Use a password to prevent tampering.
- If the cover has not been installed and secured tightly, it may take a moment for the through-glass buttons to properly self-calibrate when the cover is tightened.

After all connections have been completed and verified, connect the ribbon cable to the display module, fasten the display module to the base, install enclosure cover, and then apply power.

Through-Glass Button Equalize Delay

The through-glass buttons are designed to constantly recalibrate for ambient conditions. When the cover position is changed, the cover is removed, or an object is removed that was placed over the front window, it may take a moment for the through-glass buttons to recalibrate to the change in conditions.

Allow up to 2 minutes for the through-glass buttons to recalibrate to new conditions in these cases where the cover position was changed, or the front window is being unblocked.


Buttons and Display



Button Symbol	Description
 MENU	Menu/ Through-Glass Awake
 RESET	Right Arrow/Reset
 DISPLAY	Up Arrow/ Display
 ENTER	Enter/ Alarm Acknowledge

Symbol	Status
HI	High Alarm
LO	Low Alarm
SET	Total Alarm
	Settings Lockout Password Enabled
	Through-Glass Power Save/Disable. Flashing: Temporarily Disabled Due to Mechanical Button
T	Total Display Flashing: Total Overflow Indication
GT	Grand Total Display Flashing: Total Overflow Indication
	13 Digit Total Overflow, 6 Most Significant Digits

Menu Button

- Hold the **Menu** through-glass button when in power save mode (display will show ) to awaken through-glass buttons.
- Press the **Menu** button to enter Programming Mode.
- Press the **Menu** button during Programming Mode to return to the previous menu selections.
- Hold the **Menu** button for 1.5 seconds at any time to exit Programming Mode and return to *Run Mode*.
- Press and hold the **Menu** button for 3 seconds to access the *Advanced Features* of the meter.

Right / Reset Button

- Press the **Right** arrow button to move to the next digit or decimal position during programming.
- Press **Right** to go backward through most selection menus.
- Press **Reset** to reset the total, or values displayed in the bottom display (grand total, max, or min). Press **Enter** after **Reset** to confirm the reset.

Up / Display Button

- Press **Display** when in Run mode to display the grand total, again to display the maximum, and again to display the minimum reading since last reset. These displays will time out in 12 seconds or press **Display** until total is displayed in the lower display. Press **Enter** to lock this display and disable the 12 second time out.
- Press the **Up**-arrow button to scroll forward through the menus, decimal point, or to increment the value of a digit.

Enter Button

- Press the **Enter** button to access a menu or to accept a setting.
- Press **Enter** to lock the grand total, maximum, or minimum value on the lower display, and disable the 12 second time out.
- Press **Enter** while the grand total, max, or min reading is locked on the lower display to return to run mode.
- Press **Enter** to acknowledge alarm (if enabled).
- Press **Enter** to lock display of grand total, Max or Min readings (disables 10 second timeout).

Setting Numeric Values

The numeric values are set using the **Right** and **Up** arrow buttons. Press **Right** arrow to select next digit and **Up** arrow to increment digit.

The digit being changed blinks.

Press the **Enter** button, at any time, to accept a setting or **Menu** button to exit without saving changes.

The decimal point is set using the **Right** or **Up** arrow button in the *Setup, Decimal Point* menu.



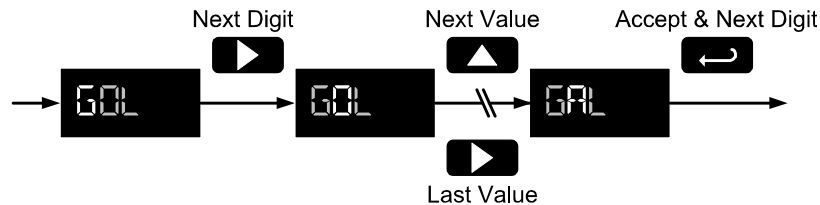
Setting Alphanumeric Labels (LAbEL)

Fully alphanumeric values are set using the **Right** button to select the digit, the **Up** and **Right** arrow buttons to select the digit reading, and the **Enter** button to confirm and select the next digit.

Menus using this entering method will display *LAbEL* in the upper display. After selecting the digit, and using the **Up** and **Right** arrows to modify the digit, the display will read *LHRr*. Using **Enter** to confirm the new digit will return the display to reading *LAbEL*.

The digit being changed blinks.

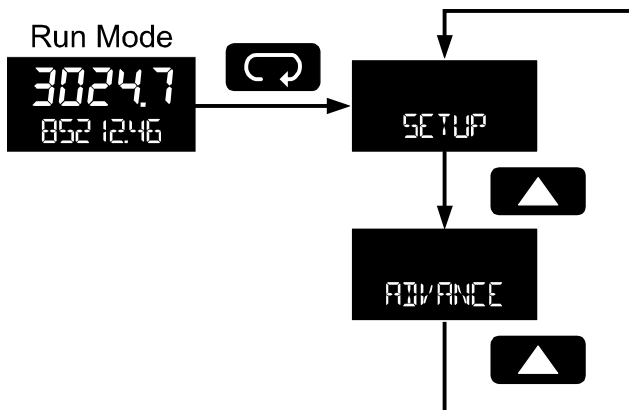
Press the **Menu** button to exit without saving changes.



Main Menu

The main menu separates the most commonly used functions in the *Setup menu*, and more complex features in the *Advanced Features* menu.

Press **Menu** button to enter Programming Mode then press the **Up** arrow button to scroll through the main menu.



- Press **Menu**, at any time, to return to the previous menu selection. Press and hold the **Menu** button for 1.5 seconds at any time to return to Run Mode.
- Changes to the settings are saved to memory only after pressing **Enter**.
- The display moves to the next menu every time a setting is accepted by pressing **Enter**.

Setup Menu Display Functions & Messages

The meter displays various functions and messages during setup, programming, and operation. The following table shows the main menu functions and messages in the order they appear in the menu.

Display	Parameter	Action/Setting
SETUP	<i>Setup</i>	Enter <i>Setup</i> menu
<i>inPute</i>	<i>Input</i>	Enter <i>Input</i> type selection menu
<i>Act iU</i>	<i>Active</i>	Set active input type
<i>nPn</i>	<i>NPN</i>	Set NPN input type
<i>PnP</i>	<i>PNP</i>	Set PNP input type
<i>rEEd</i>	<i>Reed</i>	Set reed switch input type
<i>CO iL</i>	<i>Coil</i>	Set coil input type
<i>iSo</i>	<i>Isolated</i>	Set isolated input type
<i>ActLO</i>	<i>Active low</i>	Set active input type with low threshold
<i>nPnLO</i>	<i>NPN low</i>	Set NPN input type with low threshold
<i>PnPLO</i>	<i>PNP low</i>	Set PNP input type with low threshold
<i>FRActr</i>	<i>K-factor</i>	Enter the <i>K-Factor</i> menu
<i>FUn it</i>	<i>K-factor units</i>	Enter the <i>K-Factor</i> units
<i>P/ GAL</i>	<i>Pulses/gallon</i>	Set K-factor in pulses per gallon
<i>P/ L</i>	<i>Pulses/liter</i>	Set K-factor in pulses per liter
<i>P/ IGAL</i>	<i>Pulses/imp gallon</i>	Set K-factor in pulses per imperial gallon
<i>P/ M3</i>	<i>Pulses/meter³</i>	Set K-factor in pulses per meter cubed
<i>P/ BBL</i>	<i>Pulses/barrel</i>	Set K-factor in pulses per barrel
<i>P/ BUSH</i>	<i>Pulses/bushel</i>	Set K-factor in pulses per bushel
<i>P/ cuYD</i>	<i>Pulses/cubic yard</i>	Set K-factor in pulses per cubic yard
<i>P/ cuFL</i>	<i>Pulses/cubic feet</i>	Set K-factor in pulses per cubic foot
<i>P/ cuIn</i>	<i>Pulses/cubic inch</i>	Set K-factor in pulses per cubic inch
<i>P/ L BBL</i>	<i>Pulses/liquid barrel</i>	Set K-factor in pulses per liquid barrel

Display	Parameter	Action/Setting
P/BBBL	<i>Pulses/beer barrels</i>	Set K-factor in pulses per beer barrel
P/HECCL	<i>Pulses/hectoliter</i>	Set K-factor in pulses per hectoliter
P/CUST	<i>Pulses/custom</i>	Set K-factor custom unit
dEc.Pt	<i>K-factor decimal point</i>	Set the number of decimal points in the K-factor
FRctr	<i>K-factor value</i>	Set the K-factor for custom units
Un tS	<i>Units</i>	Select standard units or custom unit/tag
tBASE	<i>Rate time base</i>	Enter the <i>Time Base</i> menu
SEC	<i>Second</i>	Units per <i>second</i>
min	<i>Minute</i>	Units per <i>minute</i>
hour	<i>Hour</i>	Units per <i>hour</i>
DAY	<i>Day</i>	Units per <i>day</i>
rATEU	<i>Rate units</i>	Select rate display units
GAL	<i>Gallons</i>	Set units as gallons
L	<i>Liters</i>	Set units as liters
IGAL	<i>Imperial gallons</i>	Set units as imperial gallons
M3	<i>Meters cubed</i>	Set units as cubic meters
BBL	<i>Barrels</i>	Set units as barrels
BUSH	<i>Bushels</i>	Set units as bushels
cuYD	<i>Cubic yards</i>	Set units as cubic yards
cuFT	<i>Cubic feet</i>	Set units as cubic feet
cuIn	<i>Cubic inches</i>	Set units as cubic inches
LBBL	<i>Liquid barrels</i>	Set units as liquid barrels
BBBL	<i>Beer barrels</i>	Set units as beer barrels
HECCL	<i>Hectoliter</i>	Set units as hectoliters
CUSEL	<i>Custom unit</i>	Use a custom unit
USER	<i>User</i>	Set a custom unit

Display	Parameter	Action/Setting
LRbEL	Label	Select a custom unit label character
[HRr	Character	Set a character in a custom unit label
rRELF	Rate conversion factor	Enter the <i>Rate Conversion Factor</i> menu
tot u	Total units	Select total display units
totL	Total multiplier	Select the total units multiplier
x 1	x1 (no multiplier)	Select no multiplier
x 100 h	x100 (h)	Select x100 multiplier with h unit prefix
x 1000 k	x1000 (k)	Select x1,000 multiplier with k unit prefix
x 1000000 M	x1.0*10 ⁶ (M)	Select x1,000,000 multiplier with M prefix
totLF	Total conversion factor	Enter the <i>Total Conversion Factor</i> menu
tototL	Grand total units	Select grand total display units
tototL	Grand total multiplier	Select the grand total units multiplier
tototLF	Grand total conversion factor	Enter the <i>Grand Total Conversion Factor</i> menu for custom units
dEc.Pt	Decimal point	Enter <i>Decimal Point</i> menu
rRE	Rate decimal	Set rate display decimal point
totRL	Total decimal	Set total display decimal point
tototL	Grand total	Set grand total display decimal point
dSPLY	Display	Set the function of the top and bottom displays
top	Top	Set the function of the top display
rRE	Rate	Display rate
totRL	Total	Display total
bottom	Bottom	Set the function of the bottom display
totRL	Total	Display total

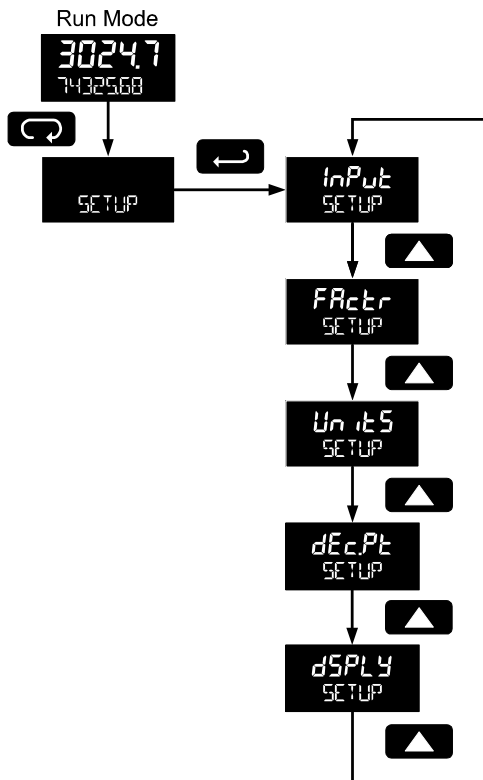
Display	Parameter	Action/Setting
TOGGLE	Toggle	Toggle between the values shown in the bottom display
TOTAL+U	Total & units	Display total and units
TOT+TAG	Total & Tag	Display the total and custom tag
T+U+RU	Total & units & rate units	Display the total, total units, and rate units
Gr Tot	Grand total	Display grand total
Gr TOT+U	Grand total & units	Display grand total and units
GrT+TAG	Grand total & tag	Display the grand total and custom tag
GrT+U+RU	Grand total & units & rate units	Display the grand total, grand total units, and rate units
Rate	Rate	Display the rate
RATE+TU	Rate & total units	Display the rate and total units
RATE+RU	Rate & units	Display the rate and rate units
RAT+TAG	Rate & tag	Display the rate and custom tag
Rate unit	Rate unit	Display the rate units
Total unit	Total units	Display the total units
TAG	Custom tag	Enter the custom tag to be displayed
OFF	Off	Turn off the bottom display
TAG TIME	Tag Time	Set time to display custom tag
Unit TIME	Unit Time	Set time to display lower display unit
Rate TIME	Rate Unit Time	Set time to display rate unit

Setting Up the Meter (SETUP)

The *Setup* menu is used to select:

1. Input type selection (*InPut*)
2. K-factor number and units (*FRctr*)
3. Display rate, total, and grand total units (*Un its*)
4. Rate and total decimal point position (*dEcPt*)
5. Select what will appear on the lower display (*dSPLY*)

Press the **Enter** button to access any menu or press **Up** arrow button to scroll through choices. Press the **Menu** button to back out of a menu, or hold the **Menu** button to exit at any time.



Selecting Input Type (*InPULt*)

Seven input types may be set. See Rate Input specifications on page 8 for electrical specifications of the inputs.

The following input types may be selected:

Active (*RcLd*)

External power supply driven pulse inputs

NPN (*nPn*)

Internal pull-up resistor on S+ for NPN inputs

PNP (*PnP*)

Internal pull-down resistor on S+ for PNP inputs

Reed (*rEEd*)

Internal pull-up resistor on S+ for switch inputs

Coil (*CLIL*)

Magnetic coil flowmeter inputs (input selector switch must be set to mV)

Isolated active input (*ISO*)

External power supply driven isolated pulse inputs (input selector switch must be set to ISO)

Active with low threshold (*RcLdL*)

External power supply driven pulse inputs with a low threshold

NPN with low threshold (*nPnL*)

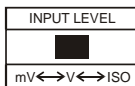
Internal 3 V pull-up resistor on S+ for NPN inputs with a low threshold

PNP with low threshold (*PnPL*)

Internal pull-down resistor on S+ for PNP inputs with a low threshold

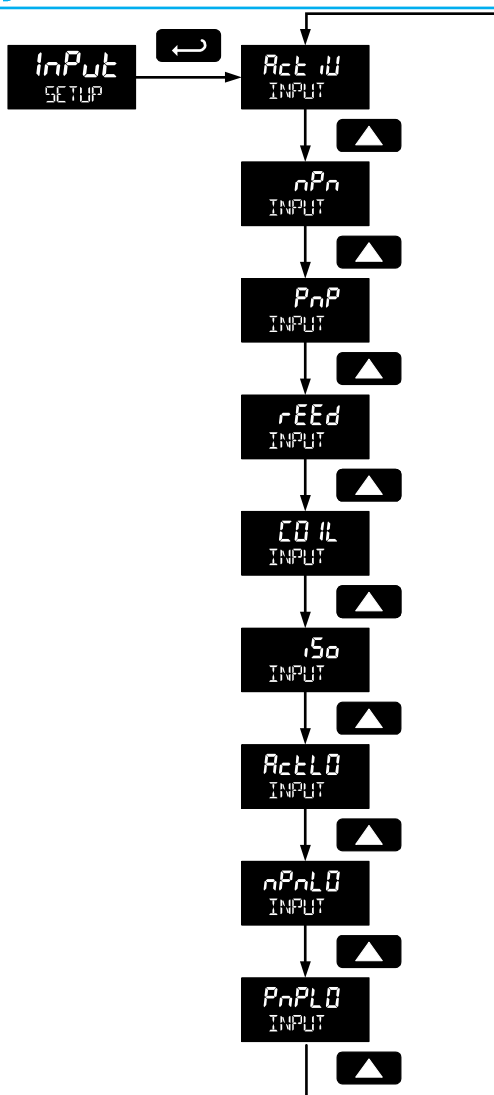
Input Level Selection Switch

In addition to programming the *InPULt* parameter, the input selector switch shown below must also be set. Input voltage level selections include mV, V and isolated voltage level inputs.



See Rate Input specifications on page 8 for electrical specifications of the inputs.

See Input Signal Connections on page 17 for details on wiring the input types.



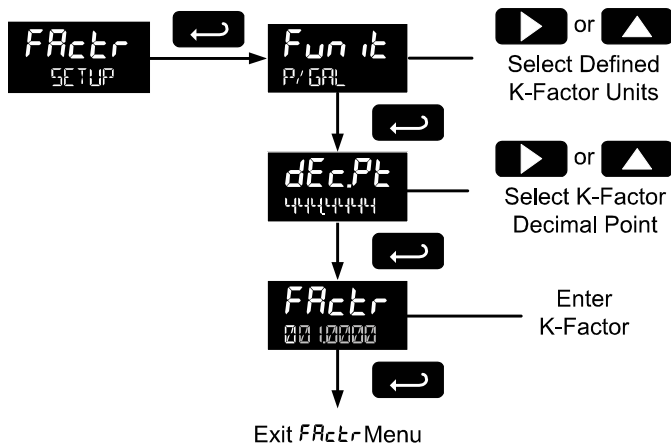
Entering the K-Factor (*FRctR*)

The meter may be scaled using the *K-factor*, or conversion factor, function. Most flowmeter manufacturers provide this information with the device. Enter the *K-Factor* (*FRctR*) menu and select the units defined with the k-factor (example: pulses/gal), the decimal point with highest resolution possible, and program the K-Factor value. The meter will automatically calculate the flow rate using the K-Factor and the units and time base selected.



IMPORTANT

Performing a k-factor operation will override any scaling or calibration programming. Refer to Scaling & Calibration (*SCALCAL*) on page 60 for more information on these programming methods.



K-Factor Units (*Fun it*)

Select the units defined with the k-factor (example: pulses/gal). This is usually provided by the flowmeter manufacturer. This does not set the rate display units, and only relates to entering the K-factor. To set or change the rate display units, see Setting the Rate Display Units (*rAEdU*) on page 38

The K-factor unit may be a custom unit (*CUSt*).

Automatic unit conversions are not performed when the K-factor unit is set to custom. See page 41 for information on the automatic unit conversion feature.

K-Factor Decimal Point (*dEcPt*)

Set the number of decimal places necessary to enter the K-factor value. The decimal point may be set with up to six decimal places or with no decimal point at all.

Pressing the **Right** arrow moves the decimal point one place to the right (including no decimal point). Pressing the **Up** arrow moves the decimal point one place to the left.

K-Factor Value (FRctr)

Enter the K-factor value. This value is entered in Pulses/Unit as defined by the *K-Factor Units* parameter. Most flowmeter manufacturers provide this information with the device.

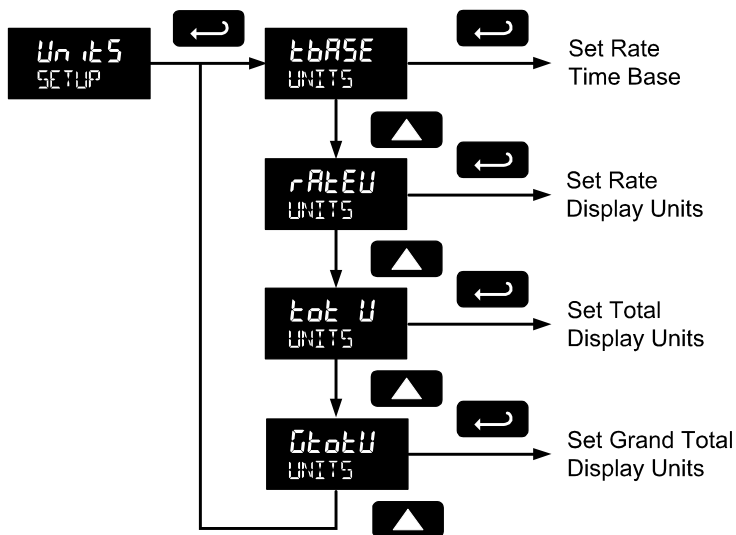
Display Units (Units)

The *Units* menu is used to select the display rate units and time (example: Gal/s) and the display units for total and grand total.

Important Programming Note:

The units selected in this menu are the desired display units only. The units defined by the k-factor of a flow meter are entered in the K-Factor menu as part of the Factor Unit menu programming. See K-Factor Units (FUnits) on page 34 for details.

This allows the display units to be different than the units defined by the flow meter, or be changed easily after initial programming. Unit conversions for rates and totals are performed automatically by the meter. See Automatic Unit Conversions on page 41 for details.



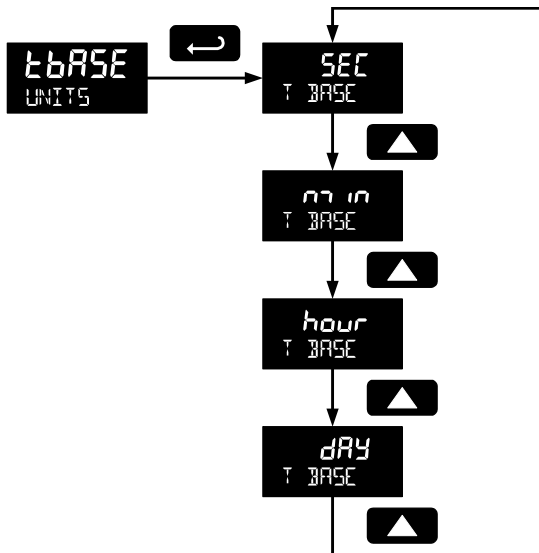
The following units may be selected as the base units for rate, total, and grand total. Time base for rate and a multiplier for total and grand total units may also be selected separately.

Unit	Unit	Description
GAL	<i>Gallons</i>	Set units as gallons
L	<i>Liters</i>	Set units as liters
IGAL	<i>Imperial gallons</i>	Set units as imperial gallons
M3	<i>Meters cubed</i>	Set units as cubic meters
BBL	<i>Barrels</i>	Set units as barrels
BUSH	<i>Bushels</i>	Set units as bushels
CUYD	<i>Cubic yards</i>	Set units as cubic yards
CUFT	<i>Cubic feet</i>	Set units as cubic feet
CUIN	<i>Cubic inches</i>	Set units as cubic inches
LBBL	<i>Liquid barrels</i>	Set units as liquid barrels
BBBL	<i>Beer barrels</i>	Set units as beer barrels
HECTL	<i>Hectoliter</i>	Set units as hectoliters
CUST	<i>Custom unit</i>	Use a custom unit

Setting the Time Base (tBASE)

The meter calculates rate based on rate time base and rate display units. The time base is the unit of time used to calculate the rate, and can be set as units per second, minute, hour, or day.

Press the **Enter** button, at any time, to accept a setting or **Menu** button to exit without saving changes.

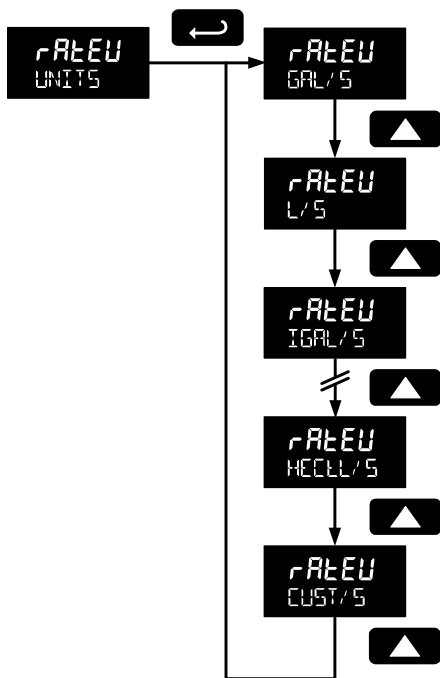


Setting the Rate Display Units (rAUEU)

Rate is displayed in terms of a unit of volume, and a time base. The unit selected will be used with the time base to establish the rate unit (example: GAL/S when Units is GAL, and time base is seconds).

The custom unit selection (CUST) will require the custom unit to be entered by the user. See Custom Units Rate Conversion Factor on page 41.

Press the **Enter** button, at any time, to accept a setting or **Menu** button to exit without saving changes.



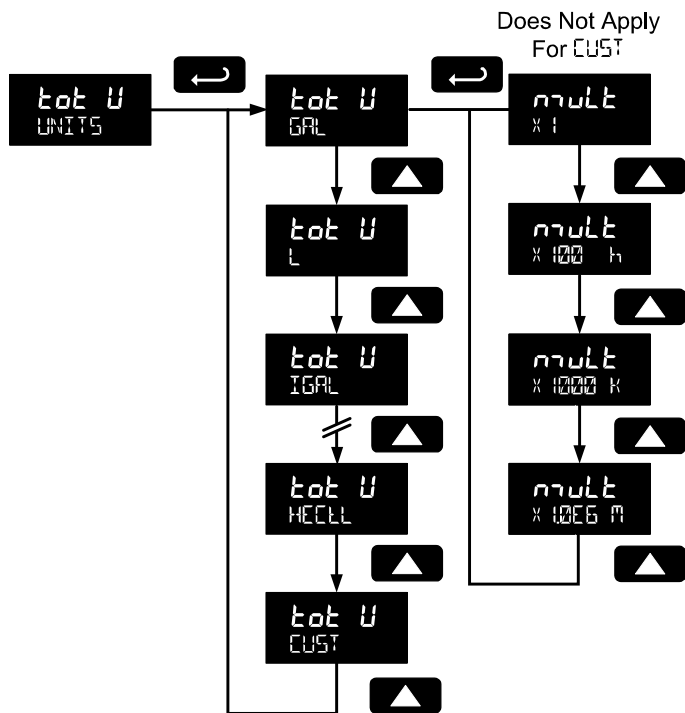
Total Units (tot U)

This menu is used to select the display units for the total. The base unit and a multiplier prefix are selected. If total and units are selected to display, the multiplier prefix will appear before the total unit (example: MGAL, KL).

Multipliers will convert the total for 1, 100, 1000, or 1 million units. The meter will calculate the total appropriately for display with the programmed multiplier and units.

A custom unit may be selected (CUST), and no multiplier menu will be required. In this case, use the total conversion factor as defined in Custom Units Total Conversion Factor on page 42.

Press the **Enter** button, at any time, to accept a setting or **Menu** button to exit without saving changes.



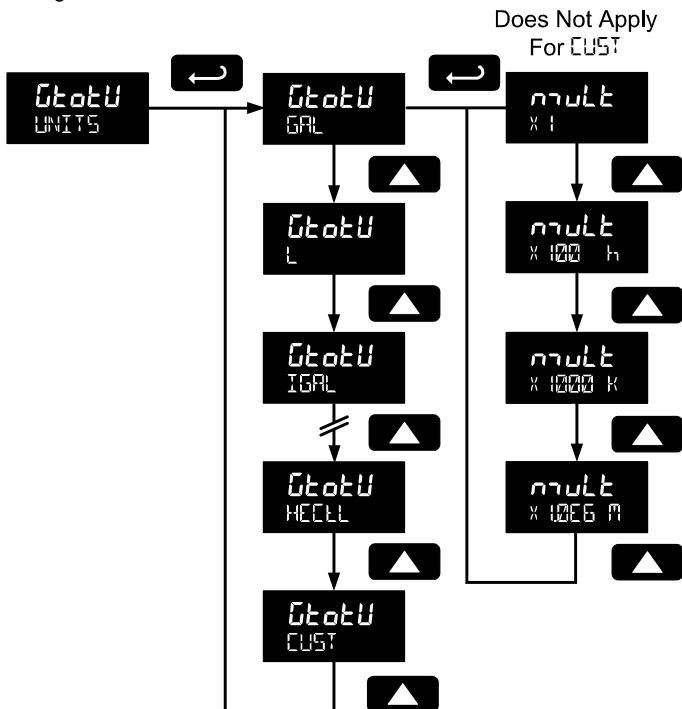
Grand Total Units (GtOtU)

This menu is used to select the display units for the grand total. The base unit and a multiplier prefix are selected. If grand total and units are selected to display, the multiplier prefix will appear before the total unit (example: mGAL, KL).

Multipliers will convert the total for 1, 100, 1000, or 1 million units. The meter will calculate the total appropriately for display with the programmed multiplier and units.

A custom unit may be selected (CUST), and no multiplier menu will be required. In this case, use the grand total conversion factor as defined in Custom Units Grand Total Conversion Factor (GrELF) on page 42.

Press the **Enter** button, at any time, to accept a setting or **Menu** button to exit without saving changes.



Automatic Unit Conversions

When switching from any standard unit of rate, total, or grand total to any other standard unit, automatic unit conversions are performed by the meter.

No unit conversions will be performed when the K-Factor Units (*F_{UNIT}*) menu is set to custom (*CUST*).

A total or grand total unit conversion will automatically change the displayed total and grand total to the equivalent volume of the newly selected unit.

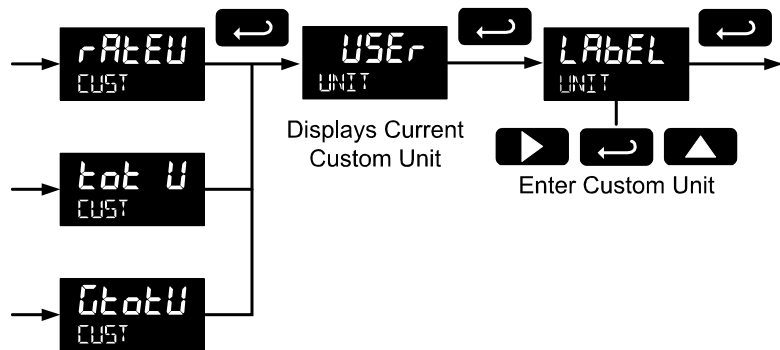
Custom Units Entry (*USER*)

When a custom unit is selected for rate, total, or grand total, a *User* menu allows for entry of the custom unit.

Any 5-digit 14-segment unit may be entered for a custom rate unit (example: *mL*).

Any 7-digit 14-segment unit may be entered for a custom total or grand total unit (examples: *GALLONS, BOTTLES, DRUMS*).

When selected for total or grand total, a custom unit will not allow a multiplier prefix. A custom total or grand total unit will allow a total or grand total conversion factor to be entered to define the unit. See Custom Units Total Conversion Factor on page 42 for details.



Fully alphanumeric values are set using the **Right** button to select the digit to be changed. Press the **Up** button to begin editing the digit, then the **Up** and **Right** arrow buttons to select the next or previous alphanumeric character. Press the **Enter** button to confirm and select the next digit to change.

For details on setting alphanumeric labels, refer to Setting Alphanumeric Labels (*Label*) on page 25.

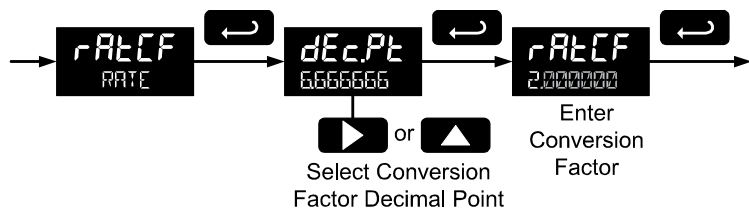
Press **Menu** button to exit this menu without saving changes.

Custom Units Rate Conversion Factor (*rAtCF*)

The rate conversion factor is only used when the *Units* for rate have been set to custom (*CUST*). This menu will not appear if standard display units are selected for the rate unit.

Rate Conversion Factor is used to convert to a custom unit of rate display. For example, to display rate as quantity of 2.5-gallon containers when the K-Factor units are set to gallons, enter a conversion factor of *2.500*.

Press the **Enter** button, at any time, to accept a setting or **Menu** button to exit without saving changes.

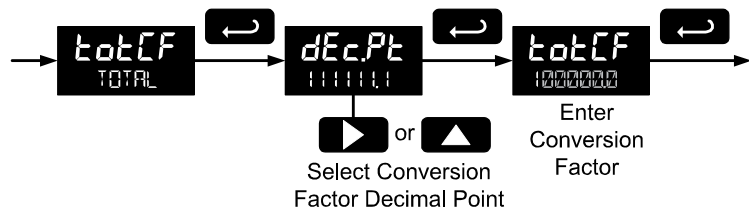


Custom Units Total Conversion Factor (tAtCF)

The total conversion factor is only used when the *Units* for total have been set to custom (CUS^T). This menu will not appear if standard display units are selected for total.

Total Conversion Factor is used to convert to a custom unit of total display. For example, to display total as quantity of 2.5-gallon containers when the K-Factor units are set to gallons, enter a conversion factor of *2.500*.

Press the **Enter** button, at any time, to accept a setting or **Menu** button to exit without saving changes.



Custom Units Grand Total Conversion Factor (GrAtCF)

The grand total conversion factor is only used when the *Units* for grand total have been set to custom (CUS^T). This menu will not appear if standard display units are selected for grand total.

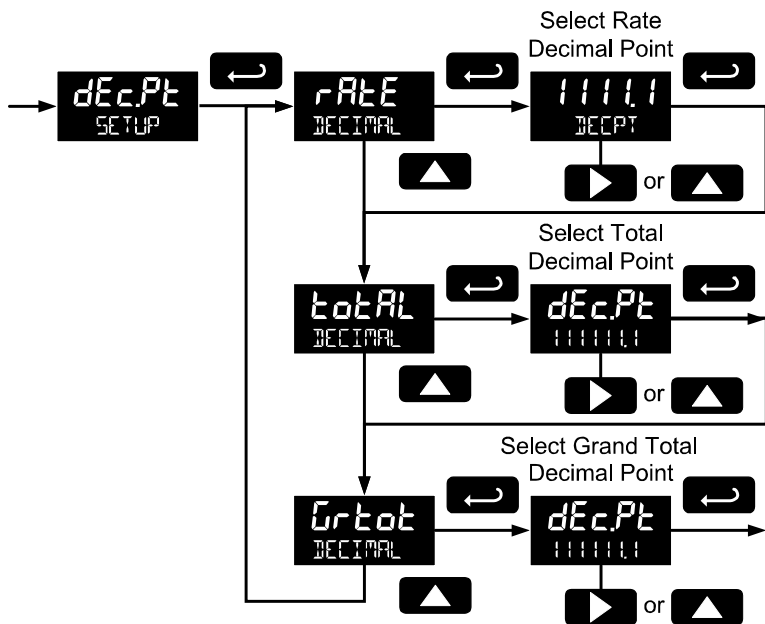
Grand Total Conversion Factor is used to convert to a custom unit of total display. For example, to display grand total as quantity of 2.5-gallon containers when K-Factor units are set to gallons, enter a conversion factor of *2.500*.

Press the **Enter** button, at any time, to accept a setting or **Menu** button to exit without saving changes.

Setting the Decimal Point (*dEcPt*)

Rate decimal point may be set with up to four decimal places or with no decimal point at all. Total decimal point may be set with up to six decimal places or with no decimal point at all. Grand total decimal point may be set with up to six decimal places or with no decimal point at all. Rate decimal, total decimal, and grand total decimal are programmed individually.

Pressing the **Right** arrow moves the decimal point one place to the right (including no decimal point). Pressing the **Up** arrow moves the decimal point one place to the left.

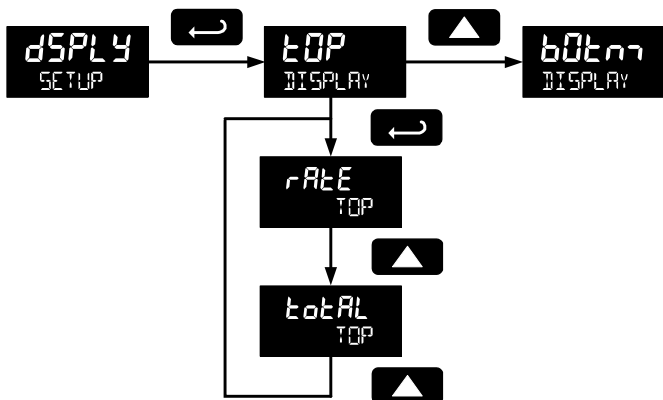


Configuring the Display (dSPLY)

The top and bottom displays can be independently programmed to display selected information.

Top Display (tOP)

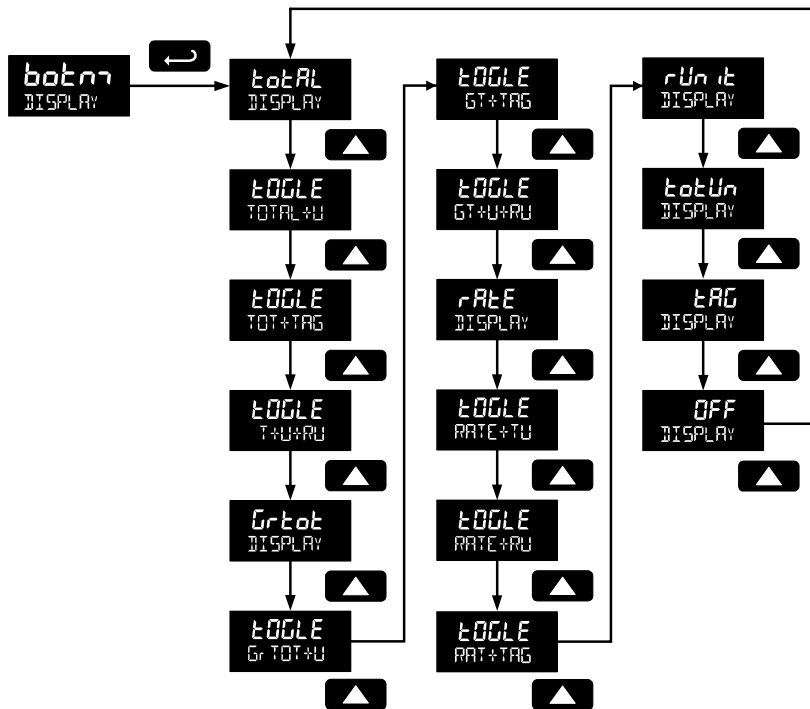
The top display can be programmed to display rate or total. When displaying total, the top display will only show the 5 least significant digits, with no overflow display, for a total from 0 to 99999. The total rolls over at 99999 to 0 when on the top display. For a full 7-digit total with 13-digit total overflow display function, use the bottom display for total.



Bottom Display (b0t0n)

The bottom display can be programmed to display the following information.

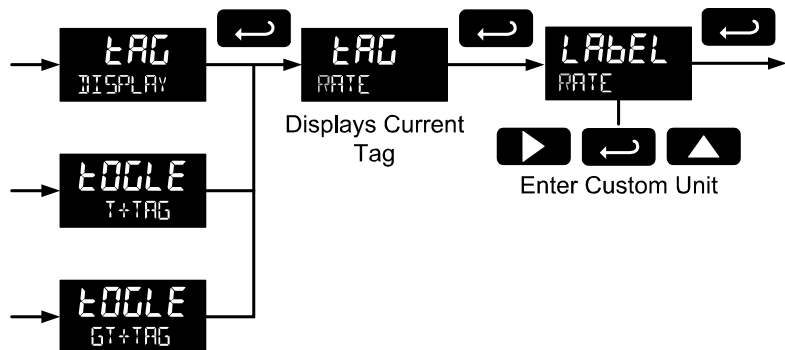
1. Total
2. Alternating total and total units
3. Alternating total and custom tag
4. Alternating total, total units, and rate units
5. Grand total
6. Alternating grand total and grand total units
7. Alternating grand total and custom tag
8. Alternating grant total, grand total units, and rate units
9. Rate
10. Alternating rate and total units
11. Alternating rate and rate units
12. Alternating rate and custom tag
13. Rate units
14. Total units
15. Custom tag
16. Off (blank)



Custom Tag (TAG)

When the bottom display selected includes a custom tag, a *User* menu will then allow a custom tag to be programmed.

Any 7-digit 14-segment label may be entered for a custom tag (examples: RATE, LINE 3, WATER).



Fully alphanumeric values are set using the **Right** button to select the digit, the **Up** and **Right** arrow buttons to select the digit reading, and the **Enter** button to confirm and select the next digit.

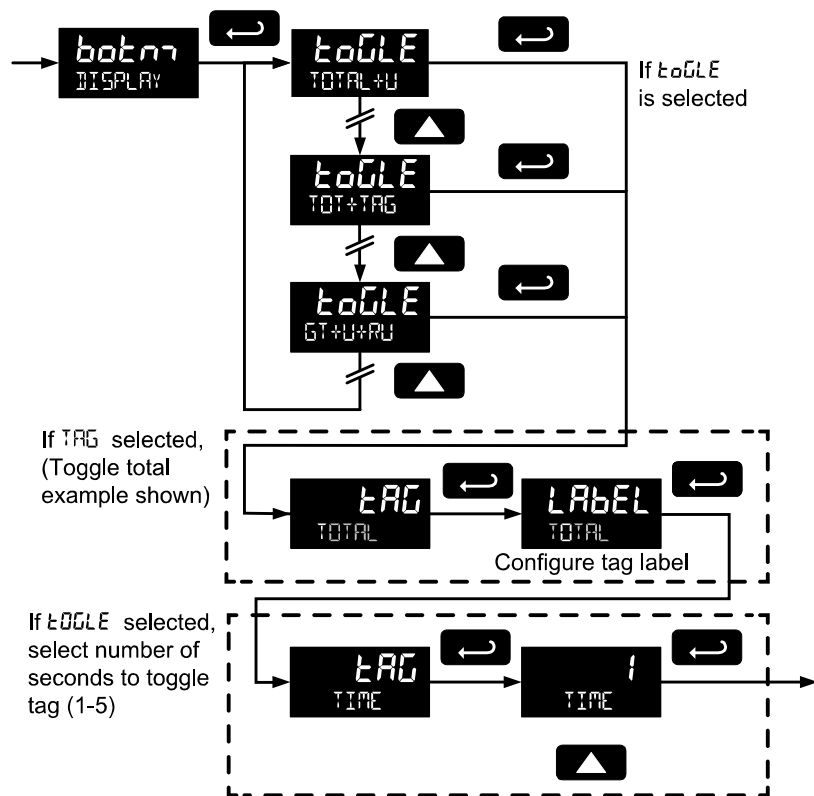
For details on setting alphanumeric labels, refer to Setting Alphanumeric Labels (**LABEL**) on page 25.

Setting the Toggle Time (TIME)

If the bottom display is programmed to toggle (tOGGLE), the meter will prompt for a toggle time. In addition, it may require a tag be entered, as shown in the example below.

Enter the time in seconds for the unit or tag to display in the bottom window every 10 seconds. The unit may be programmed to display for 1 to 5 seconds.

Press the **Enter** button, at any time, to accept a setting or **Menu** button to exit without saving changes.

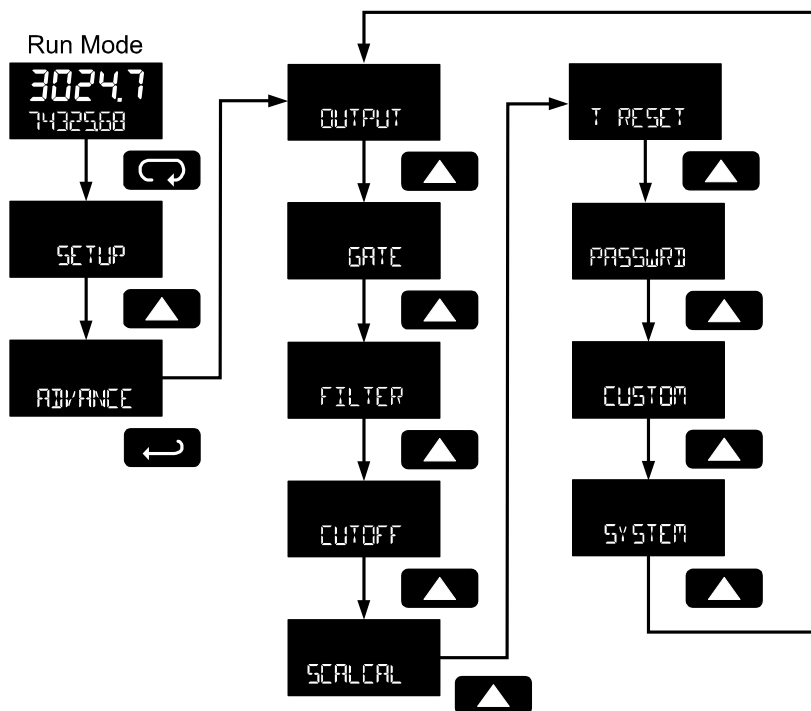


Advanced Features Menu

To simplify the setup process, functions not needed for most applications are located in the *Advanced Features* menu. Access the Advanced features menu by pressing **Enter** at the *Advance* menu in the Main Menu defined on page 26.

The *Advanced Features* menu is used to select:

1. Open collector output configuration (OUTPUT)
2. Analog output configuration (A OUT)
3. Gate function for low speed inputs (GATE)
4. Set the input filter (FILTER)
5. Set low flow cutoff (CUTOFF)
6. Scale or live calibrate the meter and override k-factor (SCALECAL)
7. Select method of total and grand total reset (T RESET)
8. Set passwords (PASSWORD)
9. Reconfigure the *Main* menu structure (CUSTOM)
10. Enter the *System* menu for meter settings and data logging (SYSTEM)
11. Configure serial communication settings (COMM) – if applicable
12. Enter low-power Standby Mode (STANDBY) on battery powered models



Press the **Enter** button to access any menu or press the **Up**-arrow button to scroll through choices. Press the **Menu** button to back out of a menu or hold the **Menu** button to exit at any time.

Advanced Features Menu & Display Messages

The following table shows the *Advanced* features menu functions and messages in the order they appear in the menu.

Display	Parameter	Action/Setting
ADVANCE	<i>Advanced</i>	Enter <i>Advanced</i> menu
OUTPUT	<i>Output</i>	Setup open collector outputs Out 1 and Out 2
OUT 1	<i>Output 1</i>	Assign function of open collector output 1
OUT 2	<i>Output 2</i>	Assign function of open collector output 2
PULSE	<i>Pulse</i>	Set Out 1 or Out 2 for pulse output mode
RATE	<i>Rate</i>	Assign pulse output to rate
TOTAL	<i>Total</i>	Assign pulse output to total
GRAND	<i>Grand total</i>	Assign pulse output to grand total
DEC.PT	<i>Decimal point</i>	Set K-factor decimal point
COUNT	<i>Count</i>	Set K-factor
RETR	<i>Retransmit</i>	Assign pulse output to retransmit
QUAD	<i>Quadrature</i>	Assign pulse output to quadrature
TEST	<i>Test</i>	Assign pulse output to test mode
ALARM	<i>Alarm</i>	Assign Out 1 or Out 2 for alarm output mode
RATE	<i>Rate</i>	Assign alarm output to rate
SET	<i>Set point</i>	Set rate alarm set point
RESET	<i>Reset point</i>	Set rate alarm reset point
TOTAL	<i>Total</i>	Assign alarm output to total
GRAND	<i>Grand total</i>	Assign alarm output to grand total
SET	<i>Set point</i>	Set total or grand total alarm set point
ON	<i>On</i>	Set output to on state
OFF	<i>Off</i>	Set output to off state
TIMER	<i>Timer</i>	Set Out 1 or Out 2 for timed pulse output mode
START	<i>Start</i>	Activate timed pulse output
DELAY	<i>Delay</i>	Set the time of one period (seconds)
ON	<i>On</i>	Set the active low pulse width
OFF	<i>Off</i>	Set Out 1 or Out 2 as off
GATE	<i>Gate</i>	Enter <i>Gate</i> menu
LD	<i>Low gate</i>	Set <i>Low Gate</i>
HI	<i>High gate</i>	Set <i>High Gate</i>
FILTER	<i>Filter</i>	Enter <i>Filter</i> menu
HI	<i>High speed filter</i>	Set <i>high speed filter</i>

Display	Parameter	Action/Setting
<i>mEd</i>	<i>Medium speed filter</i>	Set <i>medium speed filter</i>
<i>LO</i>	<i>Low speed filter</i>	Set <i>low speed filter</i>
<i>CUTOFF</i>	<i>Low-flow cutoff</i>	Enter <i>Low-Low Cutoff</i> menu
<i>SCALECAL</i>	<i>Scale & calibrate</i>	Enter the <i>Scale & Calibrate</i> menu to program without using a k-factor
<i>SCALE</i>	<i>Scale</i>	Enter the <i>Scale</i> menu
<i>CAL</i>	<i>Calibrate</i>	Enter the <i>Calibrate</i> menu
<i>Undo[?] KFACTOR</i>	<i>Undo K-factor</i>	Undo the <i>K-Factor</i> input programming
<i>Undo[?] SCALECAL</i>	<i>Undo scaling & calibration</i>	Undo the scaling and calibration input programming
<i>no[?]</i>	<i>No</i>	Do not undo other programming
<i>YES[?]</i>	<i>Yes</i>	Undo other programming
<i>noPTS</i>	<i>Number of points</i>	Enter the number of scaling or calibration points
<i>inP 1</i>	<i>Input 1</i>	Calibrate or scale input 1 value
<i>dSP 1</i>	<i>Display 1</i>	Program display 1 value
<i>inP 2</i>	<i>Input 2</i>	Calibrate or scale input 2 value
<i>dSP 2</i>	<i>Display 2</i>	Program display 2 value
<i>SAVE[?]</i>	<i>Save</i>	Save entered calibration or scale parameters
<i>T RESET</i>	<i>Total reset</i>	Enter the <i>Total Reset</i> menu
<i>ErSE</i>	<i>Total reset</i>	Select the <i>Total Reset</i> method
<i>mRn</i>	<i>Manual</i>	<i>Manual</i> total reset
<i>EnAbL</i>	<i>Enable</i>	<i>Enable</i> manual reset
<i>dSAbL</i>	<i>Disable</i>	<i>Disable</i> manual reset
<i>AutO</i>	<i>Automatic</i>	<i>Automatic</i> total reset
<i>T DELAY</i>	<i>Time delay</i>	<i>Automatic</i> reset <i>time delay</i>
<i>ErRE</i>	<i>Total Reset Time</i>	Enter the time of day to reset the total hh.mm (Default: 00.00 midnight)
<i>SEt CLOCK</i>	<i>Set Clock</i>	Message indicates that the clock must be set. Go to <i>Advance – System – Set Time</i>
<i>GrSE</i>	<i>Grand total reset</i>	Select the <i>Grand Total Reset</i> method
<i>PASSWD</i>	<i>Password</i>	Enter the <i>Password</i> menu
<i>PASS</i>	<i>Password</i>	Program password to lock meter parameters
<i>PASS T</i>	<i>Password total</i>	Program password to prevent total reset
<i>PASS GT</i>	<i>Password grand total</i>	Enter password to <i>permanently</i> lock out grand total related parameters and reset

Display	Parameter	Action/Setting
UNLOC	Unlock	Password has been unlocked
LOCd	Lock	Password has been locked
UNLOCKD	Unlocked	Program password to lock meter
LOCKED	Locked	Enter password to unlock meter
CUSTOM	Custom	Enter <i>Custom</i> menu
POS 1	Position 1	Set menu position 1 (1-8)
POS 8	Position 8	Set menu position 8
SYSTEM	System	Enter <i>System</i> menu
SETTIME	Set time	Set real-time clock date and time
YEAR	Year	Set the year
MONTH	Month	Set the month
01	January	Set month as January
02	February	Set month as February
03	March	Set month as March
04	April	Set month as April
05	May	Set month as May
06	June	Set month as June
07	July	Set month as July
08	August	Set month as August
09	September	Set month as September
10	October	Set month as October
11	November	Set month as November
12	December	Set month as December
DAY	Day	Set the day
TIME	Time	Set the hour and minute
DATALOG	Data log	Enter <i>Data Log</i> menu
LOGTIME	Log time	Set daily data log times
LOG 1	Log 1	Set first daily log time (1-4)
DSABL	Disable	Disable log number
INTERVL	Interval	Set interval log time
START	Start	Begin interval logging
LOGVIEW	Log view	View data log
ALL LOG-- VIEW	All log view	View all data log points
LOG NUM	Log number	Go to specific log number
ALL ERASE	All erase	Erase all logs

Display	Parameter	Action/Setting
ErASEP	<i>Erase?</i>	Confirm to erase all logs
BACLITE	<i>Backlight</i>	Enable or disable backlight
dSAbL	<i>Disable</i>	<i>Disable</i> backlight
EnAbL	<i>Enable</i>	<i>Enable</i> backlight
BACKUP	<i>Backup</i>	Enter <i>Backup</i> menu
SAVEP	<i>Save?</i>	Save current parameters to backup restore
LOADP	<i>Load?</i>	Load parameters from backup restore
dEFLt	<i>Default</i>	Restore factory default parameter settings
rESEt dFALtSP	<i>Reset defaults</i>	Confirm factory reset
INFO	<i>Info</i>	Enter <i>Info</i> menu
SOFT	<i>Software</i>	Display software ID number
VER	<i>Version</i>	Display software version number
modL	<i>Model</i>	Display model number

Open Collector Outputs (OUTPUT)

The meter is equipped with two NPN open collector outputs that may be set up for pulse outputs, alarms, timed pulses, or turned off.

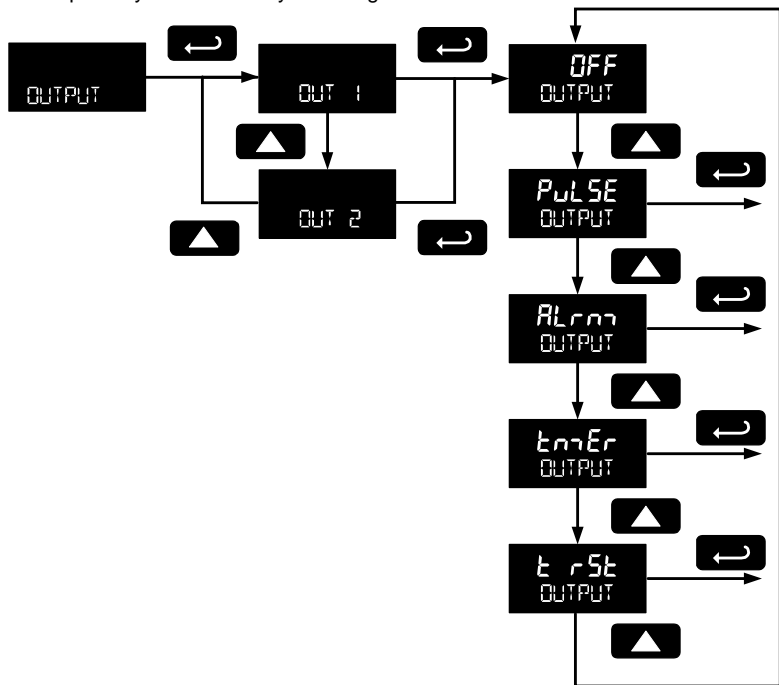
Pulse outputs are based on K-factor, total or grand total counts, or one-for-one retransmit for input pulses. Both outputs may be used to generate a quadrature output based on any pulse menu output type. An output test mode is also selectable to generate pulses at a constant programmable frequency.

Alarms are available based on the rate, total, or grand total. The alarm status will show on the display even if the output is not wired. The outputs may also be forced on or off.

A timed pulse output generates constant pulses at a specified frequency and on time.

A total reset output generates a pulse whenever the selected total is reset, total or grand total, regardless of the reset method used. The On time is programmable between 0.10 and 99,999.99 sec.

The output may be disabled by selecting *OFF*.

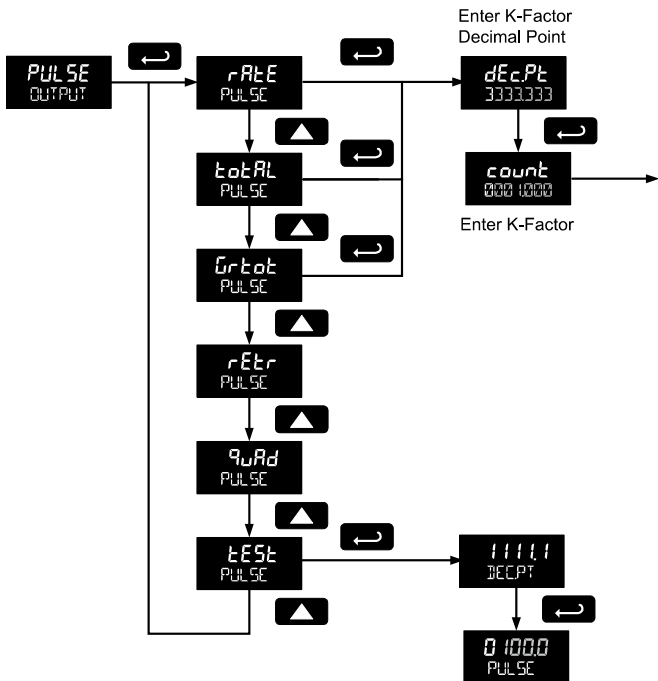


Output 1 and 2 Setup (OUT 1, OUT 2)

The function of open collector output 1 and 2 is configured using the *Off*, *Pulse*, *Alarm*, and *Timer* menus detailed below.

Pulse Output (PULSE)

Pulse outputs may be assigned to rate, total, grand total, retransmit, quadrature, or test.



Rate Pulse Output (rATE)

A rate-based pulse output is a factor of the rate display and count (output K-factor). The rate display is a factor of the input pulses, time base, and the input K-factor. The rate of output pulses over one-time base (seconds, minutes, hours, days) is defined below in terms of input pulses and the input K-factor and count parameters.

$$\text{Number of Output Pulses} = \frac{\left(\frac{\text{Input Pulses}}{\text{Input K-Factor}} \right)}{\text{Count}}$$

For example, if the input K-factor value is set to 10, and the count set to 10, one output pulse is generated for every 100 input pulses.

Total & Grand Total Pulse Output (tOTAL, GrTotal)

A total and grand total based pulse output is a factor of the associated total and count (output K-factor). A pulse will be generated for every total accumulation amount equal to the count.

If the maximum output frequency would be exceeded, the meter will display the message *PULSE OVERRANG* alternating on the display.

Retransmit Output (rETR)

The retransmitting pulse output will send an output pulse for every input pulse, essentially duplicating the input signal. The output will generate a pulse at the falling edge of every input pulse.

No additional programming is required for a retransmitting pulse output.

If the maximum output frequency would be exceeded, the meter will display the message *PULSE OVERRANG* alternating on the display.

Quadrature Output (QURd)

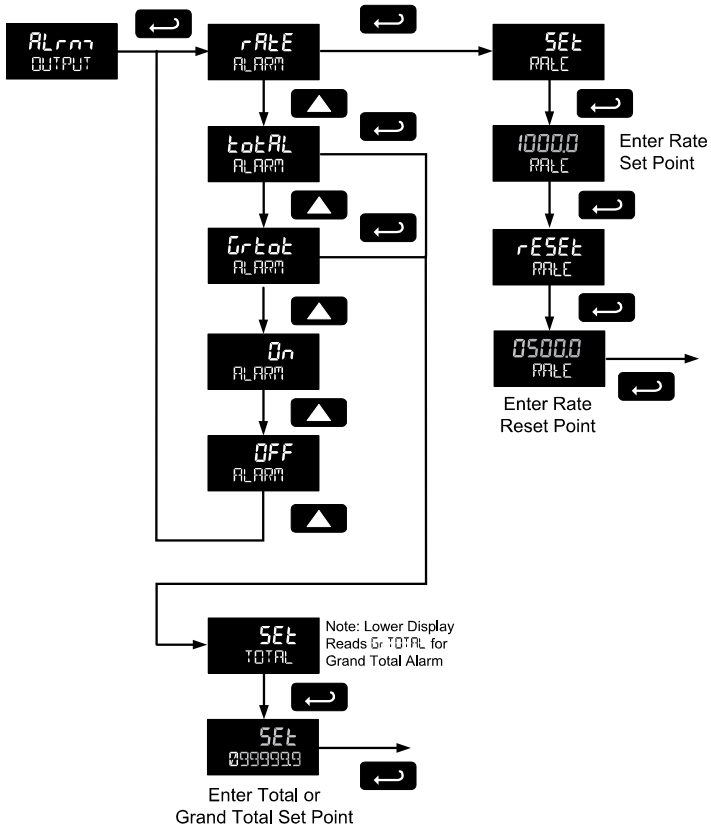
The pulse output set to quadrature will duplicate the other open collector output, but lag by $\frac{1}{4}$ duty cycle (90 degrees out of phase). For example, Out 1 will follow Out 2, if Out 1 is set to *QURd*. Only one output should be set to *QURd*. If both outputs are set to *QURd*, both outputs will be disabled. The other output should be programmed as desired for the quadrature output function, and must be a pulse (*PULSE*) output selection.

Test Output (tEST)

The test output setting programs the output to generate pulses at a programmed constant frequency. Set the frequency decimal point location in the *dELPt* menu, and then enter the desired output frequency in Hz in the *PULSE* menu.

Alarm Output (ALARM)

Alarm outputs may be assigned to rate, total, or grand total; or be forced on or off.



Rate Alarm (rATE)

Program the rate *set point* to trigger the alarm. Rate alarm deadband is determined by the difference between set and reset points. Minimum deadband is one display count. If set and reset points are programmed the same, output will reset one count below set point.

Total or Grand Total Alarm (totAL, GrTot)

Program total or grand total *set point*. A pulse alarm will generate when the *set* value is reached by the total or grand total.

If the total/grand total is set for manual reset, this alarm will remain until the total/grand total is reset to 0.

If automatic total/grand total reset is enabled, the output will generate an alarm for a period of time programmed in **ADVANCE** → **T RESET** → **Auto** → **T DELAY**. After this time delay, the total/grand total will reset to 0 and the alarm will clear.

If Out 1 and Out 2 are set for total or grand total alarm, the auto reset will be triggered on the highest of the two alarm set points.

For details on setting the total or grand total automatic reset time delay, see Total Reset (T Reset) on page 65.

Force On State (On)

This alarm mode forces the output to be active, or on. This mode is primarily used to test alarm systems.

Force Off State (Off)

This alarm mode forces the output to be inactive, or off. This mode is primarily used to test alarm systems.

Timer Output (On Er)

The timer output produces a constant width pulse at a constant rate. Program the *Delay Period* for one period from 0.1 to 999999.9 seconds (time from the start of one pulse to the start of the next pulse).

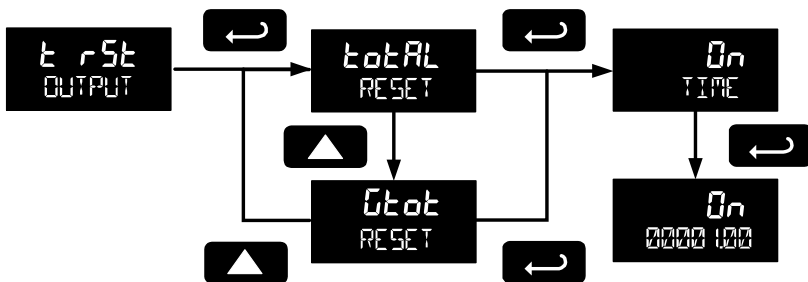
Program the *On Time* for the active low pulse from .01 to 99999.99 seconds (pulse width). The *on* time must be less than the delay time.

Select *Start* to begin outputting the constant timed pulse.

Select *Stop* to end outputting the constant timed pulse.

Total Reset Output (t rSt)

A total reset output generates a pulse whenever the selected total is reset, total or grand total, regardless of the reset method used. Program the *On Time* from 0.10 to 99,999.99 seconds. This is the amount of time the open collector output will remain on after the total or grand total has been reset.



Gate Function (GATE)

The gate function is used for displaying slow pulse rates. Using the programmable gate, the meter is able to display pulse rates as slow as 1 pulse every 9,999 seconds (0.0001 Hz). The gate function can also be used to obtain a steady display reading with a fluctuating input signal.

There are two settings for the GATE, low gate (LD) and high gate (HI).

Low Gate (LD GATE)

For most applications, low gate setting should be left at 1 second. Increase low gate setting to obtain a steadier rate display. The rate display will update in accordance with the low gate setting, for example if low gate is set at 10, the display will update every 10 seconds; changes in rate between updates will not be reflected until next display update.

High Gate (HI GATE)

Set the high gate value to correspond to the highest expected pulse period (lowest pulse rate). For instance, if the meter must display a rate when there is 1 pulse coming into the meter every 10 seconds, set the high gate to 11 seconds. When the signal is removed from the meter, the display will show the last reading for 11 seconds; then it will read zero.

Contact Debounce Filter (FILTER)

The filter function (FILTER) can be used for applications where the meter is set up to count pulses generated by switch contacts. There are three settings, HI (high speed), MED (medium speed), and LD (low speed). High speed disables the contact debounce filter and allows any pulse of the minimum specified width for the selected input type. Press ENTER when MED or LD is displayed to enable the filter function. The medium filter ignored signals faster than 250 Hz max, or pulse widths less than 2 ms at 50% duty cycle. The low filter ignores signals higher than 100 Hz, or pulse widths less than 5 ms at 50% duty cycle.

Low-Flow Cutoff (CUTOFF)

The low-flow cutoff feature allows the meter to be programmed so that the often-unsteady output from a transmitter at low flow rates, always displays zero on the meter.

The cutoff value may be programmed from 0 to 9999.9. Below the cutoff value, the meter will display zero. Programming the cutoff value to zero disables the cutoff feature.

Scaling & Calibration (SCALE)

It is **very important** to read the following information, before proceeding to program the meter:

- There is **no need to recalibrate** the meter for frequency in Hz when first received from the factory.
- The meter is **factory calibrated** for Hz prior to shipment. The calibration equipment is traceable to NIST standards.



IMPORTANT

Performing a scaling or calibration operation will override any k-factor programming. Similarly, completing the k-factor menu will override any scaling or calibration performed on the meter. Verify the method of programming required, use the password protection feature to secure the meter if necessary.

There are three methods of programming the display to show the correct engineering units based on input pulses.

- Use the *Factor* menu to enter a K-Factor.
- Use the *Scale* menu to enter the scaling without a signal source.
- Use the *Calibrate* menu to apply a signal from a calibrator or a flowmeter.

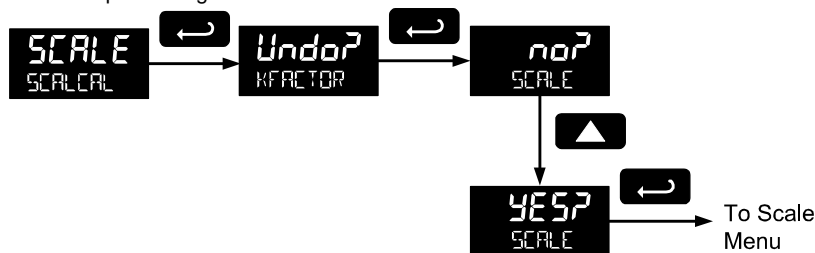
The k-factor, scale, and calibrate functions are exclusive of each other. The meter uses the last function programmed. The *Scale and Calibrate* functions can use up to 32 points (default is 2). The number of points should be set in *Scale and Calibrate* accordingly under the Number of Points (*nOPt5*) menu selection prior to scaling and calibration of the meter, see page 61 for details.

This menu is used to scale and calibrate the meter. For information on using a k-factor for programming the input, refer to Entering the K-Factor (*FkctR*) on page 34.

Undoing K-Factor, Scale, and Calibration (*Undo?*)

Whenever the input programming is being changed from using k-factor to scaling or calibration; or from scaling or calibration to k-factor, a confirmation menu appears. This prevents accidental changing of the input programming.

The example below shows a meter programmed with a k-factor being reprogrammed to utilize input scaling.

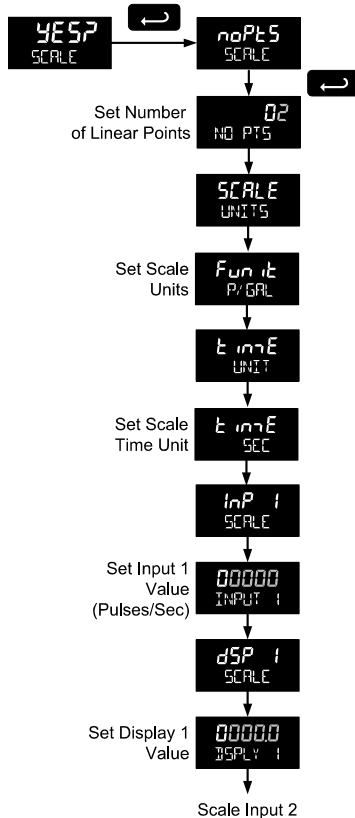


Scaling the Meter (SCALE)

The pulse input can be scaled to display the process variable in engineering units. A signal source is not needed to scale the meter; simply program the inputs and corresponding display values.

A programmed scaled input will work with Automatic Unit Conversions as described on page 41. The units for the display values that must be entered are a combination of the programmed *Rate Unit* and the time unit (TIME UNIT) entered in the *Scale* menu.

For example, if the *Rate Unit* is gallons, and the time unit (TIME UNIT) is seconds, the units for the display values entered in the *Scale* menu are gallons/second.



For instructions on how to program numeric values see page 25.

Multi-Point Linearization (NOPTS)

Up to 32 linearization points can be selected under the NOPTS function. The multi-point linearization can be used to linearize the display for non-linear inputs.

Number of Points (NOPTS)

Enter number of linearization points. The default value is 2 points. For linear inputs requiring only 2 scale points, the number of points can be left at 2.

Scale Units (SCALE UNITS)

Enter the units associated with the desired scale values. Selecting the scale display units allows the meter to perform automatic unit conversions.

Pulse Input Time Unit (TIME UNIT)

This is the time component for the engineering units of the display values being entered. Enter the appropriate units/second, units/minute, units/hour, or units/day that corresponds to the values being entered at the display 1-32 (dSP) menus.

For example, if the display values are being entered in gallons/second the time unit would be set to seconds.

Scale Input and Display (INPUT, DISPLAY)

Each scale input point is defined by an input frequency and a corresponding display value.

The frequency inputs may be entered with up to three decimal places. To access the decimal location digits when entering a frequency, use the **Right** button to scroll to the three decimal location digits.



Manual Multi-point Entry (INP, dSP)

Manual entry of the linearization data is done once the number of points has been selected (NOPTS). Input signal levels (INP 1-32) for up to 32 points, along with the desired/ corresponding meter reading (dSP 1-32), should be entered for each linearization point.

Each scale point (1-32) has an input value and a display value. The input value is the number of pulses/sec (frequency), and the display value is the corresponding display value for that input in the time unit selected (example: gallons per minute, or GPM)

Important Programming Note: Save (SAVEP)

After entering the last display value, the scaling entries must be saved (SAVEP) before they will be put into effect. However, you may move past this selection using the Up-arrow key if you need to go back and correct an earlier entry. Once confident in the entries, however, the user must navigate back to the Save menu screen (SAVEP) and press the **Enter** key to save the changes.

Calibrating the Meter (CAL)

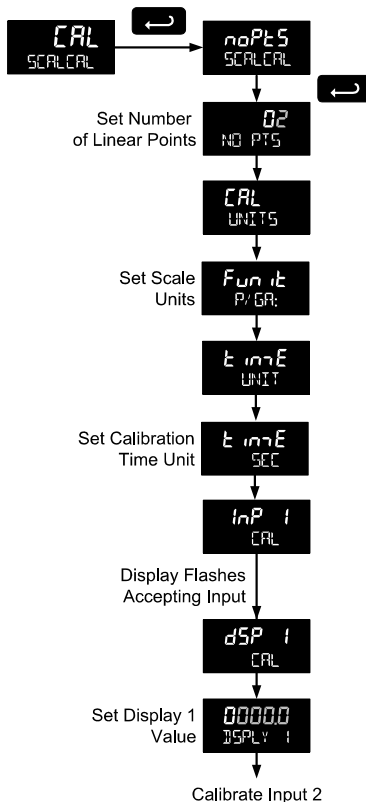
To scale the meter without a signal source refer to Entering the K-Factor (*FRActr*) on page 34 or Scaling the Meter (*SCALE*) on page 61.

The pulse input can be calibrated to display the process in engineering units by applying the appropriate input signal and following the calibration procedure.

The use of a calibrated signal source is strongly recommended.

A calibrated input will work with Automatic Unit Conversions as described on page 41. The units for the display values that must be entered are a combination of the programmed *Rate Unit* and the time unit (*TIME UNIT*) entered in the *Calibrate* menu.

For example, if the *Rate Unit* is gallons, and the time unit (*TIME UNIT*) is seconds, the units for the display values entered in the *Calibrate* menu are gallons/second.



The multi-point linearization feature (nOPt5) can be used to linearize the display for non-linear signals. For instructions on how to utilize this feature, see Multi-Point Linearization (nOPt5), page 65.

For instructions on how to program numeric values see *Setting Numeric Values*, page 25.

1. Press the **Up** arrow button to scroll to the *Calibration* menu (LRl) and press **Enter**.
2. The meter displays nOPt5. For a linear signal, press **Up** arrow. For a non-linear signal, refer to Multi-Point Linearization (nOPt5), page 65.
3. The meter displays LRl UNITS. Press **Enter** to select the input units/pulse. The menu will read Fun t.
4. Use the **Up** arrow to select the time unit. If entering display values in units/second, press **Enter**. Otherwise, select the time unit. Refer to Pulse Input Time Unit (Time UNIT) on page 65.
5. The meter displays nP 1. Apply a known signal and press **Enter**. The display will flash while accepting the signal.
6. After the signal is accepted, the meter displays d5P 1 Press **Enter**. Enter a corresponding display value for the signal input, and press **Enter** to accept.
7. The meter displays nP 2. Apply a known signal and press **Enter**. The display will flash while accepting the signal.
8. After the signal is accepted, the meter displays d5P 2. Press **Enter**. Enter a corresponding display value for the signal input and press **Enter** to accept.
9. After completing calibration, the SAVEP display will need to be acknowledged using the **Enter** key before calibration will take effect.

Important Programming Note: Save (SAVEP)

After entering the last display value, the calibration entries must be saved (SAVEP) before they will be put into effect. *However*, you may move past this selection using the Up-arrow key if you need to go back and correct an earlier entry. Once confident in the entries however, the user must navigate back to the Save menu screen (SAVEP) and press the Enter key to save the changes.

Error Message (Error)

An error message indicates that the calibration or scaling process was not successful. After the error message is displayed, the meter reverts to input 2 during calibration or scaling, allowing the appropriate input signal to be applied or programmed.

The error message might be caused by any of the following conditions:

1. Input signal is not connected to the proper terminals or it is connected backwards.
2. Minimum input span requirements not maintained.
3. Input 1 signal inadvertently applied to calibrate input 2.

Minimum Input Span

The minimum allowed input span is 1 Hz, which is the minimum difference between input 1 and input 2 signals required to complete the calibration or scaling of the meter.

Multi-Point Linearization (noPE5)

Up to 32 linearization points can be selected under the noPE5 function. The multi-point linearization can be used to linearize the display for non-linear inputs. Linearization data can be entered using a known accurate signal source (InP 1-32) and then entering the desired/corresponding meter reading (dSP 1-32) for that input signal level. These points are established via direct entry (SCALE) or with an external calibration signal (CAL).

Calibration Units (CAL UNITS)

Enter the units associated with the desired scale values. Selecting this unit allows the meter to perform automatic unit conversions.

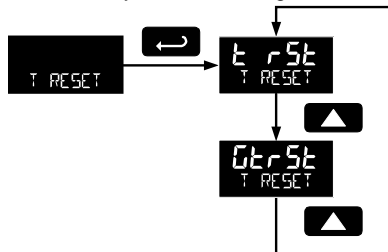
Pulse Input Time Unit (PULSE UNIT)

This is the time component to be used when calibrating a number of input pulses per time unit to equal a certain display value.

For example, if the inputs being entered in pulses/second the time unit would be set to seconds.

Total Reset (T RESEL)

This menu is used to select the ways the total and grand total may be reset.



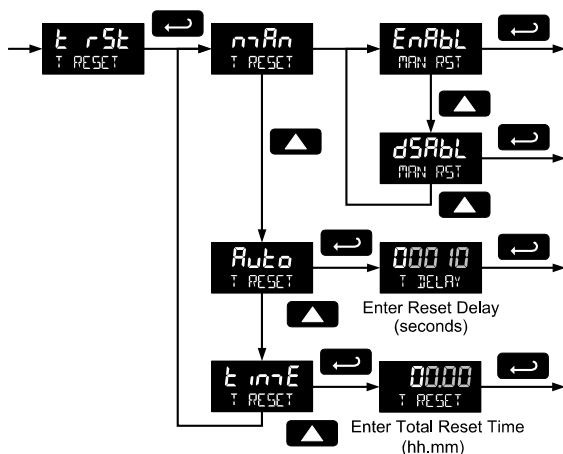
Manual or Automatic Total Reset Function (t r5t)

For manual reset, select T RESET → t r5t → n r An and then select whether manual reset will be enabled (EnAbL) or disabled (d5AbL) using the **Up** arrow key. Press the **Enter** button to accept. Disabling reset will avoid inadvertent resets of the total via the front reset button or external reset contact.

For automatic reset, select T RESET → t r5t → Auto → T DELAY and enter reset delay time in seconds. Once the output alarm total set point is reached, the meter waits for a programmed amount of time (T DELAY) and then resets the total to zero.

For timed reset, select T RESET → t r5t → t r m E → T RESET and enter the time of day at which the total should be reset. The total value will be reset every day at the specified time.

Press the **Enter** button, at any time, to accept a setting; otherwise press the **Menu** button to exit without saving changes.



Total Alarm Time

The T DELAY parameter is used by the NPN open collector outputs when they are programmed as total alarms. If total reset (t r5t) is programmed to Auto the time delay (T DELAY) is the length of the associated Out 1 or Out 2 total alarm prior to the total being reset to 0.

For information on programming the NPN open collector pulse outputs as total alarms, see Alarm Output programming on page 57.

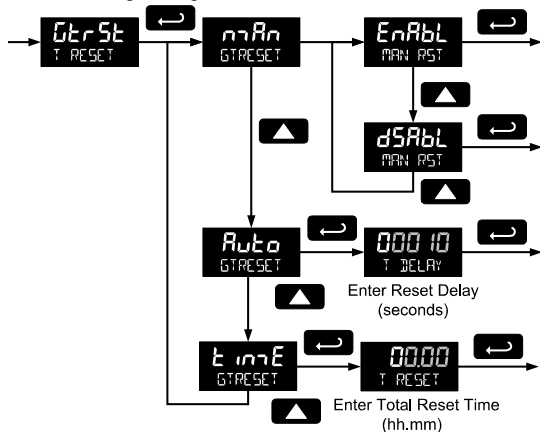
Manual or Automatic Grand Total Reset Function (GTrSt)

For manual reset, select \uparrow RESET \rightarrow GTrSt \rightarrow nAn and then select whether manual reset will be enabled (EnAbL) or disabled (dSAbL) using the **Up** arrow key. Press the **Enter** button to accept. Disabling reset will avoid inadvertent resets of the total via the front reset button.

For automatic reset, select \uparrow RESET \rightarrow GTrSt \rightarrow Auto \rightarrow T DELAY and enter reset delay time in seconds. Once the grand alarm output grand total set point is reached, the meter waits for a programmed amount of time (T DELAY) and then resets the grand total to zero.

For timed reset, select \uparrow RESET \rightarrow t rSt \rightarrow t mE \rightarrow T RESET and enter the time of day at which the total should be reset. The total value will be reset every day at the specified time.

Press the **Enter** button, at any time, to accept a setting; otherwise press the **Menu** button to exit without saving changes.



Grand Total Alarm Time

The T DELAY parameter is used by the NPN open collector outputs when they are programmed as grand total alarms. If *grand total reset* (GTrSt) is programmed to Auto, the *time delay* (T DELAY) is the length of the associated Out 1 or Out 2 grand total alarm prior to the grand total being reset to 0.

For information on programming the NPN open collector pulse outputs as grand total alarms, see Alarm Output programming on page 57.

Press the **Enter** button, at any time, to accept a setting; otherwise press the **Menu** button to exit without saving changes.

Setting Up Passwords (PASSWORD)

The *Password* menu is used to program a five-digit password to prevent unauthorized changes to the programmed parameter settings, to restrict the ability to reset the total and grand total, and to permanently lockout the ability to reset the grand total and any grand total related parameters.

The lock symbol is displayed to indicate that settings are password protected.

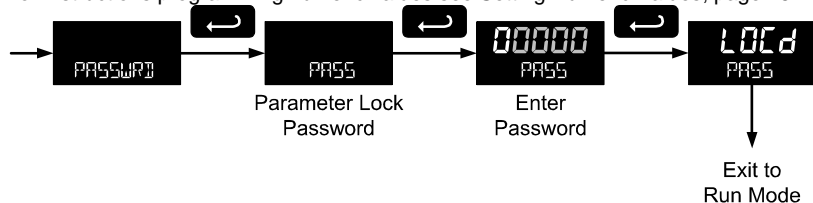
Record all passwords for future reference. If appropriate, it may be recorded in the space provided.

Model:	
Serial Number:	
Setting Lockout Password (PASS):	_____
Total Reset Password (PASS T):	_____
Grand Total Reset Password (PASS GT):	_____

Locking Meter Setup Parameters

Enter the *Password* menu, select **PASS**, and program a five-digit password. The meter will return to *Run Mode* after locking any of the passwords.

For instructions programming numeric values see Setting Numeric Values, page 25.



Making Changes to a Password Protected Meter

If the meter is password protected, the meter will display the message **PASS LOCKED** when an attempt is made to enter the *Setup* menu or *Advanced* menu. Press the Enter button while the message is being displayed and input the correct password followed by the **Enter** button to gain access to the menu. After exiting the programming mode, the meter returns to its password protected condition.

Password Restricting Total & Grand Total Reset

To restrict resetting of the total, enter the *Password* menu, select **PASS T**, and program a five-digit password. This will deactivate the remote reset connections. Total will only be able to be reset through the through-glass buttons or mechanical pushbuttons, if the appropriate password is entered.

To restrict resetting of the grand total, enter the *Password* menu, select **PASS GT**, and program a five-digit password.

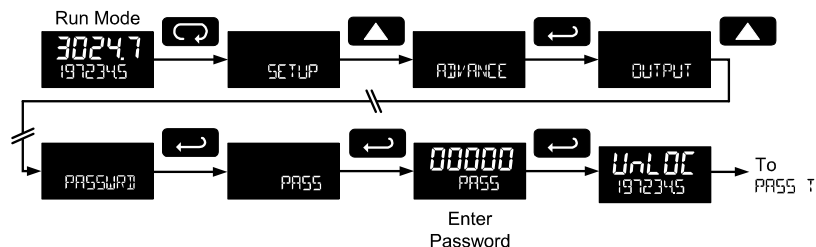
Resetting Total & Grand Total on a Password Protected Meter

If the meter is password protected for total or grand total reset, the meter will display the message `PASS T` or `PASS GT` when an attempt is made to enter the password protected total or grand total *Reset* menus. Input the password and press the **Enter** button to reset the total or grand total.

The password requirement may be disabled by entering the password in the *Password* menu for total (`PASS T`) or grand total (`PASS GT`).

Disabling Password Protection

To disable the password protection, access the *Password* menu, select the type of password to be disabled, and enter the correct password as shown below. That password is now disabled until a new password is entered.



If the correct five-digit password is entered, the meter displays the message `UnLOC` (*unlocked*) and the protection is disabled until a new password is programmed.

If the password entered is incorrect, the meter displays the message `LOCd`.

Did you forget the passwords?

The password may be disabled by entering a master password. If you are authorized to make changes, enter the master settings lockout (`PASS`) password 50865, the master total reset (`PASS T`) password 80034, or the master grand total reset (`PASS GT`) password 80034 to unlock the meter.

Non-Resettable Grand Total

The grand total may be configured to be a non-resettable grand total. This is a permanent setting. Configuring the grand total as a non-resettable grand total locks out all setup parameters that could be used to reset the grand total or change the setup of the grand total; including input selection, rate scaling, and conversion factors.

To configure the meter for non-resettable grand total mode, enter the non-resettable grand total password below into the *Pass GT* parameter in the *Password* menu.

The non-resettable grand total permanently locks the following setup menus and parameters from being changed: input selection, K-factor, K-factor units, grand total units, grand total conversion factor, grand total decimal point, scaling, calibration, grand total alarms, pulse input filter, and cutoff.



CAUTION

Locking the meter into a non-resettable grand total is not reversible. It is a permanent meter configuration. Doing so will permanently prevent most input parameters from being altered. This should be the last step after verifying all setup parameters.

Non-resettable grand total password: 50873

Non-Resettable Grand Total Locked Menus & Parameters

Display	Parameter/Menu	Action/Setting Locked
<i>INPUt</i>	<i>Input</i>	All <i>Input</i> type selection menu parameters
<i>GrTotU</i>	<i>Grand total units</i>	Set grand total units
<i>GrTCF</i>	<i>Grand total conversion factor</i>	Enter the <i>Grand Total Conversion Factor</i> menu
<i>GrTot DECIMAL</i>	<i>Grand total decimal point</i>	Enter the grand total display decimal point
<i>FRctR</i>	<i>K-factor</i>	All <i>K-Factor</i> menu parameters
<i>SCALE</i>	<i>Scale</i>	All <i>Scale</i> menu parameters
<i>CAL</i>	<i>Calibrate</i>	All <i>Calibrate</i> menu parameters
<i>GrTSt</i>	<i>Grand total reset</i>	All the <i>Grand Total Reset</i> menu parameters
<i>PASS GT</i>	<i>Password grand total</i>	Enter the grand total reset password
<i>GrTot ALARM</i>	<i>Grand total alarm</i>	All grand total ALARM output menu parameters
<i>FILTER</i>	<i>Filter</i>	Enter <i>Filter</i> parameter
<i>CUTOFF</i>	<i>Low-flow cutoff</i>	Enter <i>Low-Flow Cutoff</i> parameter

The above menus remain accessible; however the parameters listed above within the menus are locked and may not be changed.

Custom (CUSTOM)

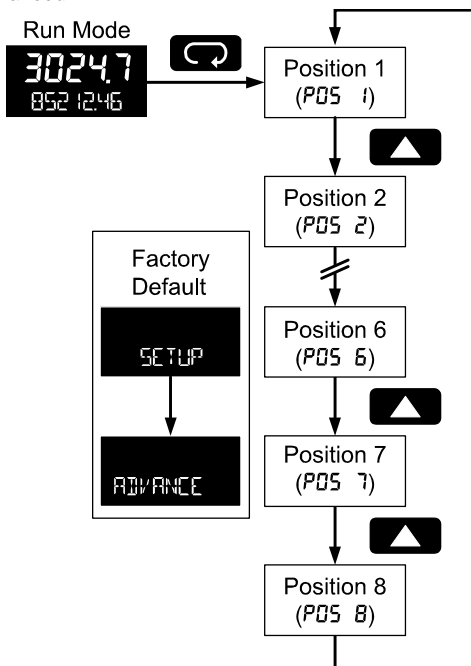
The *Custom* menu is used to modify the initial programming menus that appear in the Main Menu when the **Menu** button is pressed in Run Mode.



CAUTION

Changing the default menu setup with the *Custom* menu feature may change the setup and operation procedures described in this manual. Only operators familiar with the programming and operation of this unit should use this feature.

Eight menu positions are available. Menu positions 6 and 7 are factory programmed for *Setup* and *Advanced*.



To add a menu or parameter to the menu structure, or change the default menus, press **Enter** at the desired menu in the position (*P05*) to be edited, and use the **Up** or **Right** arrows to select the desired menu item for that position. See page 72 for a complete list of the available menu selections for each position.

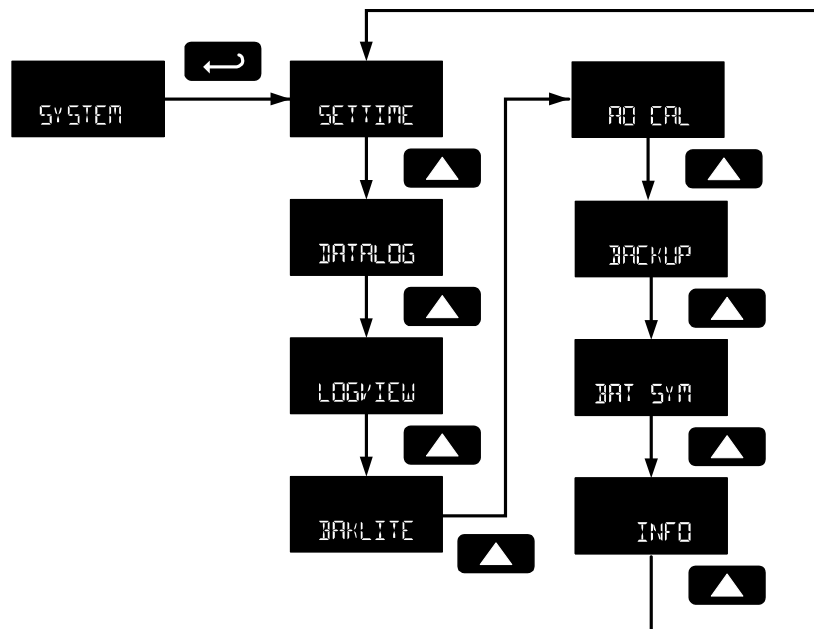
Custom Menu Parameters

Display	Parameter/Menu	Action
NONE	<i>None</i>	Set no menu position display
INPUT	<i>Input</i>	Set to show <i>Input</i> menu
KFACTOR	<i>K-Factor</i>	Set to show <i>K-Factor</i> menu
UNITS	<i>Units</i>	Select standard units or custom unit/tag
DECIMAL	<i>Decimal</i>	Set to show <i>Decimal</i> menu
DISPLAY	<i>Display</i>	Set to show <i>Display</i> menu
A OUT	<i>Analog out</i>	Set to show <i>Analog Output</i> menu
RATE.DP	<i>Rate decimal Point</i>	Set to show <i>Rate Decimal Point</i> menu
TOTAL.DP	<i>Total decimal point</i>	Set to show <i>Total Decimal Point</i> menu
GRTOT.DP	<i>Grand total decimal point</i>	Set to show <i>Grand Total Decimal Point</i> menu
SCALE	<i>Scale</i>	Set to show <i>Scale</i> menu
CAL	<i>Calibrate</i>	Set to show <i>Calibrate</i> menu
T BASE	<i>Time base</i>	Set to show <i>Time Base</i> menu
T FACTR	<i>Total conversion factor</i>	Set to show <i>Total Conversion Factor</i> menu
T RESET	<i>Total reset</i>	Set to show <i>Total Reset</i> menu
GTFACTR	<i>Grand total conversion factor</i>	Set to show <i>Grand Total Conversion Factor</i> menu
GTRRESET	<i>Grand total reset</i>	Set to show <i>Grand Total Reset</i> menu
PASS	<i>Password</i>	Program password to lock meter parameters
PASS T	<i>Total password</i>	Program password to prevent total reset
PASS GT	<i>Grand total password</i>	Program password to prevent grand total reset. May <i>permanently</i> lock out grand total related parameters and reset
OUTPUT	<i>Output</i>	Set to show <i>Output</i> menu
OUT 1	<i>Out 1</i>	Assign function of pulse output 1
OUT 2	<i>Out 2</i>	Assign function of pulse output 2
DATALOG	<i>Data Log</i>	Enter <i>Data Log</i> menu

LOGTIME	Log Time	Set daily data log times
INTERVL	Interval	Set interval log times
LOGVIEW	Log View	Enter Log View menu
PASSWORD	Password	Set to show Password menu
SETUP	Setup	Set to show Setup menu
ADVANCE	Advance	Set to show Advanced menu
SYSTEM	System	Set to show System menu

System (SYSTEM)

The system function is used to set the real time clock, set daily data log times, enable/disable the backlight, access analog output controls used in troubleshooting, store, restore, and backup restore feature, enable/disable the battery power alert symbol on the display, and review basic system identification information.



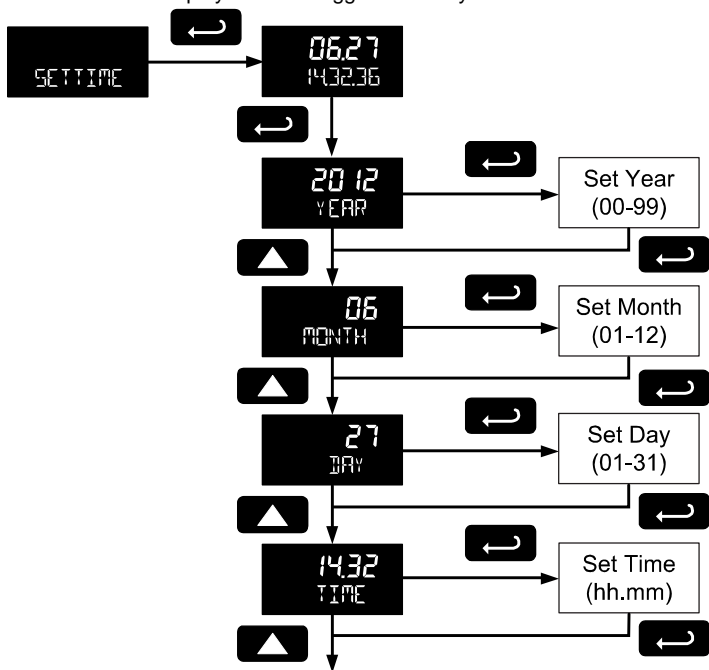
Set Real Time Clock (SETTIME)

The real time clock is used to trigger data log events and is recorded at every logged data point. The menu displays the date and time.



Figure 11. Date Display Example

The above display example shows the date to be June 27, at 14 hours, 32 minutes, and 36 seconds. The display date will toggle with the year.



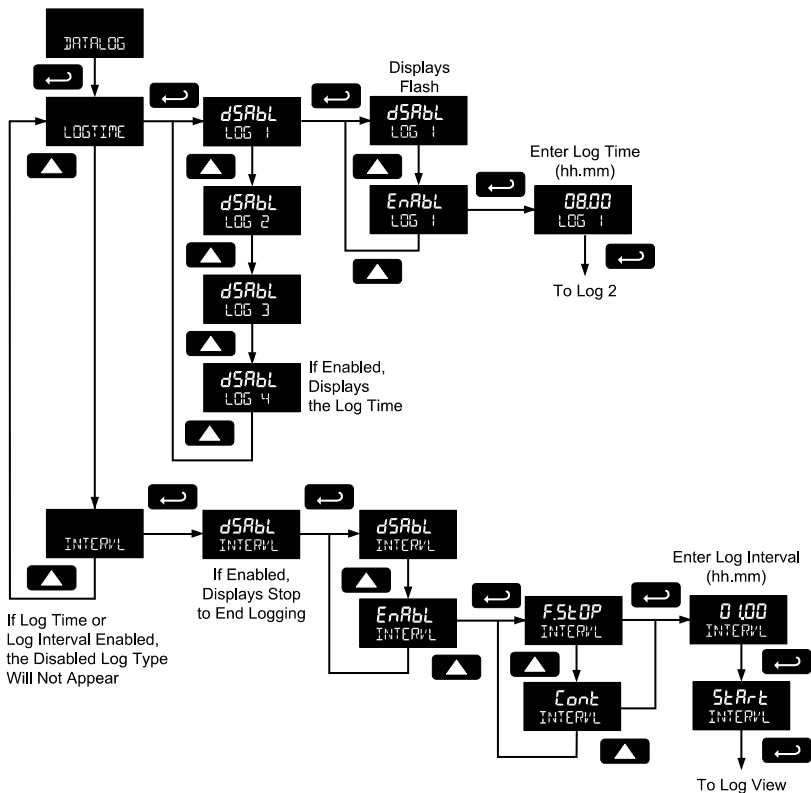
To Datalog

The year, month, day, hour, and minute may all be set by the user. The real time clock will need to be reset if external power and battery power are lost.

Changing the time (hours and minutes) will reset the seconds clock to 0.

Data Log Setup (DATALOG)

The *Data Log* menu is used to setup and enable the data log functions. The meter may contain up to 1024 records, each containing date, time, rate, total, grand total, and log number.



There are two ways to configure the time when a data log is recorded. The *Log Time* feature allows up to 4 data logs to be recorded each day, at specific times. The *Log Interval* feature allows a data log to be recorded each time a time interval has passed.

Only the *Log Time* or *Log Interval* may be active at once. While one type of data logging has been enabled, the other menu will be inaccessible.

Log Time Setup (LOGTIME)

The *Log Time* menu contains four log points (LOG 1 to LOG 4). Each log time is configured separately. For each daily log time desired, enable a log, and set the log time for the hours and minutes the log is to be recorded. The time is set in real-time, based on the real time clock setup.

The *Log Time* feature will roll-over, deleting the oldest data logs (in blocks of 8) when the log is full and new logs must be recorded. This makes it the most useful for long-term data logging.

Interval Setup (INTERVL)

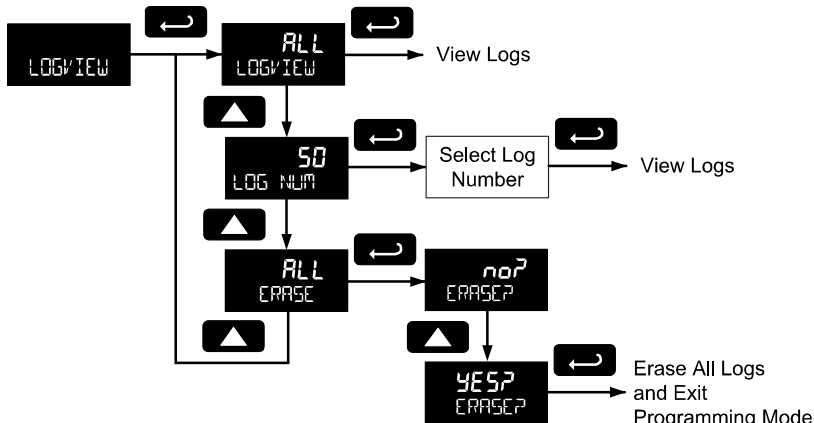
The *Interval* menu sets the time interval for data logging. Every time interval, one data point will be recorded. To enable interval data logging, enable the feature, and set the interval time for the hours and minutes between each log.

If set to *STOP*, the *Log Interval* feature will not delete old data, and data logging will stop when the log is full. This makes it the most useful for short periods and logging specific functions.

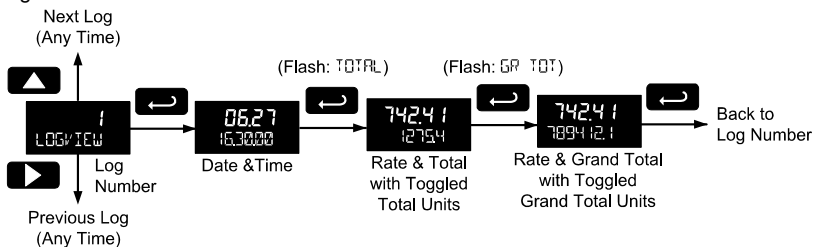
If set to *CONT*, the *Log Interval* feature will delete the old data when full and continue logging data. The *Log Interval* feature will roll-over, deleting the oldest data logs (in blocks of 8) when the log is full and new logs must be recorded. This makes it the most useful for long-term data logging.

View Data Log (LOGVIEW)

The *Log View* menu allows on-screen browsing of the data log points stored in the meter. Data points may be navigated by viewing the log number, date and time, total, or grand total amounts. A known log may be jumped to immediately, avoiding a lengthy search for data. All logs may be deleted with the **ERASE** command, requiring confirmation.



Once the log records are displayed, use the **Up** and **Right** arrows to change the log entry being viewed. The **Enter** key changes the displayed information for the same log.



Backlight (BACKLITE)

The *Backlight* menu is used to enable or disable the backlight. This feature is particularly important for the battery-powered models with momentary backlight. This feature is not available for models with a loop output powered backlight.

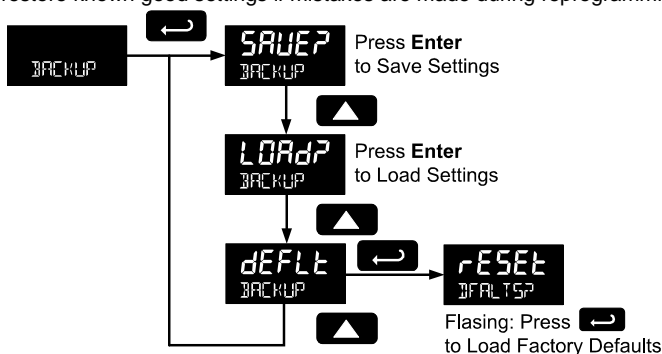
Analog Output Calibration (AO CAL)

This feature is only used at the factory for diagnostic purposes. It is not recommended to access this menu without instruction from technical support.

Backup & Restore (BACKUP)

The meter saves all parameter settings and no reprogramming is necessary when power is lost and restored to the meter. The total and grand totals are saved during a power loss. Only the maximum and minimum displays are reset when power is lost.

The features are used to save and restore programmed settings. Programming can be restored to a known saved good configuration, or to factory defaults. This is useful to restore meters whose programming has been altered in unknown ways, or to quickly restore known good settings if mistakes are made during reprogramming.



The *save* feature (**SAVEP**) saves all current parameter settings into the memory of the backup restore. The backup restore feature is loaded with factory default settings until a new configuration is saved.

The *load* feature (**LOADP**) restores all parameters to the programmed values stored in backup restore memory. The *load* feature will not affect the current password settings or allow the editing of permanently locked parameters due to the enabling of the non-resettable grand total feature. See Non-Resettable Grand Total described on page 69.



CAUTION

Once meter parameters have been saved to memory by the backup restore feature there is no recovering the previously saved settings.

Once parameters have been loaded into the meter from the backup restore feature there is no recovering the previously programmed settings.

The *default* feature (**DEFLT**) restores all parameters to the factory default values. Factory default reset does not change the saved backup restore settings, override passwords, or edit parameters locked by a permanent non-resettable grand total. See Non-Resettable Grand Total, as described on page 69.

Information (INF0)

The *Information* menu is part of the *System* features menu. It shows software identification number, version number, and extended model number. To view this information:






Go to the *Information* menu (INF0) and press **Enter** button.

Continue pressing **Enter** to scroll through the displays.

Following the information display, the meter will exit the *Advanced* features menu and return to run mode.

OPERATION

Front Panel Buttons Operation

Symbol	Description
	<ul style="list-style-type: none">• Hold the Menu through-glass button when in power save mode (display will show ) to awaken through-glass buttons.• Press the Menu button to enter Programming Mode.• Press the Menu button during Programming Mode to return to the previous menu selections.• Hold the Menu button for 1.5 seconds at any time to exit Programming Mode and return to <i>Run Mode</i>.• Press and hold the Menu button for 3 seconds to access the Advanced Features of the meter.
	<ul style="list-style-type: none">• Press the Right arrow button to move to the next digit or decimal position during programming.• Press Right to go backward through most selection menus.• Press Reset to reset the total, or values displayed in the bottom display (grand total, max, or min). Press Enter after Reset to confirm the reset.
	<ul style="list-style-type: none">• Press Display when in Run mode to display the grand total, again to display the maximum, and again to display the minimum reading since last reset. These displays will time out in 12 seconds or press Display until total is displayed in the lower display. Press Enter to lock this display and disable the 12 second time out.• Press the Up-arrow button to scroll forward through the menus, decimal point, or to increment the value of a digit.
	<ul style="list-style-type: none">• Press the Enter button to access a menu or to accept a setting.• Press Enter to lock the grand total, maximum, or minimum value on the lower display, and disable the 12 second time out.• Press Enter while the grand total, max, or min reading is locked on the lower display to return to run mode.• Press Enter to acknowledge alarm (if enabled). <p>Press Enter to lock display of grand total, Max or Min readings (disables 10 second timeout).</p>

The following through-glass button information is reprinted from Through-Glass Button Operation on page 21.

Through-Glass Button Operation

To actuate a button, press and remove one finger to the glass directly over the marked button area. Remove finger to at least 4 inches away from the glass in between button activations. through-glass and mechanical buttons may be held to cycle through menus or digits in place of repeatedly pushing a button.



Through-Glass Power Save Mode

Through-glass buttons enter a power saving mode after three minutes of inactivity. This mode is indicated by a pause symbol (⏸) appearing in the lower right of the display. Only the MENU button is monitored in this mode. To activate the through-glass buttons, press and hold the menu button for up to five seconds. The display will read AWAKE, and the through-glass buttons will be fully enabled.

Through-Glass Disabled Mode

When the cover is removed, the four mechanical buttons located next to the sensors may be used. The sensors are disabled when a mechanical button is pressed and will automatically be re-enabled after 60 seconds of inactivity. The through-glass power symbol (⏸) will blink in the lower right of the display if the buttons are disabled due to a mechanical pushbutton being pressed.



IMPORTANT

Through-glass buttons will not work if two or more buttons are detected as being pressed simultaneously. As a result, be careful to avoid triggering multiple buttons or reaching across one button location to press another.

Through-Glass Button Tips and Troubleshooting

The through-glass buttons are designed to filter normal levels of ambient interference and to protect against false triggering, however it is recommended that the through-glass buttons be turned off (slide THRU-GLASS BUTTONS switch to OFF) if there is an infrared interference source in line-of-sight to the display or if the buttons are not needed.

Through-Glass Button Tips:

- To the extent possible, install the display facing away from sunlight, windows, reflective objects and any sources of infrared interference.
- Keep the glass window clean.
- Tighten the cover securely.
- Use a password to prevent tampering.
- If the cover has not been installed and secured tightly, it may take a moment for the through-glass buttons to properly self-calibrate when the cover is tightened.

After all connections have been completed and verified, connect the ribbon cable to the display module, fasten the display module to the base, install enclosure cover, and then apply power.

Through-Glass **Button Equalize Delay**

The through-glass buttons are designed to constantly recalibrate for ambient conditions. When the cover position is changed, the cover is removed, or an object is removed that was placed over the front window, it may take a moment for the through-glass buttons to recalibrate to the change in conditions.

Allow up to 2 minutes for the through-glass buttons to recalibrate to new conditions in these cases where the cover position was changed, or the front window is being unblocked.

Grand Total Reading (Gr TOTAL)

The grand total is a separate total that is not reset when the total is reset. This allows the complete total to be tracked by the grand total, while individual batch, or daily totals are reset regularly.

To display the grand total, press the **Up/Display** button. The display will read **GrTOTAL**, and the **GT** symbol will appear indicating the grand total is being displayed on the bottom display. After 10 seconds, the bottom display will return to showing total. To lock the grand total on the display, press **Enter**. Pressing **Menu** at any time will return to normal run mode.

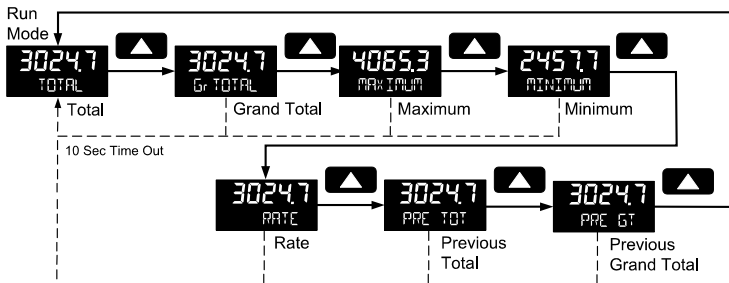
Note: If the Display menu has been setup to display the grand total on the bottom display, pressing the **Up/Display** button will display the maximum and minimum readings followed by the total.


Toggle Lower Display Parameter

The maximum and minimum (peak & valley) readings reached by the rate are stored in the meter since the last reset or power-up. The meter shows **MAXIMUM** or **MINIMUM** to differentiate between run mode and max/min display. The previous total and grand total value reached prior to being reset are also stored.


To display the maximum and minimum readings or the previous total and grand total use **Up/Display** button to cycle the bottom display. Maximum and minimum are displayed after the grand total.

Press the **Enter** button to remain in Max/Min/Previous display mode. If **Enter** is not pressed, the Max/Min/Previous display readings will time out after ten seconds. The meter will return to display the actual reading. Pressing **Menu** at any time will return to normal run mode.



Press **Display** to Cycle Total, Grand Total, Max,  Min, Rate, Previous Total and Previous Grand Total

Press **Enter** to Hold Selected Display 

Press **Reset** to Reset Selected Display 

Press **ENTER** to Exit Display on Hold 

Resetting the Total (RESET TOTAL)

If manual *Total Reset* is enabled in the *Program* menu, the total may be reset by pressing the **Reset** button and using the **Enter** button to confirm the reset.

Additionally, if programmed for manual reset, the total may be reset using a normally open pushbutton connected across the terminals RST and COM.

Note: *The total is cleared immediately when Enter button is pressed. Totalization will then continue, even if the Enter button or external reset button continues to be held down/triggered.*

Resetting the Grand Total (RESET Gr TOT)

If manual *Grand Total Reset* is enabled in the *Program* menu, the grand total may be reset using the **Reset** button.

To reset the grand total, display the grand total by pressing the **Up/Display** button. While grand total is being displayed, press the **Reset** button. Confirm the reset with the **Enter** button.

Resetting Max/Min Readings (RESET MAXIMUM, MINIMUM)

The maximum and minimum readings may be reset by pressing the **Reset** button while displaying either the maximum or minimum. The display will show **RESET** to verify the reset of maximum or minimum value.

The maximum and minimum must be reset individually.

Reset Meter to Factory Defaults

Reset to factory defaults will restore most meter parameters to their factory default setting.

When the parameters have been changed in a way that is difficult to determine what's happening, it might be better to start the setup process from the factory defaults.

Factory default reset does not change the saved backup restore settings, override passwords, or edit parameters locked by a permanent non-resettable grand total. See *Non-Resettable Grand Total*, as described on page 69.

Instructions to load factory defaults can be found in the *Backup & Restore (BACKUP)* menu on page 78.

Factory Defaults & User Settings

The following table shows the factory setting for most of the programmable parameters on the meter. Next to the factory setting, the user may record the new setting for the particular application.

Model: _____ S/N: _____ Date: _____



Parameter	Display	Default Setting	User Setting
Input Type	<i>INPUt</i>	Active	
K-Factor units	<i>FUn t</i>	Pulses/Gallon	
K-Factor	<i>FRctR</i>	1.0000	
Rate Time Base	<i>tBASE</i>	Second	
Rate Unit	<i>rREtU</i>	Gallons/second	
Total Unit	<i>tot U</i>	Gallons	
Total Multiplier	<i>mULt</i>	x1	
Grand Total Unit	<i>GtotU</i>	Gallons	
Grand Total Multiplier	<i>mULt</i>	x1	
Rate Decimal Point	<i> </i>	1 place	
Total Decimal Point	<i> </i>	1 place	
Grand Total Decimal Point	<i> </i>	1 place	
Total Conversion Factor	<i>totCF</i>	N/A (Only valid with custom units)	
Grand Total Conversion Factor	<i>GrtCF</i>	N/A (Only valid with custom units)	
Top Display	<i>tOP</i>	Rate	
Bottom Display	<i>bOtOm</i>	Total	
Advanced Features			
Total Reset	<i>t rSt</i>	Manual - Enabled	
Grand Total Reset	<i>t rSt</i>	Manual - Enabled	
Analog Out Value	<i>R out</i>	Rate	
Output Display 1	<i>dSPt 1</i>	0000.0	
Output 1	<i>Out 1</i>	4.000	
Output Display 2	<i>dSPt 2</i>	1000.0	
Output 2	<i>Out 2</i>	20.000	

Parameter	Display	Default Setting	User Setting
Scale Enable	SCALE	No – Use K-Factor	
Scale/Cal # Points	POINTS	2 (N/A)	
Scale Unit	UNIT	Pulses/Gallon (N/A)	
Scale Unit Time Base	TIME	Second (N/A)	
Scale/Cal Input 1	INPT1	00000 (N/A)	
Scale/Cal Display 1	DISP1	0000.0 (N/A)	
Scale/Cal Input 2	INPT2	1000 (N/A)	
Scale/Cal Display 1	DISP2	1000.0 (N/A)	
Parameter Lock Password	PASS	00000 (unlocked)	
Total Reset Password	PASS T	00000 (unlocked)	
Grand Total Reset Password	PASS GT	00000 (unlocked)	
Output 1	OUT 1	Off	
Output 2	OUT 2	Off	
Low Gate	LO GATE	1	
High Gate	HI GATE	2	
Filter	FILTER	High Speed	
Cutoff	CUTOFF	0 (disabled)	
Battery Symbol	BAT SYM	Disabled	
Modbus Slave ID	SLV ID	247	
Baud Rate	BAUD	9,600 bps	
Time Delay	TDLY	10 ms	
Parity	PRTY	Even	
Additional Parameters & Notes			

TROUBLESHOOTING

The rugged design and the user-friendly interface of the meter should make it unusual for the installer or operator to refer to this section of the manual. If the meter is not working as expected, refer to the recommendations below.

Troubleshooting Tips

Symptom	Check/Action
No display or faint display	Check power connection. Press and hold Menu key for 5 seconds to check for Standby mode. If "WAKEUP?" is displayed, press the Enter key to awaken the meter from Standby mode.
Through-glass buttons do not respond	If  is displayed, hold Menu through-glass button to leave power save mode. If  is flashing, wait 60 seconds to leave mechanical pushbutton lockout mode. If the cover was recently tightly secured, you may need to wait up to 2 minutes for buttons to self-calibrate to the new cover position due to glass reflection. Verify Through-Glass Button switch on display module is in ON position. Sunlight can interfere with the sensors. It is recommended to shield the window while operating the buttons by standing so as to block direct sunlight.
Rate display unsteady	Increase low gate setting in <i>Advanced</i> menu.
Meter displays error message during calibration (ERROR SPAN)	Verify minimum input span requirements
Meter flashes 99999	Check input signal is within scaled range of 99999.
Display stuck displaying MAXIMUM or MINIMUM	Press Enter (Unlock) to exit Max/Min display
Display response is too slow	Check if gate settings can be lowered.
If the display locks up or the meter does not respond	Perform hard reset by removing the display module or by removing external loop or DC power.
Backlight does not appear.	Backlight is intended for viewing assistance in dim lighting. It may not be noticeable under good lighting conditions. Battery powered models turn off the backlight after ten seconds of button inactivity.
Other symptoms	Call Technical Support for assistance.

Note: Certain sequences of events can cause unexpected results. To solve these issues, it is best to start fresh from factory defaults and map changes ahead of time, rather than at random.

MOUNTING DIMENSIONS

All units: inches [mm]

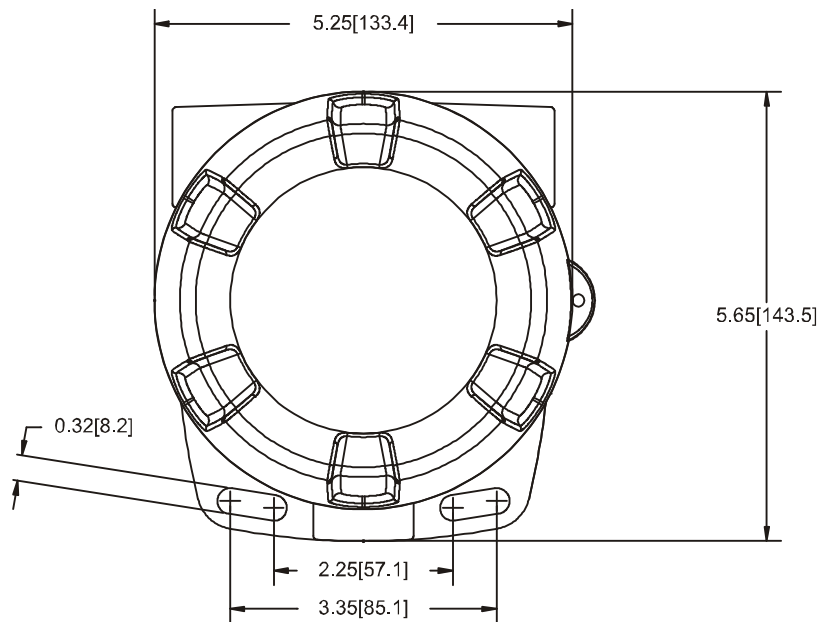


Figure 12. Enclosure Dimensions – Front View

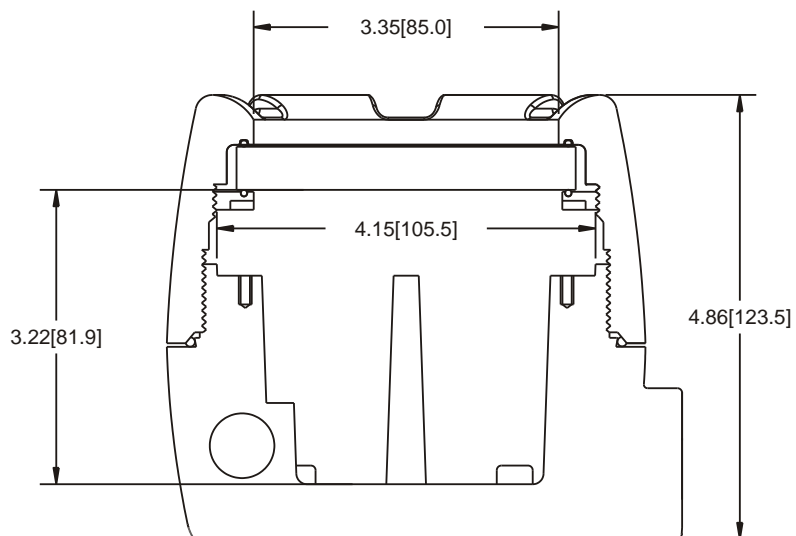


Figure 13. Enclosure Dimensions – Side Cross Section View

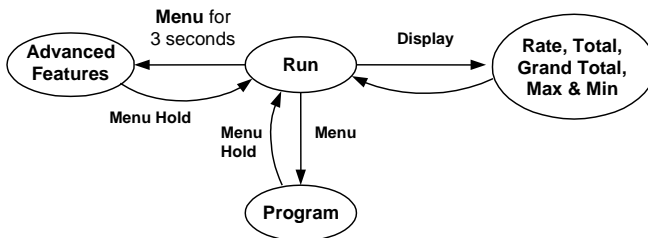
QUICK USER INTERFACE REFERENCE

Pushbutton	Function
Menu	Go to Programming mode, back out one level of programming. Hold to enter Advanced Features mode. Leave grand total/max/min mode.
Right Arrow	Move to next digit or decimal point position. Go to <i>reset</i> menu. Return to last programming menu.
Up Arrow	Move to next selection or increment digit. Enter grand total/max/min display mode.
Enter	Accept selection/value and move to next selection. Acknowledge Alarm.

Cycle Rate, Total, Grand Total, and Max/Min on Lower Display

While in Run Mode, pressing **Display** will cycle the rate, total, grand total, and max/min display. In this mode, the display will show the rate, total, grand total, maximum, or minimum values since last reset when they are not selected as the top or bottom display. The grand total, max, or min will display for 10 seconds. Press **Enter** while displaying the rate, total, grand total, max, or min, to disable the 10 second time-out and continuously display the rate, total, grand total, max, or min. Press **Enter** again to disable this display lock.

Operational Modes



EU DECLARATION OF CONFORMITY

Issued in accordance with ISO/IEC 17050-1:2004 and ATEX Directive 2014/34/EU.

We,

Precision Digital Corporation
233 South Street
Hopkinton, MA 01748 USA

as the manufacturer, declare under our sole responsibility that the product(s),

Model PD6830 Pulse Input Rate/Totalizer

to which this declaration relates, is in conformity with the European Union Directives shown below:

2014/35/EU	Low Voltage Directive
2014/34/EU	ATEX Directive
2014/30/EU	EMC Directive
2011/65/EU	RoHS Directive

This conformity is based on compliance with the application of harmonized or applicable technical standards and, when applicable or required, a European Union notified body certification.

Standards:

EN 55022:2007	EN 61000-6-2:2005	EN 60079-0:2009
EN 61000-6-4:2004	EN 60079-1:2007	EN 61010-1:2001
EN 60079-31:2009	EN 61326:2006	

The standards EN 55022:2007, EN 60079-0:2009, EN 60079-1:2007, EN 60079-31:2009, EN 61000-6-4:2004, EN 61010-1:2001, and EN 61326:2006 are no longer harmonized. The requirements of these standards have been checked against the harmonized standard EN 55022:2010, EN 60079-0:2012+A11:2013, EN 60079-1:2014, EN 60079-31:2014, EN 61000-6-4:2007+A1:2011, EN 61010-1:2010, and EN 61326:2013 and there were no major technical changes affecting the latest technical knowledge for the products listed above.

EC Type Examination Certificate: Sira 10ATEX1116X

Product Markings:



II 2 G D
Ex d IIC T6 Gb
Ex tb IIIC T85°C Db IP68
Tamb = -40°C to +75°C

ATEX Notified Body for EC Type Examination Certificate: Sira Certification Service, NB 0518
Unit 6, Hawarden Industrial Park
Hawarden, Deeside, CH5 3US, UK

ATEX Quality Assurance Notification No.: SIRA 10 ATEX M462

ATEX Notified Body for Quality Assurance: Sira Certification Service, NB 0518
Unit 6, Hawarden Industrial Park
Hawarden, Deeside, CH5 3US, UK

Signed for and on behalf of Precision Digital Corporation:

Name: Jeffrey Peters
Company: Precision Digital Corporation
Title: President
Date: 02/12/2018



Document No: DoC PD6830 {021218}



TEKMATION LLC reserves the right to change the designs and/or materials of its products without notice. The contents of this publication are the property of TEKMATON and cannot be reproduced by any other party without written permission. All rights reserved. Copyright © 2016 TEKMATON, LLC
DOC#TEK/TPS/MNL/78018/240520/0.1
TEKMATION LLC



www.tek-trol.com

Tek-Trol is a fully owned subsidiary of TEKMATON LLC. We offer our customers a comprehensive range of products and solutions for process, power and oil & gas industries. Tek-Trol provides process measurement and control products for Flow, Level, Temperature & Pressure Measurement, Control Valves & Analyzer systems. We are present in 15 locations globally and are known for our knowledge, innovative solutions, reliable products and global presence.

Tek-Trol LLC

796 Tek Drive Crystal Lake, IL 60014 USA
Tel.: +1 847 857 6076 Fax: +1 847 655 6147
Email: tektrol@tek-trol.com
www.tek-trol.com